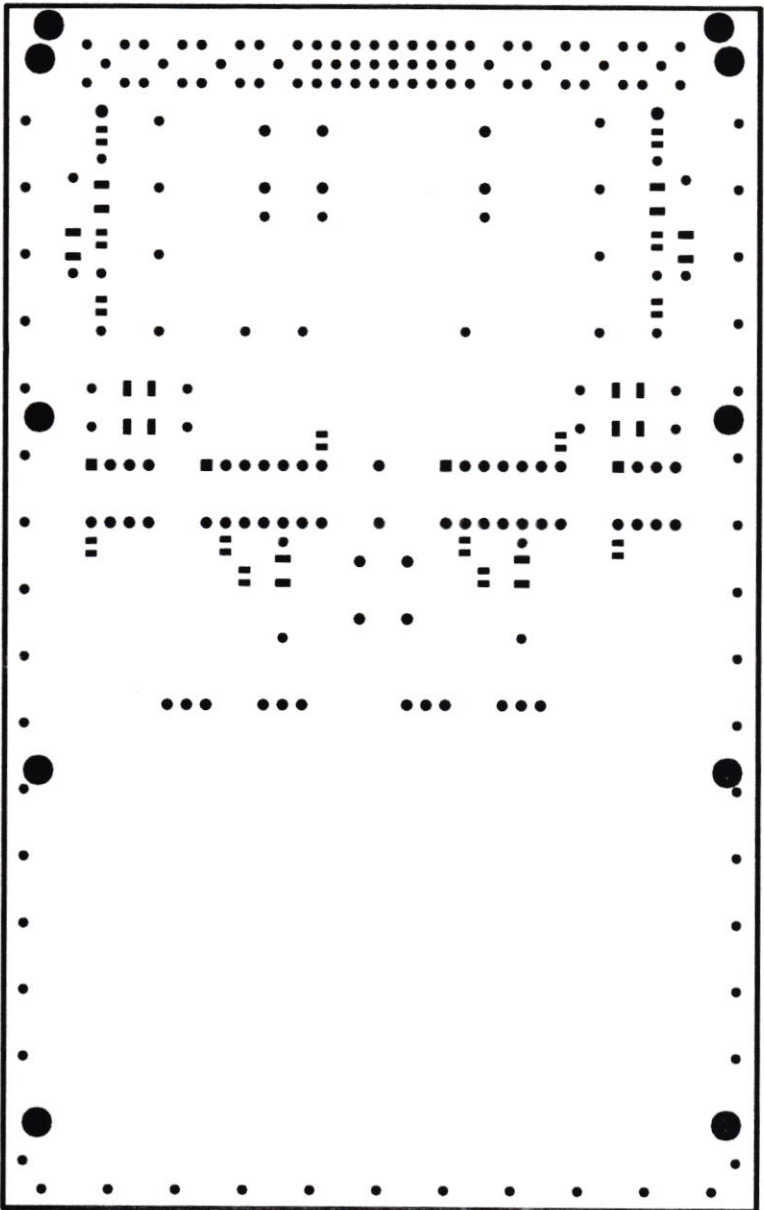


GSI RESCON_LSM1
10-DEC-1992 GSI-SV

RESCON

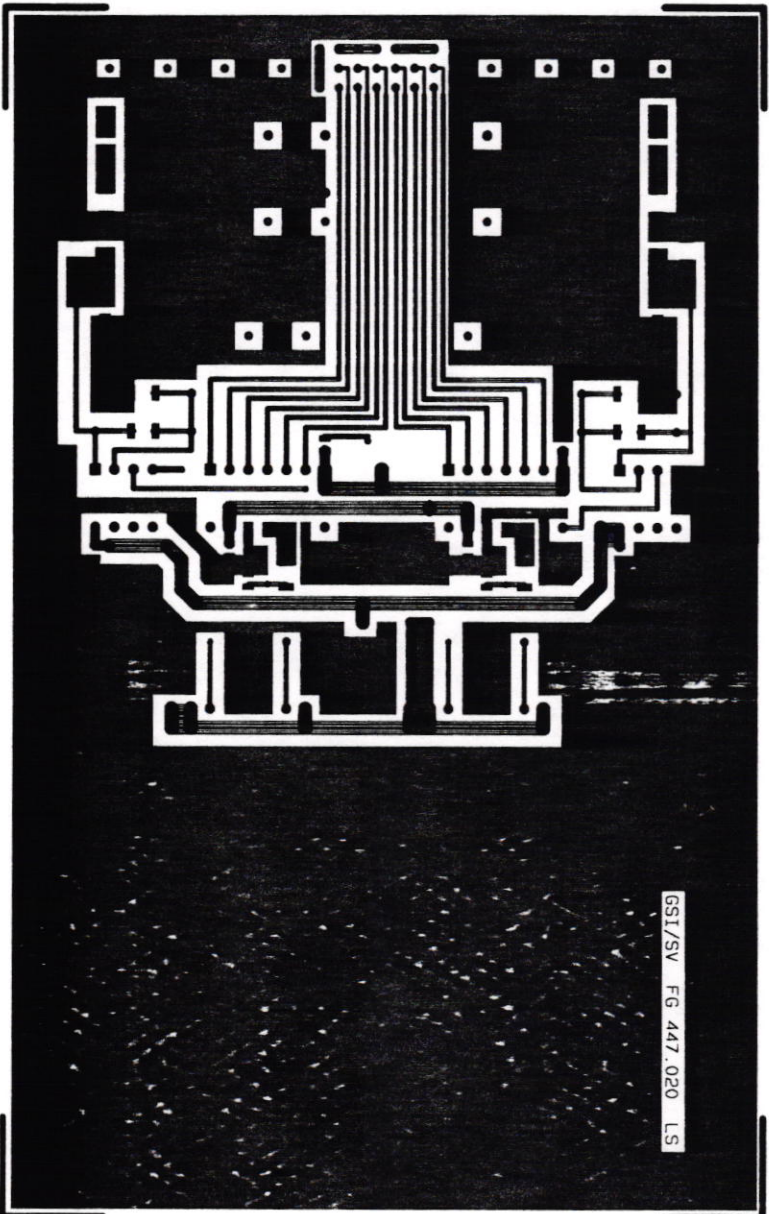
FG 447.020



GSI RESCON L SM2
10-DEC-1992 GSI-SV

RESCON

FG 447.020



GSI/SV FG 447.020 LS



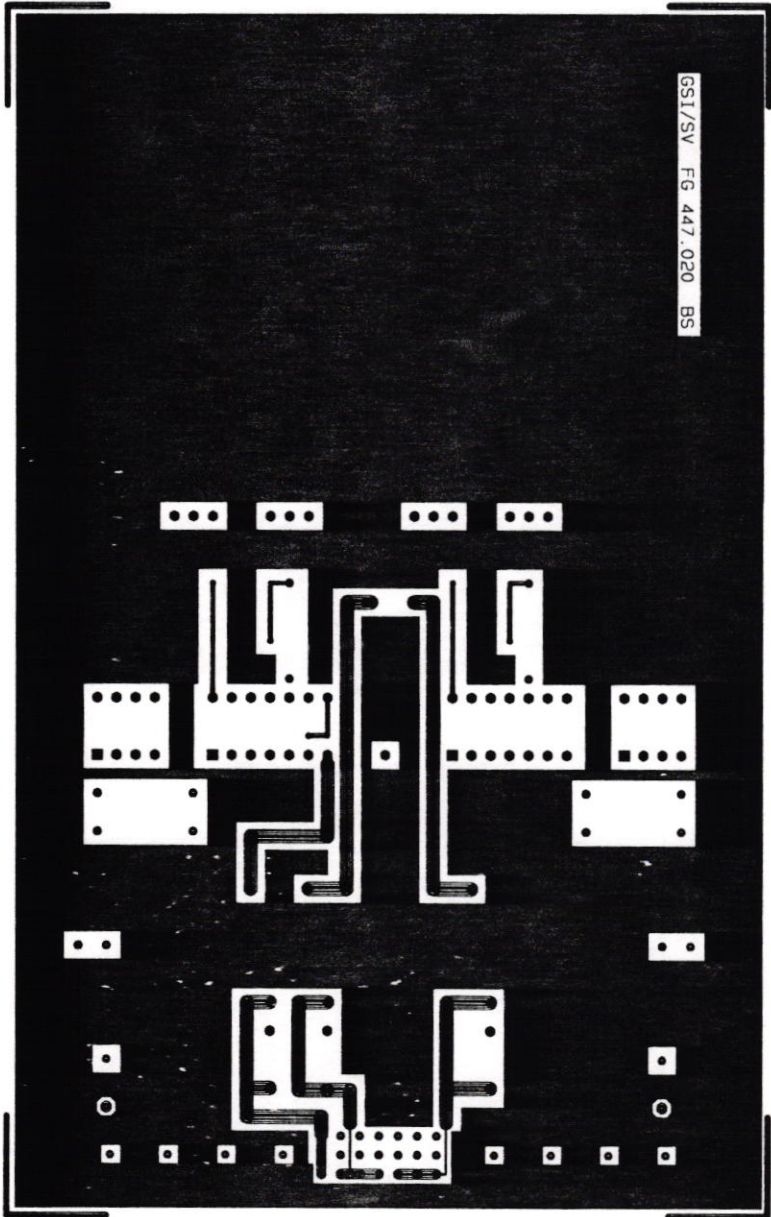
GSI RESCON2
10-DEC-1992 GSI-SV

RESCON

FG 447.020



GSI/SV FG 447.020 BS



GSI RESCON1
10-DEC-1992 GSI-SV

RESCON

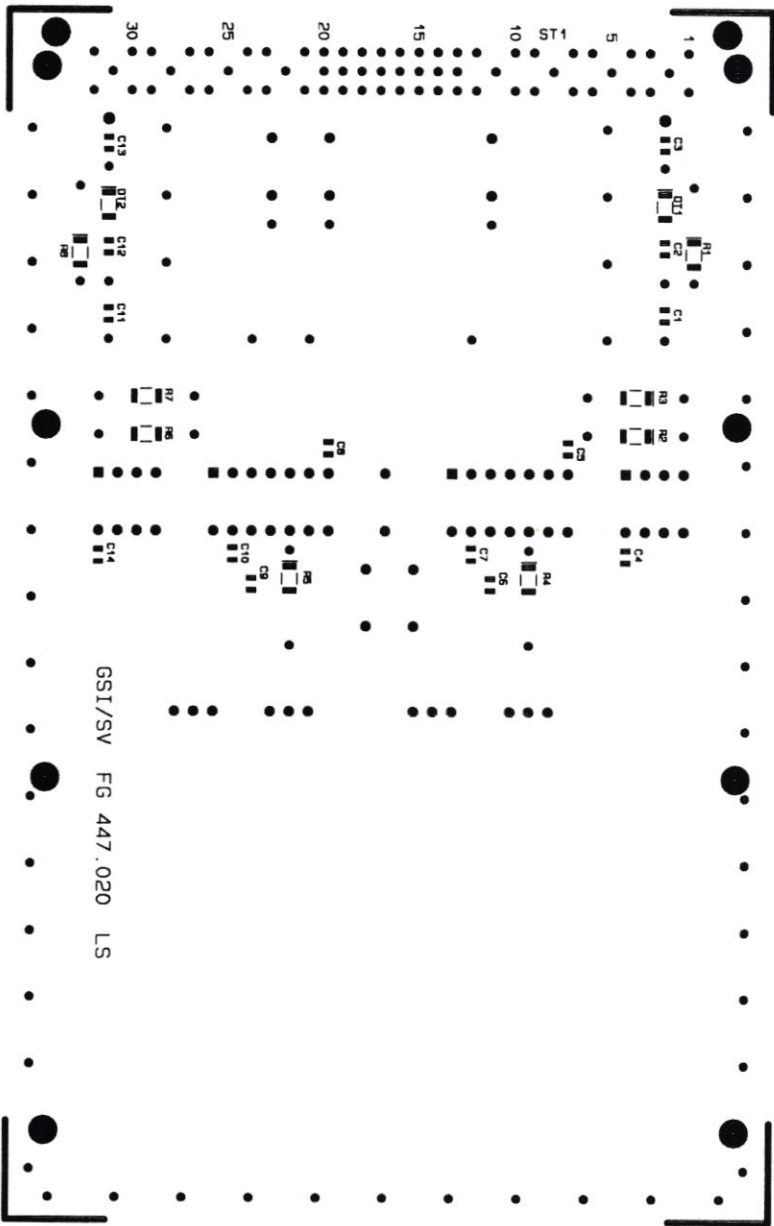
FG 447.020

E L E K T R . S T U E C K L I S T E

*RM: 1 EINHEIT = 2.54MM

| ST. | BAUTEIL-BEZEICHNUNG | WERT/TYP | RM | HERSTELLER | LG-NR. | BEMERKUNGEN |
|-----|------------------------------|--------------|----|------------|--------|---|
| 2 | IC-SOCKET | 8-POLIG | | | 13 137 | DIP8 ZUM LOETEN |
| 2 | IC-SOCKET | 14-POLIG | | | 13 322 | DIP14 ZUM LOETEN |
| 10 | C1, C4, C5, C6, C7 | 100N | | | | CHIP-KONDENSATOR 0805 |
| | C8, C9, C10, C11, C14 | | | | | |
| 4 | C2, C3, C12, C13 | 680P | | | | CHIP-KONDENSATOR 0805 |
| 6 | CK1, CK2, CK3, CK4, CK5, CK6 | 0.68UF | 3 | | 11 004 | MKS-KONDENSATOR 0.68UF/63V |
| 2 | DT1, DT2 | BB619A | | PHILIPS | | SILICIUM-ABSTIMMDIODE |
| 2 | IC2, IC3 | DAC-01 | | PMI | | 6-BIT VOLTAGE OUTPUT D/A CONVERTER |
| 2 | IC1, IC4 | LM358 | | | | 2 BIFET-OPERATIONSVERSTAERKER |
| 2 | IN1, IM5 | 10UH | 6 | | 12 107 | INDUKTIVITAET 10UH |
| 3 | IN2, IM3, IM4 | 14UH | 6 | | 12 101 | INDUKTIVITAET 14UH RM=15.24MM |
| 2 | P2, P4 | 500R | | | 10 803 | POTI-BECKMAN 66WR-500R/0.10W/5% |
| 2 | P1, P3 | 5K | | | 10 806 | POTI-BECKMAN 66WR-5K/0.10W/5% |
| 4 | R2, R3, R6, R7 | 10K | | | | CHIP-WIDERSTAND/KOEHLE 1/10W 5% |
| 2 | R4, R5 | 39K | | | | CHIP-WIDERSTAND/KOEHLE 1/10W 5% |
| 2 | R1, R8 | 3K | | | | CHIP-WIDERSTAND/KOEHLE 1/10W 5% |
| 1 | ST1 | ST24-8P | | ERNI | | MESSERLEISTE STV-M 24/8-M-abc, NR.: 593 817 |
| 1 | LEITERPLATTE | FG 447.020 | | | | |
| 6 | ZYLINDERKOPFSCHRAUBEN | M2, 5X4 | | | | BEF. LEITERPLATTE AN GEHAEUSE (CADMIERT) |
| 2 | ZYLINDERKOPFSCHRAUBEN | M2, 5X10 | | | 62 440 | BEF. VG-LEISTE AN GEHAEUSE (CADMIERT) |
| 1 | FRASKASSETTE | 3HE/8TE | | MTS | | BEST.-NR.: FK1-8-3-GN-1 |
| 1 | FRONTPLATTE | 3HE/8TE | | SCHROPF | | ENV |
| 2 | KABELSTECKER | 11NN-50-3-13 | | SUHNER | | BEST.-NR.: AD542083 |
| | SEMI-RIGID-KABEL | 50 OHM | | ELSTEC | | TYP: CR151, CA. 2X 30CM |

GSI DARMSTADT BEZ.: RESCON
 GSI SV BEARB.: DATUM BLATT
 FG 447.020 GSI-SV 15. Mar. 1993 1 VON 1



GSI RESCONKON2
 10-FEB-1993 GSI-SV

RESCON

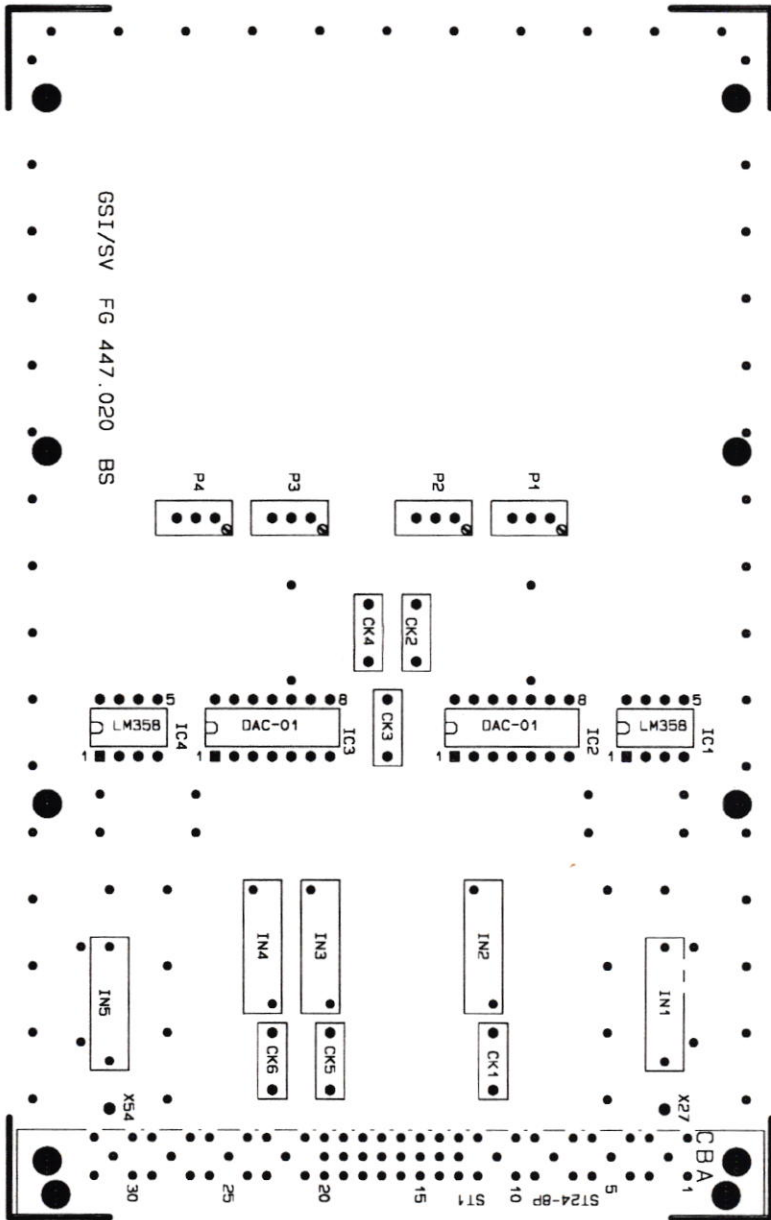
FG 447.020

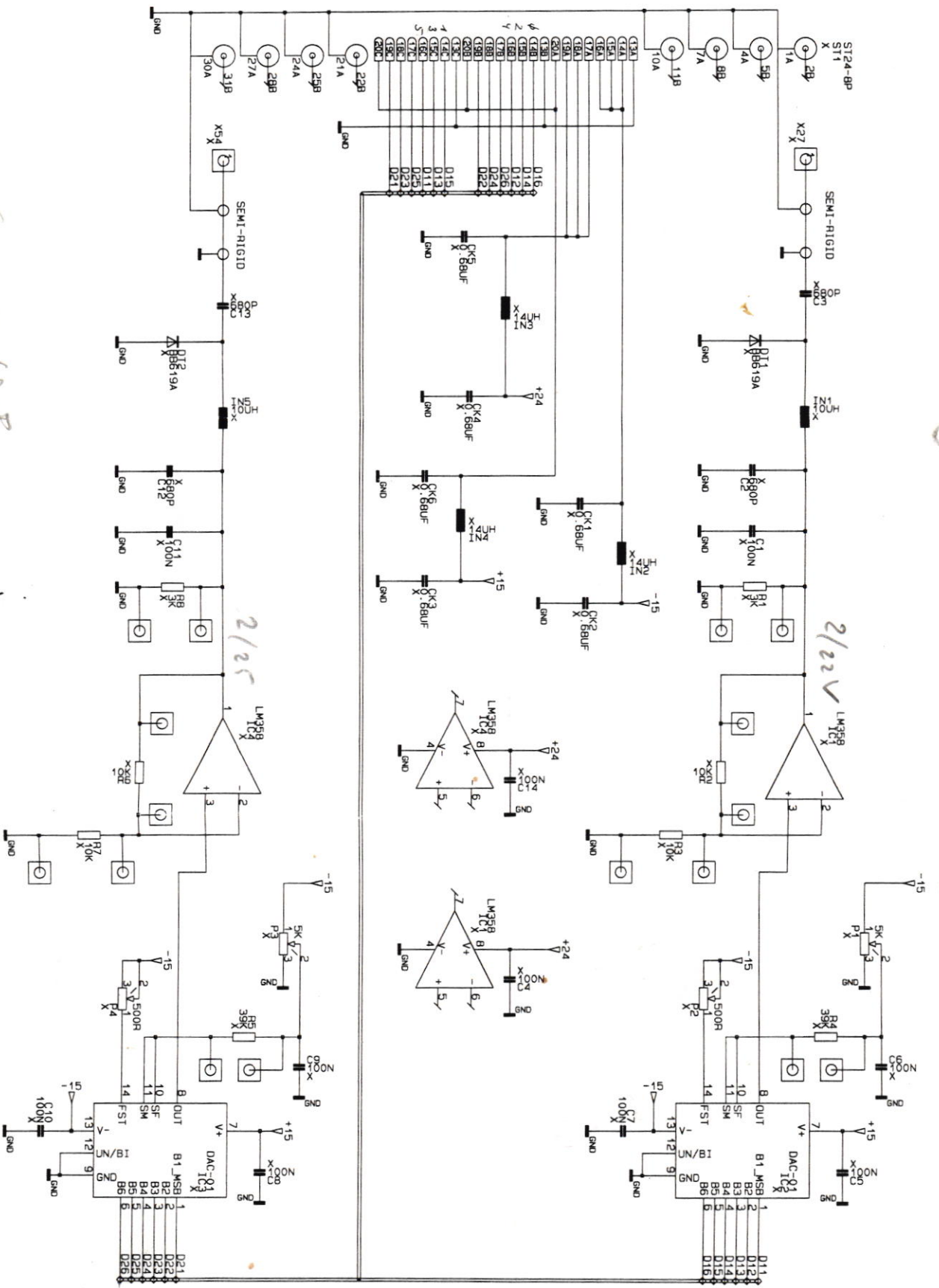
GSI/SV FG 447.020 LS

GSI RESCONKON1
10-FEB-1993 GSI-SV

RESCON

FG 447.020





Cvar = 60pF
Cvar = 30pF

2/25

2/22V

| RES/CON | | MASSTAB | |
|----------------------|-------|----------|---|
| ENTW. | LOOS | 10.12.92 | 1 |
| BEARB. | VOLTZ | 10.12.92 | 1 |
| GEPR. | | | |
| SCHOTTKY-PICKUP-ELE. | | BLATT | |
| GSI - DANKSTADT | | VON | |
| VERB. | | 1 | |
| FG 447.020.010 | | | |

RESICON

14, 15, 16 A -75V
 20 A, B, C +75V
 27, 28, 29 A +24V
 23 A, B, C T

DAC 1

BIT 0 14B

1 14C

2 15B

3 15C

4 16B

5 16C



Übung A7

DAC 2

BIT 0

17B

1 17C

2 18B

3 18C

4 19B

5 19C



Übung A30