

1

2

3

4

5

## TECHNICAL CHARACTERISTICS

MATERIAL  
 INSULATOR: PA 66  
 FLAMABILITY RATING: UL94-V0  
 COLOR: GREEN  
 METAL HOUSING: STEEL ZINC PLATED  
 TERMINAL SCREW: STEEL ZINC PLATING  
 TERMINAL SCREW SLOT TYPE: "+"  
 WIRE GUARD: STEEL ZINC PLATING

ENVIRONMENTAL  
 OPERATING TEMPERATURE: -40 UP TO 105°C  
 COMPLIANCE: LEAD FREE AND ROHS

ELECTRICAL  
 CURRENT RATING: 16A  
 WORKING VOLTAGE: 300VAC  
 WITHSTANDING VOLTAGE: 2KV  
 CONTACT RESISTANCE: 20 mOhm max

STANDARD  
 CERTIFIED E315414  
 CERTIFIED 40038804

MECHANICAL  
 SOLID WIRE: 24-12 AWG / 0.2-3.3MM<sup>2</sup>  
 STRANDED WIRE: 24-12 AWG / 0.2-3.3MM<sup>2</sup>  
 TORQUE: 4.5Lb-In / 0.45Nm

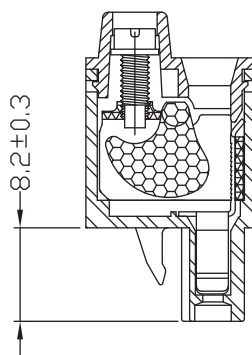
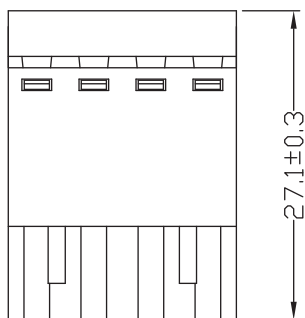
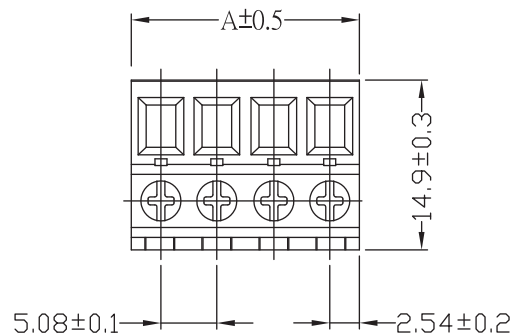
WIRE STRIPE LENGTH: 10MM  
 PITCH: 5.08MM

PACKAGING: BOX

SERIE 373B

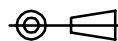
Pitch : 5.08mm(0.200inch)

Poles	A(mm)	A(inch)	Poles	A(mm)	A(inch)
2	10.16	0.400	15	76.20	3.000
3	15.24	0.600	16	81.28	3.200
4	20.32	0.800	17	86.36	3.400
5	25.40	1.000	18	91.44	3.600
6	30.48	1.200	19	96.52	3.800
7	35.56	1.400	20	101.60	4.000
8	40.64	1.600	21	106.68	4.200
9	45.72	1.800	22	111.76	4.400
10	50.80	2.000	23	116.84	4.600
11	55.88	2.200	24	121.92	4.800
12	60.96	2.400			
13	66.04	2.600			
14	71.12	2.800			



RoHS Compliant

PROJECTION:



GENERAL TOLERANCE

.X = +/- 0.2

.XX = +/- 0.15



APPROVAL: RJ

UNIT: MM

SCALE:

SHEET: 1/1

DRAW: MARVIN

DESCRIPTION: SERIE 373B - 5,08mm Vertical Cable Entry with Stamping  
 Clamp - 3,3 mm<sup>2</sup> Wire

WERI PART NO: 691 373 500 0xx B

SIZE

A4

REV	DATE	FILE	BY
B	02-JUN-14	VDE+REF CERTIF	AS
A	20-JUN-12	PDF	GG