

Copying of this document and giving it to others and the use of communication of the contents thereof are forbidden without express authority. Offenders are liable to the payment of damages. All rights are reserved in the event of the grant of a patent or the registration of a utility model or design.		Projection	Rev. No.	Rev.-Doc.-No.	Date	Name
			-	-	-	-
Gsi Helmholtzzentrum für Schwerionenforschung GmbH Planckstrasse 1, 64291 Darmstadt		Surfaces	For information			
		DIN ISO 1302	Weight	14,500 kg	Scale	1:2 (1:1) 1:5 (1:5)
Drawn Checked Approved		Dimensions without tolerance indication	Material	Size		
		DIN ISO 2768-mK EN ISO 13920-BF		A2		
Date: 26.01.2015 Name: Hartung, M.		Description		Sheet 1 of 1		
		Strahltransformator ESR-DT 1050				
Drawing No. BD-1019298-A-000		Rev.	Repl. for			
		-				
KF		Prev. Dwg.				

Copying of this Document, and giving it to others and the use of communication of the contents thereof, are forbidden without express authority. Offenders are liable to the payment of damages. All rights are reserved in the event of the grant of a patent or the registration of a utility model or design.



GSI Helmholtzzentrum für Schwerionenforschung GmbH
Planckstrasse 1, 64291 Darmstadt

Rev. No.

Rev.-Doc.-No.

Date

Name

STATUS

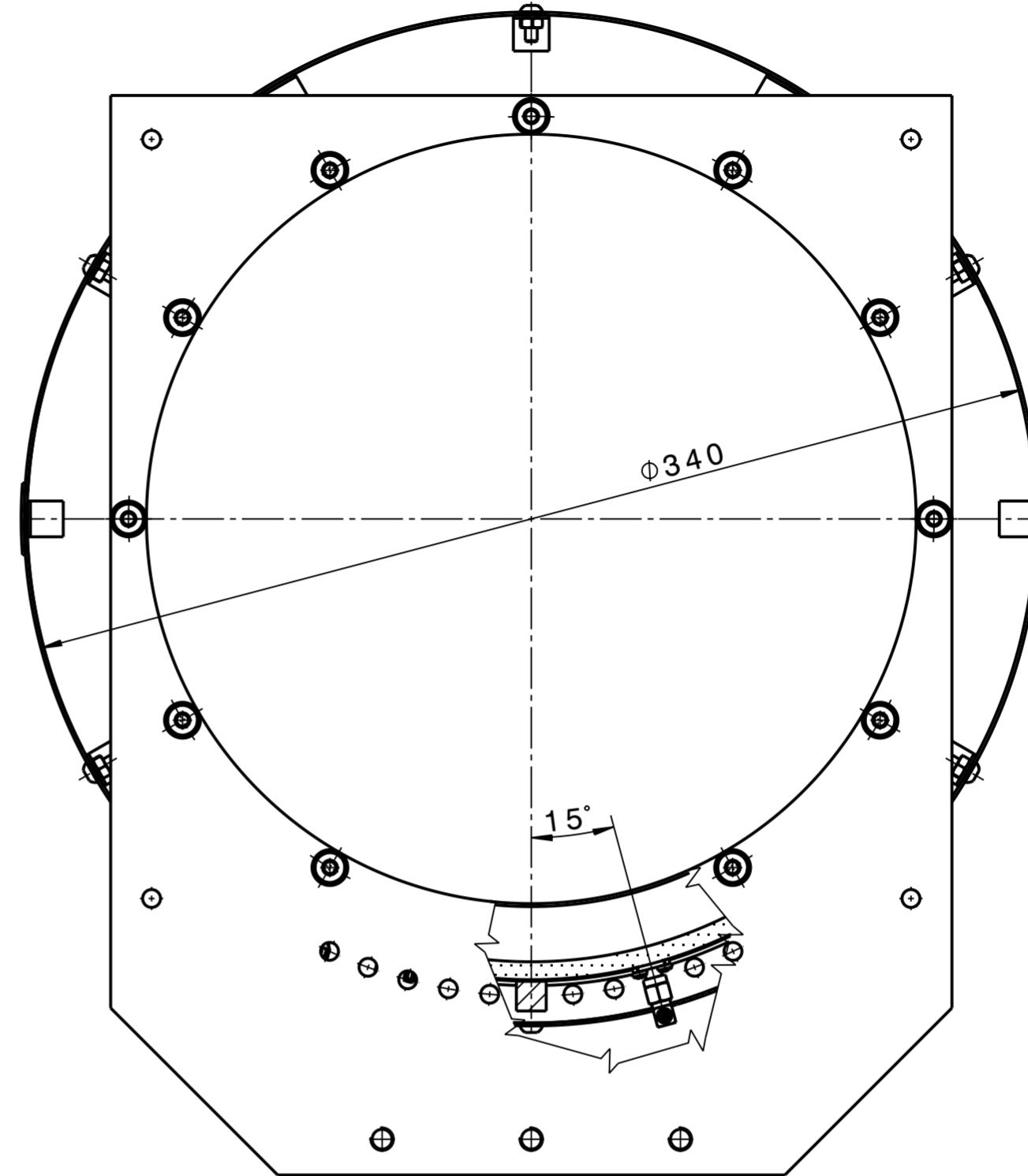
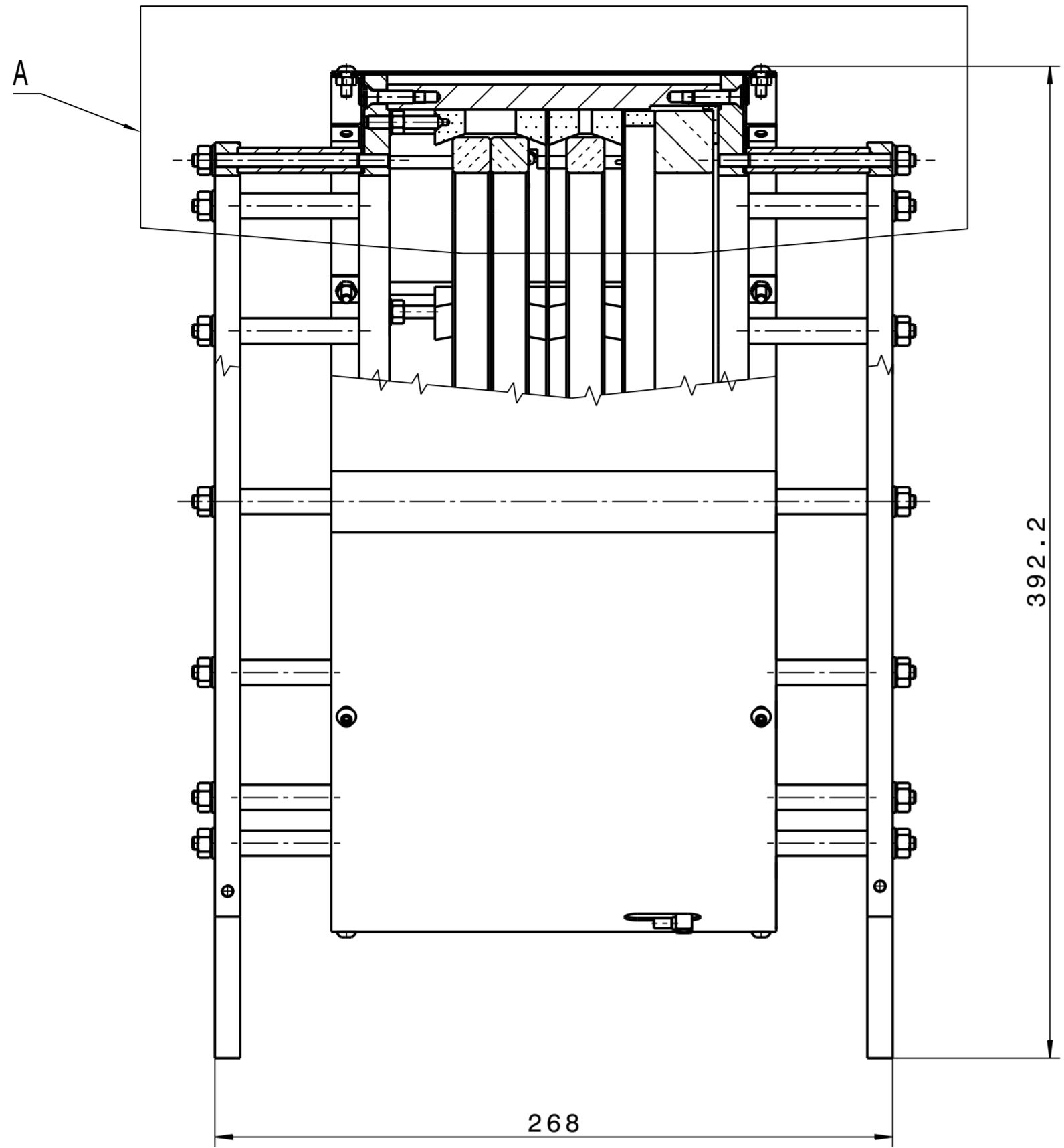
	Date	Name
Drawn	26.01.2015	Hartung, M.
Checked		
Approved		

Description
Strahltransformator ESR-DT 1050

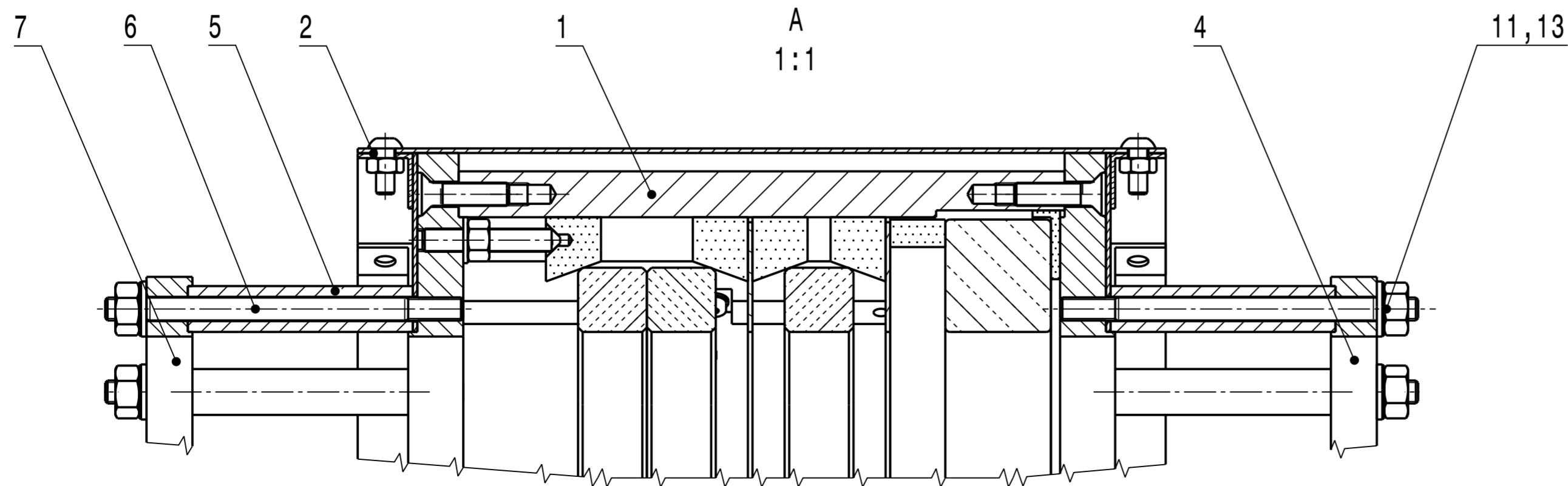
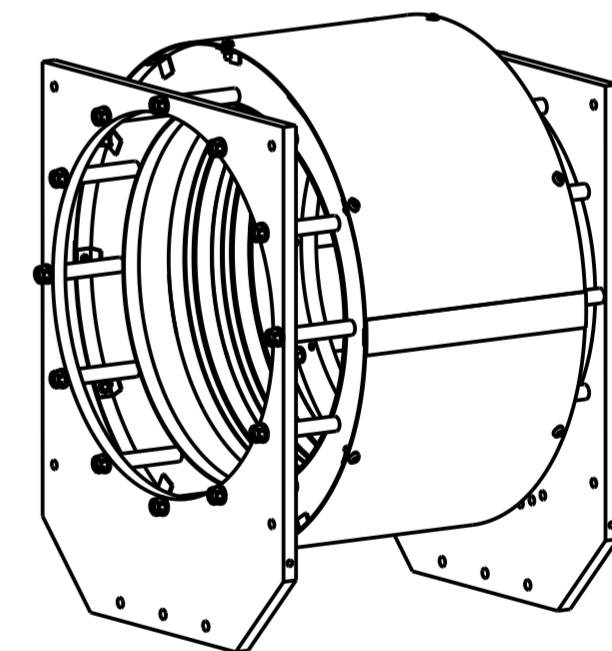
Drawing No. **BD-1019298-A-000** Rev.


Prev. Dwg. Repl. for

Item	Qty.	Description	Drawing No.	Dimensions (finished part)	Standard / Source of supply	Material	Remark
1	1	Baugruppe Trafo ohne äußere Abschirmung	BD-1019225-A-000 (-)				
2							
3	1	Gehäusehälfte f.magn.äußere Abschirm.A	SIS-DS070.020.000 (B)	Ø400x248			
4	1	Gehäusehälfte f.magn.äußere Abschirm.B	SIS-DS070.080.000 (A)	Ø400x248			
5							
6							
7							
8							
9							
10							
11	8	Zylinderschraube		M5x20	ISO 4762	A2	
12							
13	8	Scheibe		Ø5,3	ISO 7089	A2	
14							
15							
16							



1:5



Copying of this document and giving it to others and the use of communication of the contents thereof are forbidden without express authority. Offenders are liable to the payment of damages. All rights are reserved in the event of the grant of a patent or the registration of a utility model or design.		Projection 	Rev. No.	Rev.-Doc.-No.	Date	Name
Surfaces DIN ISO 1302		For information				
Dimensions without tolerance indication DIN ISO 2768-mK EN ISO 13920-BF		Weight	10,800 kg		Scale 1:2 (1:1) 1:5 (1:5)	
Drawn	Date	Name	Description		Size	
Checked	27.01.2015	Hartung, M.	Baugruppe Trafo o. aeussere Abschirmung		A2	
Approved			Drawing No.	Rev.	Sheet 1 of 1	
			BD-1019225-A-000	-		
KF			Prev. Dwg.	Repl. for		

Copying of this Document, and giving it to others and the use of communication of the contents thereof, are forbidden without express authority. Offenders are liable to the payment of damages. All rights are reserved in the event of the grant of a patent or the registration of a utility model or design.



GSI Helmholtzzentrum für Schwerionenforschung GmbH
Planckstrasse 1, 64291 Darmstadt

Rev. No.

Rev.-Doc.-No.

Date

Name

For information

Description

Baugruppe Trafo o. aeussere Abschirmung

	Date	Name
Drawn	27.01.2015	Hartung, M.
Checked		
Approved		

Drawing No.

BD-1019225-A-000

Rev.

-

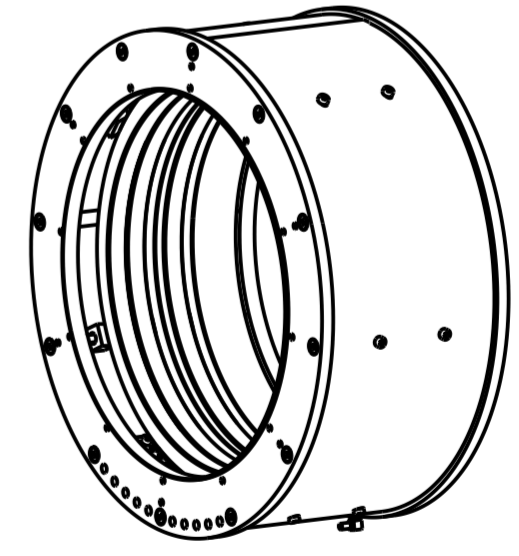
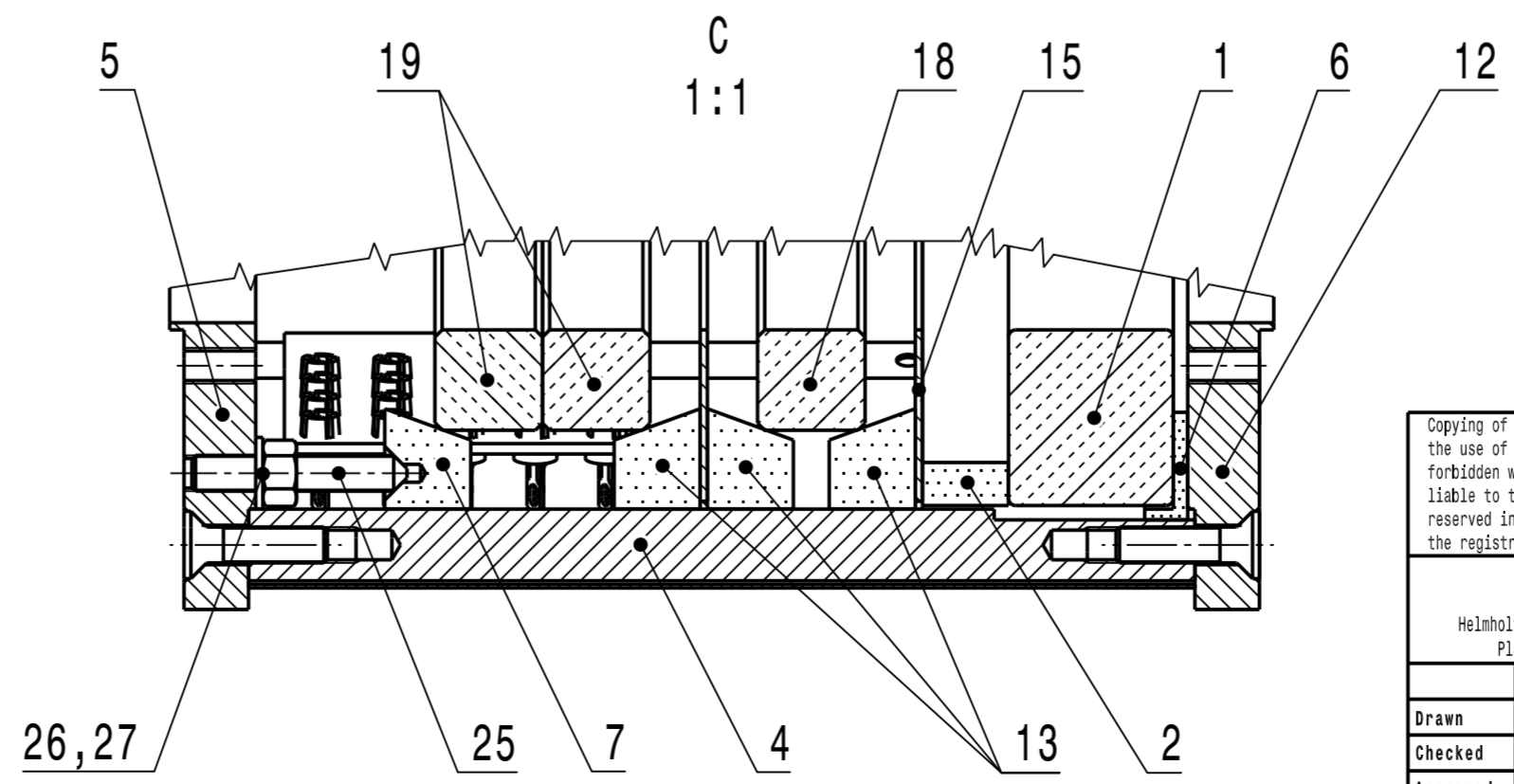
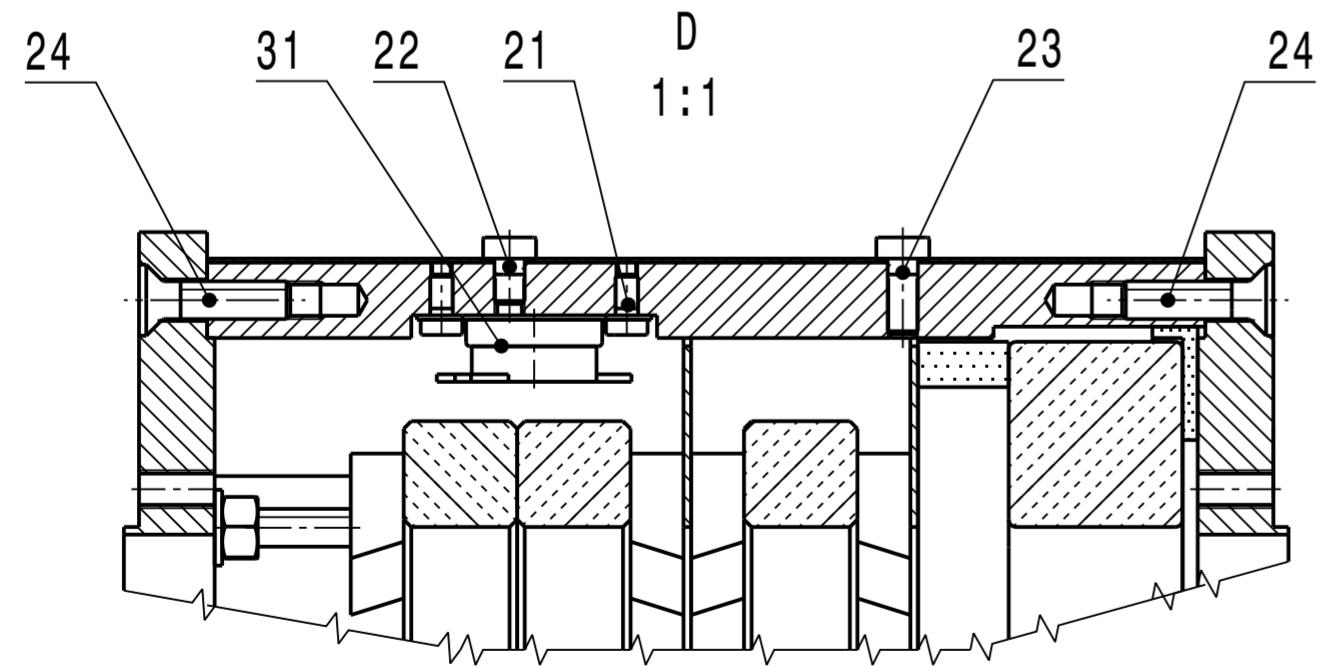
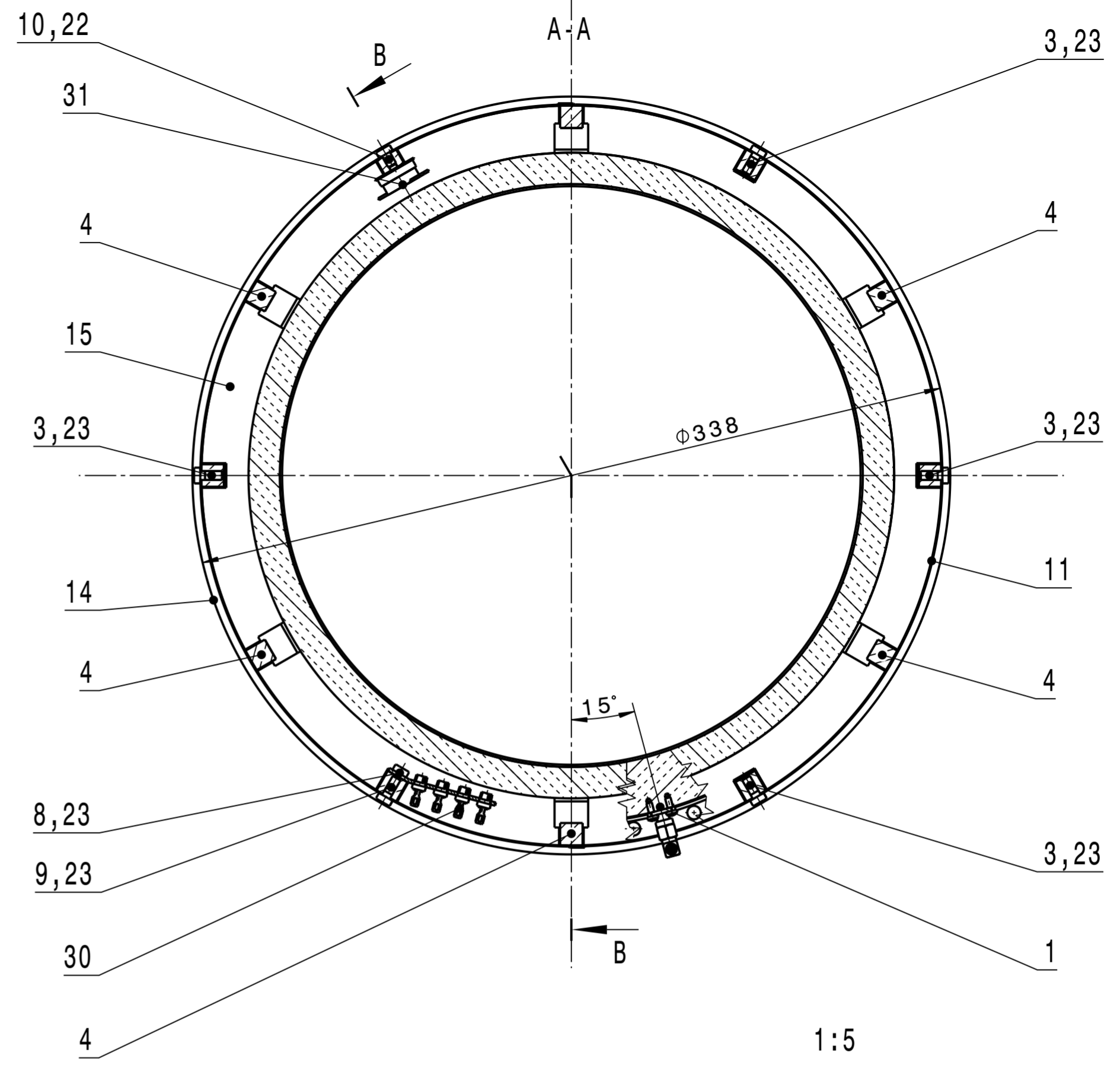
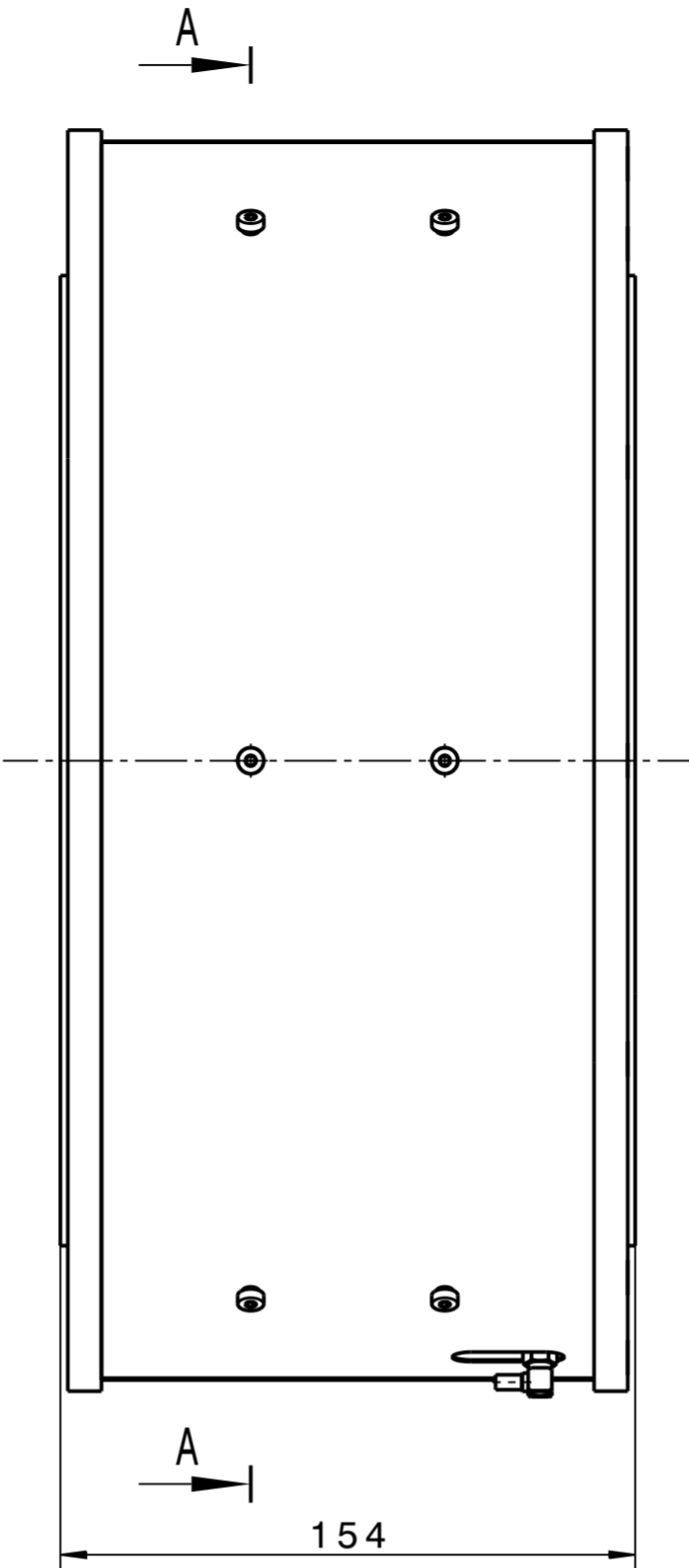
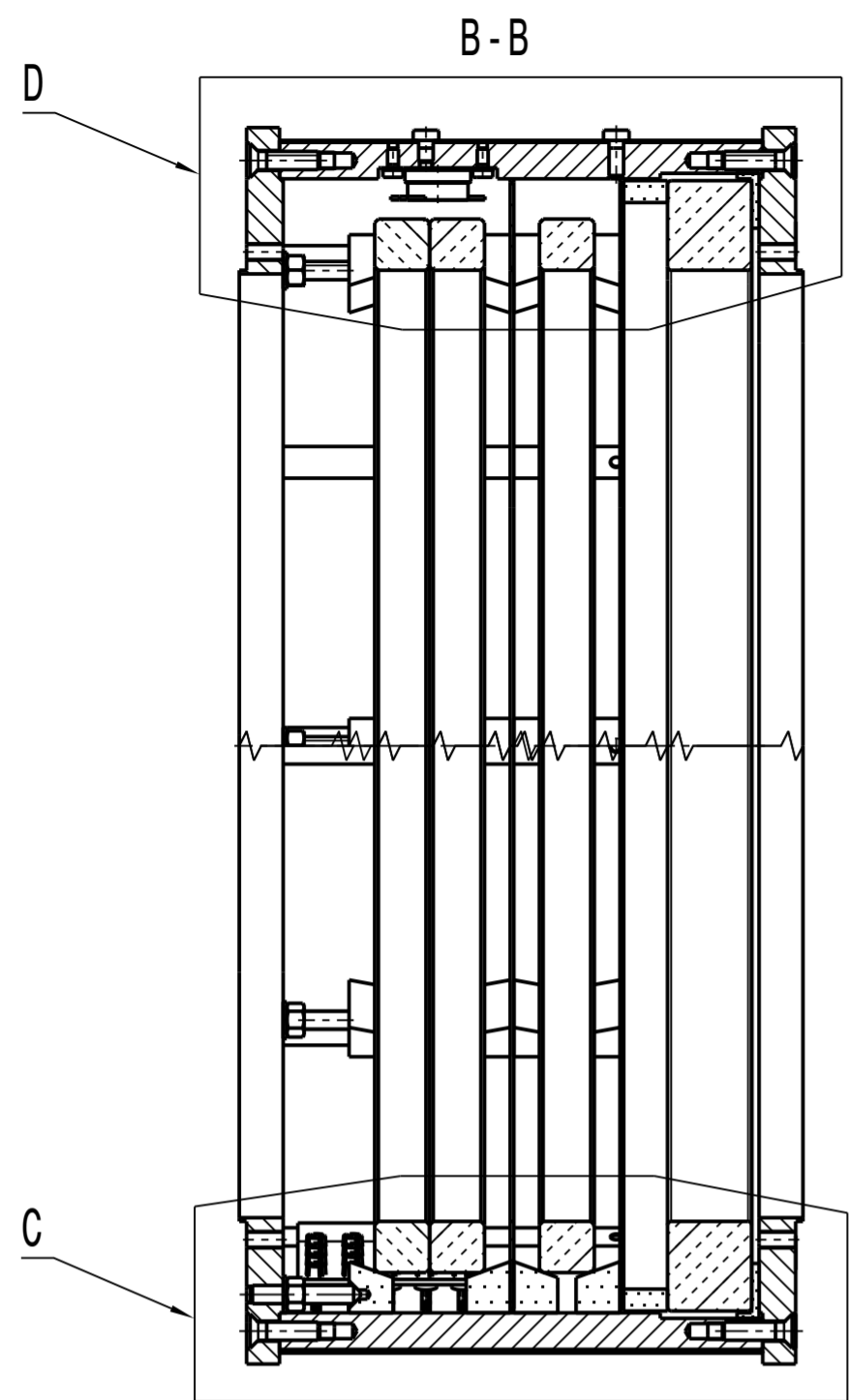
Prev. Dwg.

Repl. for

Item	Qty.	Description	Drawing No.	Dimensions (finished part)	Standard / Source of supply	Material	Remark
1	1	Baugruppe Detektorhalterung	BD-1019219-A-000 (-)				
2	1	Baugruppe magnetische Abschirmung	BD-1019251-A-000 (-)				
3							
4	1	Tragplatte A	SIS-DS070.000.010 (A)	362x282x10		EN AW-5754 (AlMg3)	
5	24	Distanzrohr	SIS-DS070.000.040 (-)	Ø10x51		EN AW-5754 (AlMg3)	
6	24	Gewindebolzen	SIS-DS070.000.100 (A)	Ø5x78		1.4301 (X5CrNi18-10)	
7	1	Tragplatte B	SIS-DS070.000.160 (B)	362x282x10		AlMgSiO, 5F22	
8							
9							
10							
11	24	Scheibe		Ø6,4	ISO 7089	A2	
12							
13	24	Sechskantmutter		M6	ISO 4032	A2	
14							
15							
16							

1 2 3 4 5 6 7 8 9 10 11 12

A B C D E F G H



Copying of this document and giving it to others and the use of communication of the contents thereof are forbidden without express authority. Offenders are liable to the payment of damages. All rights are reserved in the event of the grant of a patent or the registration of a utility model or design.

	Rev. No.	Rev.-Doc.-No.	Date	Name
	For information			
Surfaces DIN ISO 1302	Weight	5,500 kg	Scale	1:2 (1:1) 1:5
GSi Helmholtzzentrum für Schwerionenforschung GmbH Planckstrasse 1, 64291 Darmstadt	Dimensions without tolerance indication DIN ISO 2768-mK EN ISO 13920-BF	Material	Description	Size
Date 27.01.2015 Name Dorn, C.	Drawing No. BD-1019219-A-000		Description Baugruppe Detektorhalterung	Sheet 1 of 1
Drawn Checked Approved	Rev. -	Repl. for		
KF	Prev. Dwg.			

1 2 3 4 5 6 7 8 9 10 11 12

Copying of this Document, and giving it to others and the use of communication of the contents thereof, are forbidden without express authority. Offenders are liable to the payment of damages. All rights are reserved in the event of the grant of a patent or the registration of a utility model or design.



GSI Helmholtzzentrum für Schwerionenforschung GmbH
Planckstrasse 1, 64291 Darmstadt

Rev. No.

Rev.-Doc.-No.

Date

Name

For information

Baugruppe Detektorhalterung

Description

Drawing No.

BD-1019219-A-000


Rev.

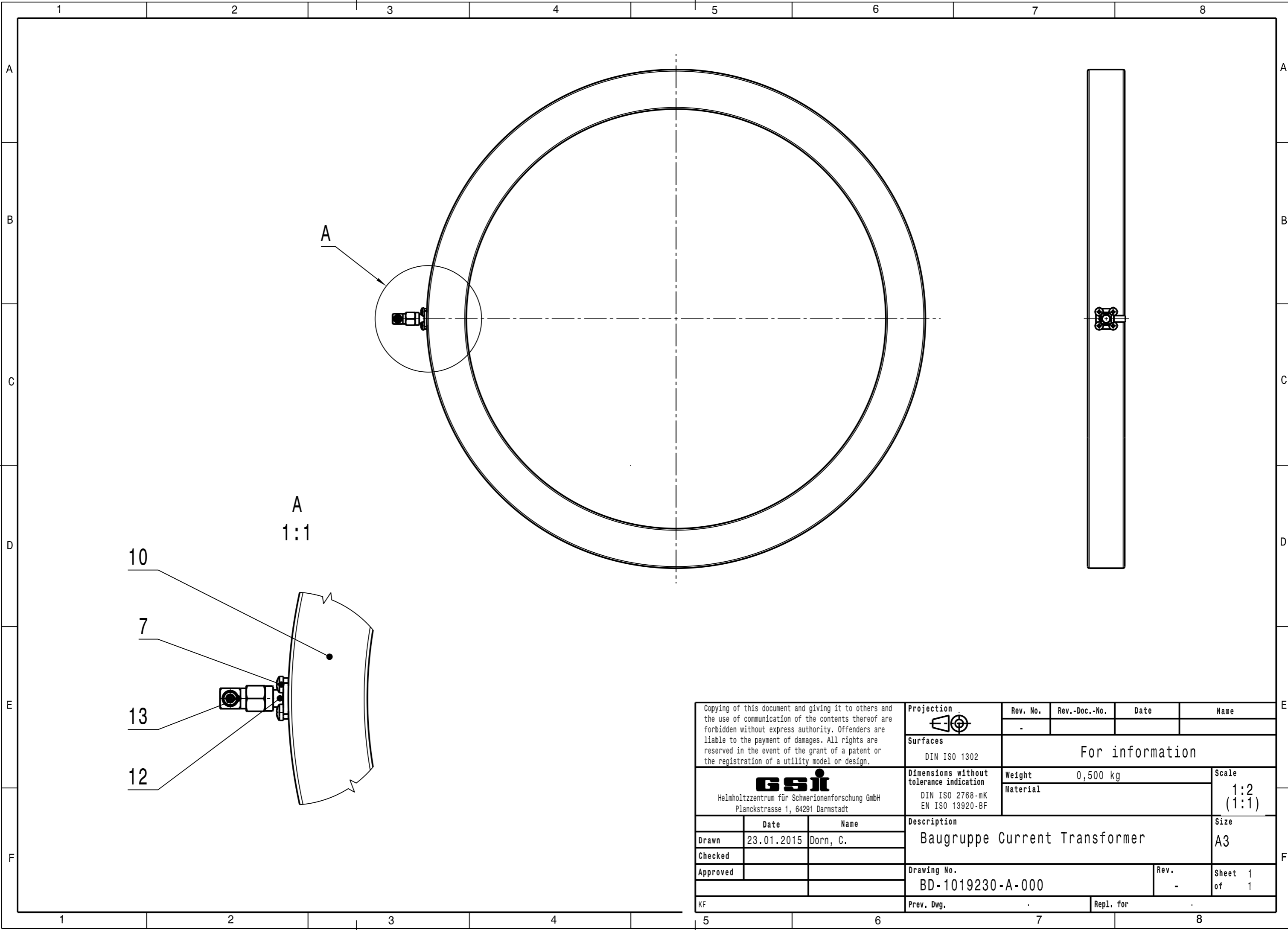
-

Prev. Dwg.

Repl. for

Item	Qty.	Description	Drawing No.	Dimensions (finished part)	Standard / Source of supply	Material	Remark
1	1	Baugruppe Current Transformer	BD-1019230-P-000 (-)				
2	1	Abstandsring	BD-1019421-P-000 (-)	Ø309x6x12		PEEK oder POM	
3	4	Zentrierbolzen A	BD-1019220-P-000 (-)	132x10x10		EN AW-6060 (AlMgSi0,5)	
4	6	Zentrierbolzen B	BD-1019221-P-000 (-)	132x10x10		EN AW-6060 (AlMgSi0,5)	
5	1	Tragring A	BD-1019233-P-000 (-)	Ø338x12		EN AW-5754 (AlMg3)	
6	1	Lagerring	BD-1019237-P-000 (-)	Ø313x6		PEEK oder POM	
7	6	Klemmstück C	BD-1019258-P-000 (-)	16x15x12		PEEK	
8	1	Klemmenbrett	BD-1019259-P-000 (-)	60x50x1,5		EN AW-5754 (AlMg3)	
9	1	Zentrierbolzen D	BD-1019267-P-000 (-)	132x10x10		EN AW-6060 (AlMgSi0,5)	
10	1	Zentrierbolzen E	BD-1019274-P-000 (-)	132x10x10		EN AW-6060 (AlMgSi0,5)	
11	1	Abschirmblech el.	BD-1019289-P-000 (-)	Ø331x132		EN CW020A (Cu-PHC / SE-Cu)	
12	1	Tragring B	SIS-DS070.000.030 (A)	Ø338x12		EN AW-5754 (AlMg3)	
13	24	Klemmstück B	SIS-DS070.000.080 (-)	16x15x12		Stesalit (EP-GF)	
14	1	Abschirmblech,el.	SIS-DS070.000.090 (-)	Ø331x132		EN CW020A (Cu-PHC / SE-Cu)	
15	2	Abschirmscheibe, magnetisch	SIS-DS070.000.120 (A)	Ø330x1		A-80 Mu-Metall	
16							

Copying of this Document, and giving it to others and the use of communication of the contents thereof, are forbidden without express authority. Offenders are liable to the payment of damages. All rights are reserved in the event of the grant of a patent or the registration of a utility model or design.				Rev. No.	Rev.-Doc.-No.	Date	Name
				-			
 GSI Helmholtzzentrum für Schwerionenforschung GmbH Planckstrasse 1, 64291 Darmstadt			Date	Name	For information Baugruppe Detektorhalterung		
		Drawn	27.01.2015	Dorn, C.			
		Checked			Drawing No. BD-1019219-A-000	Rev. -	
		Approved					
				Prev. Dwg.		Repl. for	
Item	Qty.	Description	Drawing No.	Dimensions (finished part)	Standard / Source of supply	Material	Remark
17							
18	1	Ringbandkern DT-M	SIS-DS070.050 (-) Bl. 1+3				Beistellung BI-Abteilung
19	2	Ringbandkern DT-L	SIS-DS070.050 (-) Bl. 1+4				Beistellung BI-Abteilung
20							
21	2	Zylinderschraube niedriger Kopf		M3x6	DIN 7984	A2	
22	1	Zylinderschraube niedriger Kopf		M4x6	DIN 7984	A2	
23	13	Zylinderschraube niedriger Kopf		M4x10	DIN 7984	A2	
24	24	Senkschraube		M5x20	ISO 10642	A2	
25	6	Gewindestift		M5x30	ISO 4027	A2	
26	6	Scheibe		Ø5,3	ISO 7089	A2	
27	6	Sechskantmutter		M5	ISO 4032	A2	
28							
29							
30	20	Lötstift Typ 12H2700					Beistellung BI-Abteilung
31	1	Temperaturwächter			Microtherm	Typ R28	BNr.: R2811EP35T0347080
32							



Copying of this document and giving it to others and the use of communication of the contents thereof are forbidden without express authority. Offenders are liable to the payment of damages. All rights are reserved in the event of the grant of a patent or the registration of a utility model or design.		Projection 	Rev. No. -	Rev.-Doc.-No. 	Date 	Name
		Surfaces DIN ISO 1302	For information			
 Helmholtzzentrum für Schwerionenforschung GmbH Planckstrasse 1, 64291 Darmstadt		Dimensions without tolerance indication DIN ISO 2768-mK EN ISO 13920-BF	Weight 0,500 kg	Scale 1:2 (1:1)		
		Description Baugruppe Current Transformer		Size A3		
Drawn 23.01.2015	Date 23.01.2015	Name Dorn, C.	Drawing No. BD-1019230-A-000			Rev. -
Checked 			Sheet 1 of 1			
Approved 			Prev. Dwg. 	Repl. for 		

Copying of this Document, and giving it to others and the use of communication of the contents thereof, are forbidden without express authority. Offenders are liable to the payment of damages. All rights are reserved in the event of the grant of a patent or the registration of a utility model or design.

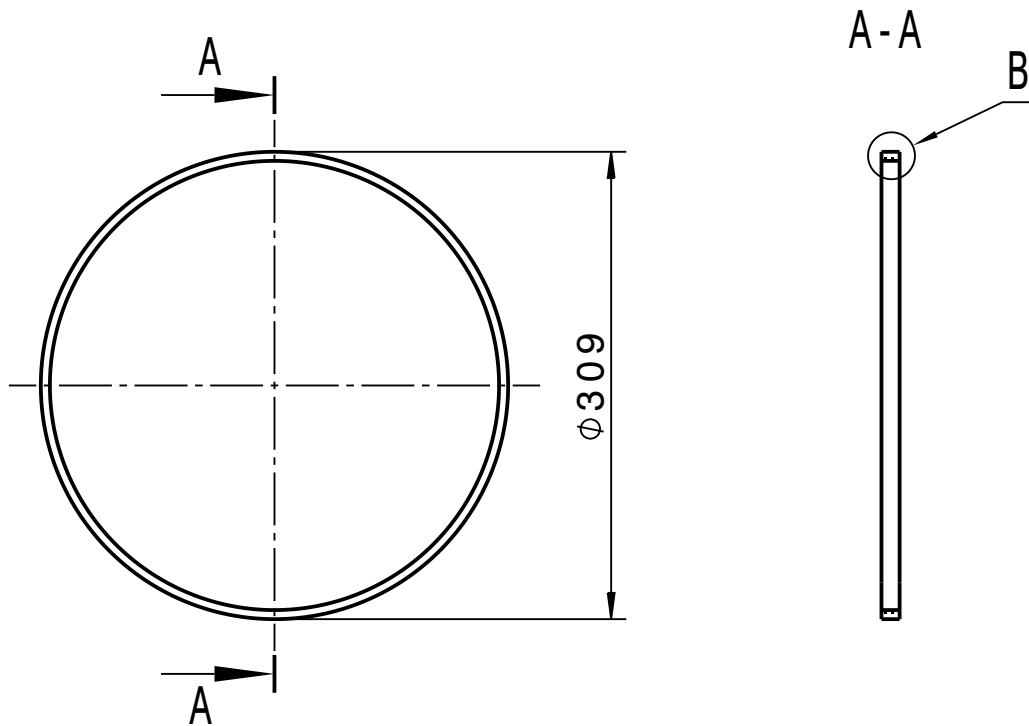


GSI Helmholtzzentrum für Schwerionenforschung GmbH
Planckstrasse 1, 64291 Darmstadt

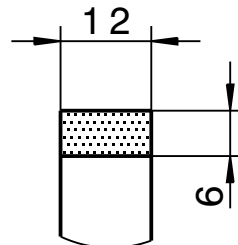
	Date	Name
Drawn	23.01.2015	Dorn, C.
Checked		
Approved		

Rev. No.	Rev.-Doc.-No.	Date	Name
-			
For information			
Description			
Baugruppe Current Transformer			
Drawing No.			Rev.
BD-1019230-A-000			-
Prev. Dwg.		Repl. for	

Item	Qty.	Description	Drawing No.	Dimensions (finished part)	Standard / Source of supply	Material	Remark
1							
2							
3							
4							
5							
6							
7	4	Linsenkopfschraube		M2,5x6	ISO 7045	A2	
8							
9							
10	1	Ringkern FCT-260-1.25-LD			Fa. Bergoz		
11							
12	1	SMA-Buchse mit Flansch			Fa. Huber+Suhner	Type 23_SMA-50-0-21/111_N	BNr. 22640101
13	1	SMA Winkel-Kabelstecker			Fa. Huber+Suhner	Type 16_SMA-50-1-1/111_N_1	BNr. 22660358
14							
15							
16							



B
1:1

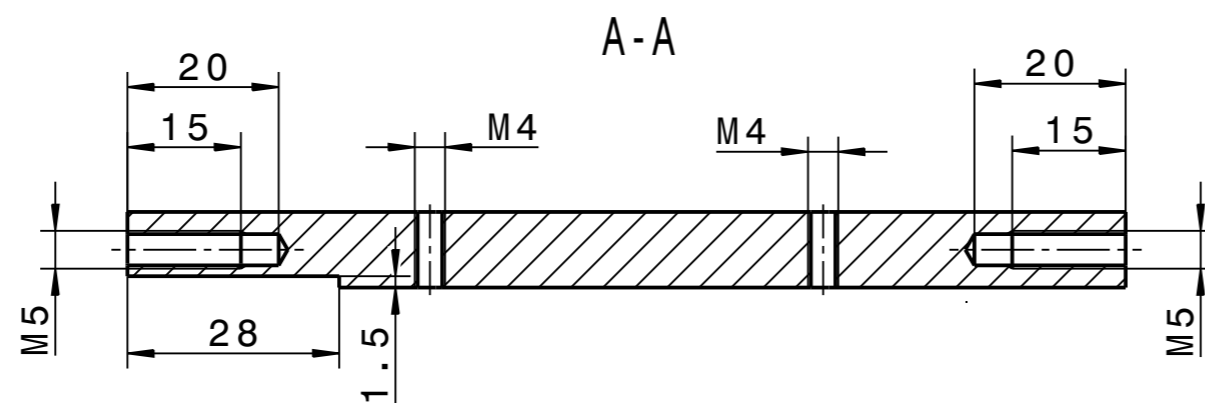
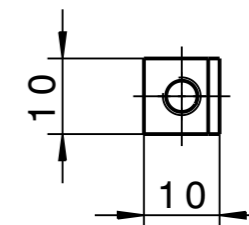
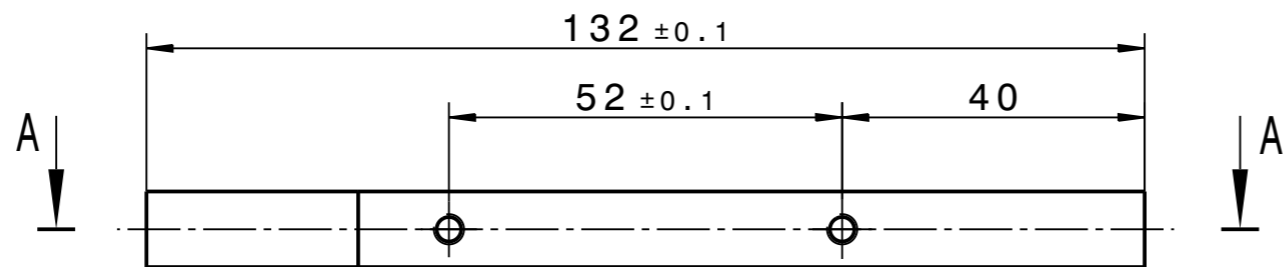


Kanten
ISO 13715

+0.3
-0.1

Rz25

Copying of this document and giving it to others and the use of communication of the contents thereof are forbidden without express authority. Offenders are liable to the payment of damages. All rights are reserved in the event of the grant of a patent or the registration of a utility model or design.		Projection 	Rev. No.	Rev.-Doc.-No.	Date	Name
		Surfaces DIN ISO 1302	For information			
 Helmholtzzentrum für Schwerionenforschung GmbH Planckstrasse 1, 64291 Darmstadt		Dimensions without tolerance indication DIN ISO 2768-mK EN ISO 13920-BF	Weight	0,090 kg		Scale
			Material	PEEK oder POM		1:5 (1:1)
	Date	Name	Description			Size
Drawn	29.01.2015	Hartung, M.	Abstandsring			A4
Checked						
Approved			Drawing No.		Rev.	Sheet 1
			BD-1019421-P-000		-	of 1
KF	Prev. Dwg.		Repl. for			

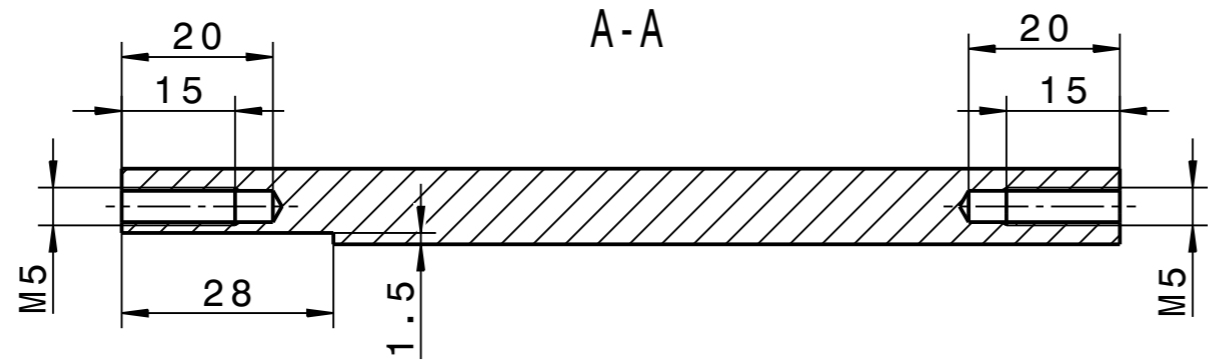
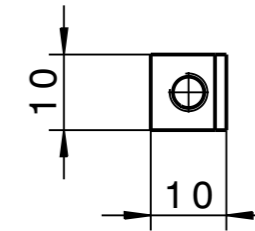
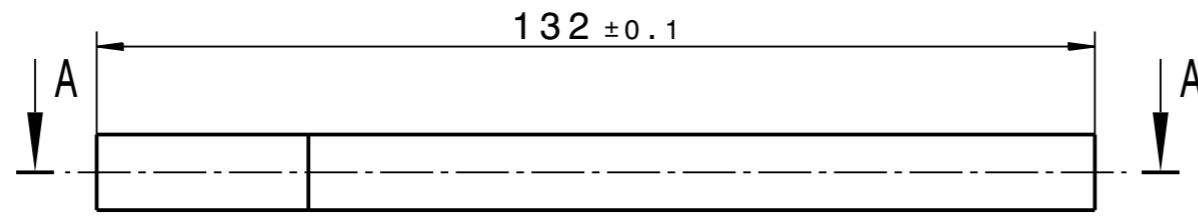


Kanten ISO 13715

$\begin{matrix} +0.3 \\ -0.1 \end{matrix}$
 $\begin{matrix} -0.3 \\ -0.1 \end{matrix}$

$\sqrt{Rz25}$

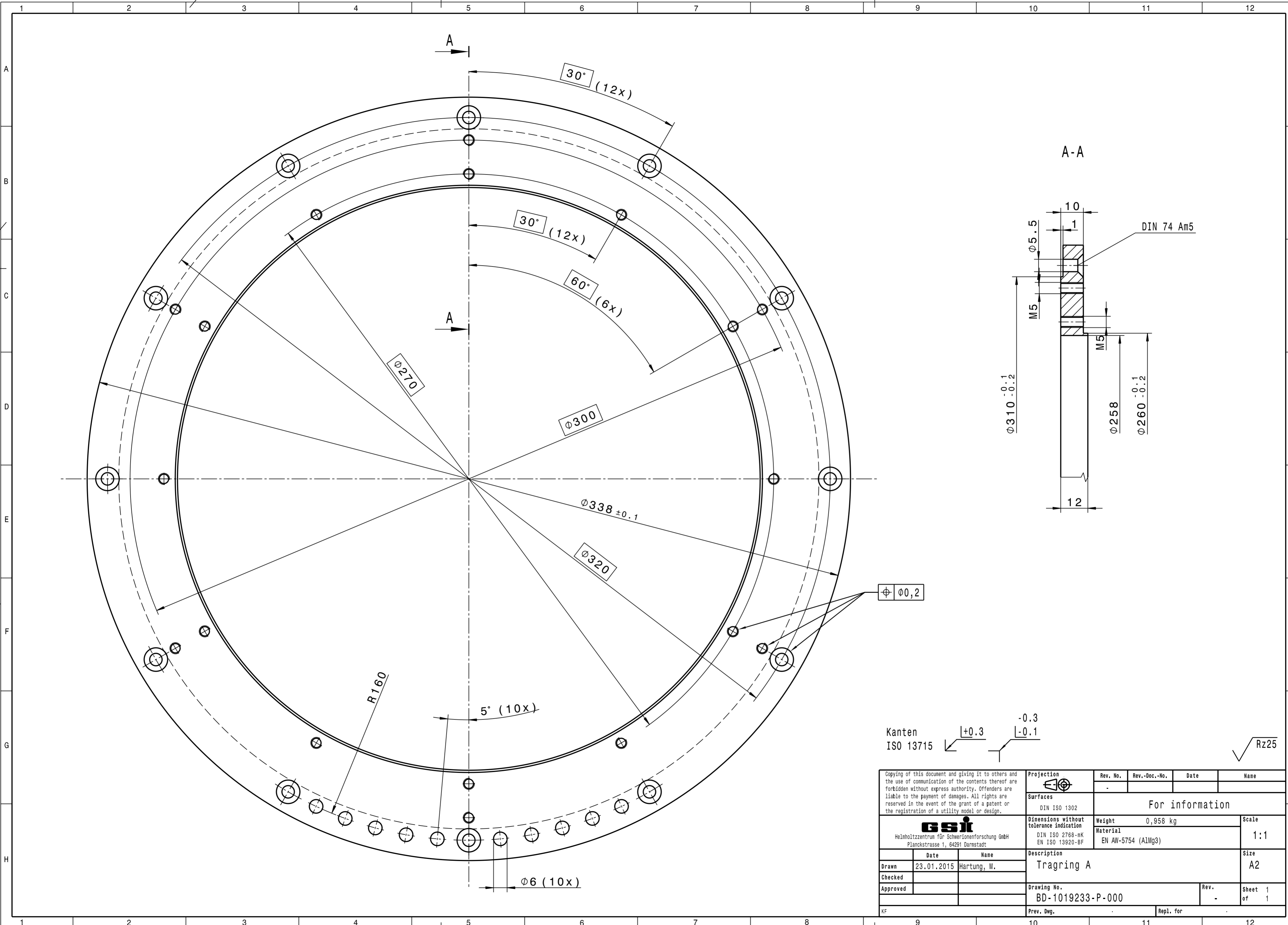
Copying of this document and giving it to others and the use of communication of the contents thereof are forbidden without express authority. Offenders are liable to the payment of damages. All rights are reserved in the event of the grant of a patent or the registration of a utility model or design.		Projection	Rev. No.	Rev.-Doc.-No.	Date	Name
		Surfaces DIN ISO 1302	For information			
gsit Helmholtzzentrum für Schwerionenforschung GmbH Planckstrasse 1, 64291 Darmstadt		Dimensions without tolerance indication DIN ISO 2768-mK EN ISO 13920-BF	Weight 0,033 kg Material EN AW-2007 (AlCu4PbMgMn)	Scale 1:1		
		Description Zentrierbolzen A		Size A3		
Drawn 23.01.2015 Hartung, M.	Drawing No. BD-1019220-P-000		Rev. -	Sheet 1 of 1		
Checked	Prev. Dwg.		Repl. for			
Approved	KF					



Kanten ISO 13715 $\sqrt{+0.3}$ $\sqrt{-0.1}$

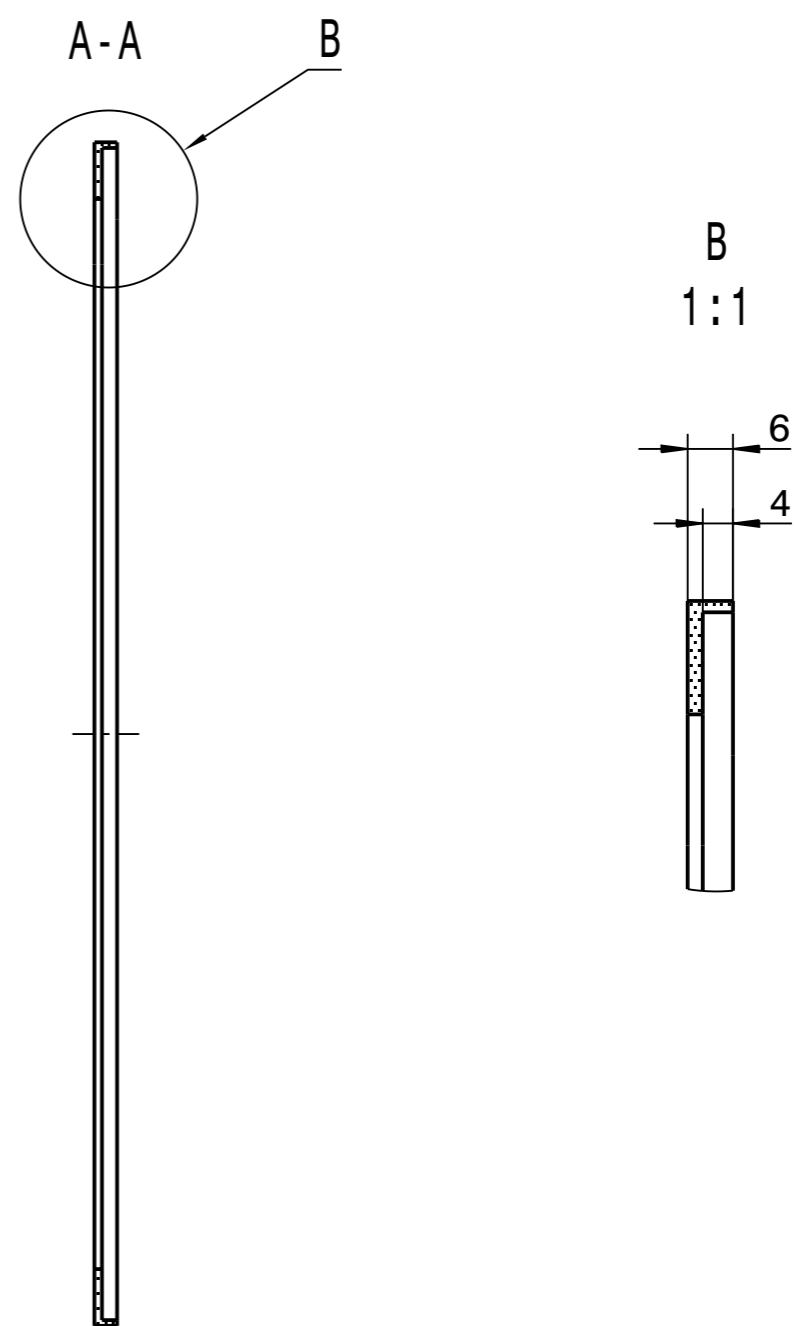
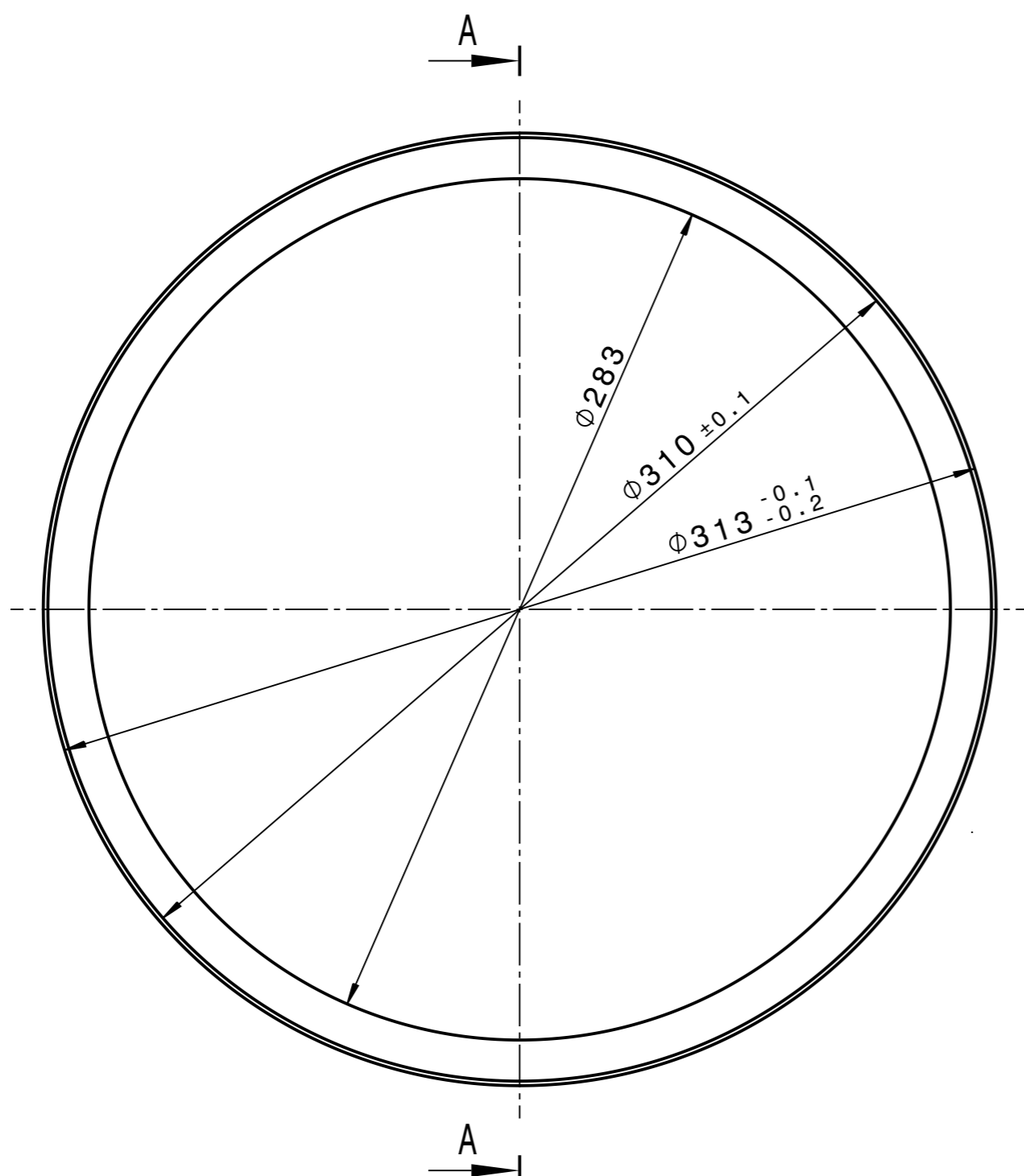
$\sqrt{Rz25}$

Copying of this document and giving it to others and the use of communication of the contents thereof are forbidden without express authority. Offenders are liable to the payment of damages. All rights are reserved in the event of the grant of a patent or the registration of a utility model or design.		Projection	Rev. No.	Rev.-Doc.-No.	Date	Name
		Surfaces DIN ISO 1302	For information			
GSIT Helmholtzzentrum für Schwerionenforschung GmbH Planckstrasse 1, 64291 Darmstadt		Dimensions without tolerance indication DIN ISO 2768-mK EN ISO 13920-BF	Weight 0,033 kg Material EN AW-2007 (AlCu4PbMgMn)	Scale 1:1		
		Description Zentrierbolzen B		Size A3		
Drawn Checked Approved	Date 23.01.2015	Name Hartung, M.	Drawing No. BD-1019221-P-000		Rev. -	Sheet 1 of 1
KF		Prev. Dwg.	Repl. for			



Kanten ISO 13715 $\begin{cases} +0.3 \\ -0.1 \end{cases}$ $\sqrt{Rz25}$

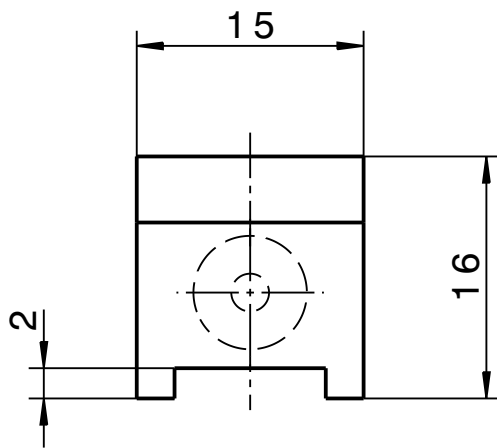
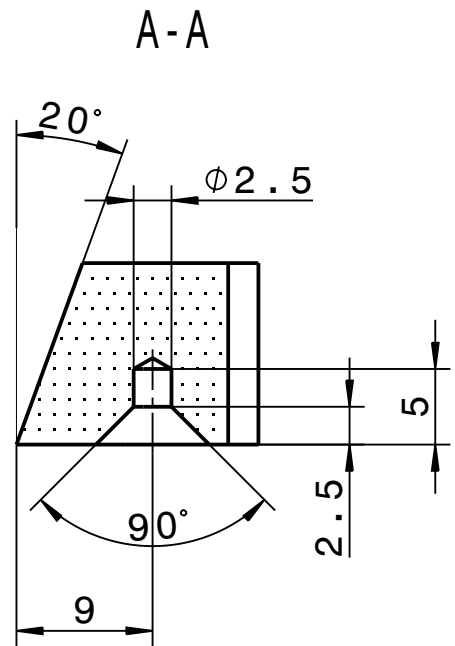
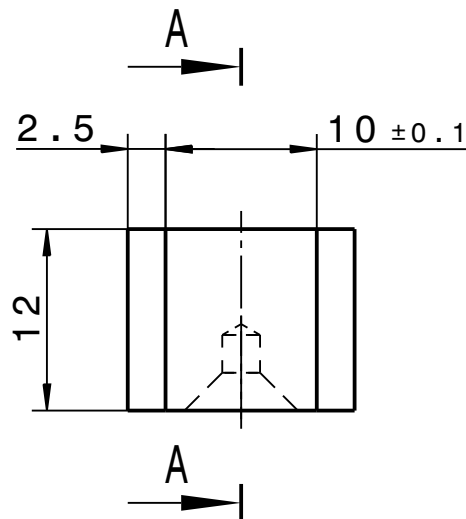
Copying of this document and giving it to others and the use of communication of the contents thereof are forbidden without express authority. Offenders are liable to the payment of damages. All rights are reserved in the event of the grant of a patent or the registration of a utility model or design.		Projection 	Rev. No. -	Rev.-Doc.-No. -	Date -	Name -
GSi Helmholtzzentrum für Schwerionenforschung GmbH Planckstrasse 1, 64291 Darmstadt		Surfaces DIN ISO 1302	For information			
Dimensions without tolerance indication DIN ISO 2768-mK EN ISO 13920-BF		Weight 0,958 kg	Material EN AW-5754 (AlMg3)		Scale 1:1	
Drawn 23.01.2015 Hartung, M.	Description Tragring A		Drawing No. BD-1019233-P-000		Rev. -	Sheet 1 of 1
Checked -	Drawing No. BD-1019233-P-000		Rev. -		Sheet 1 of 1	
Approved -	Prev. Dwg. -		Repl. for -		-	



Kanten ISO 13715 $\begin{matrix} +0.3 \\ -0.1 \end{matrix}$

$\sqrt{Rz25}$

Copying of this document and giving it to others and the use of communication of the contents thereof are forbidden without express authority. Offenders are liable to the payment of damages. All rights are reserved in the event of the grant of a patent or the registration of a utility model or design.		Projection	Rev. No.	Rev.-Doc.-No.	Date	Name
		Surfaces DIN ISO 1302	For information			
GSIT Helmholtzzentrum für Schwerionenforschung GmbH Planckstrasse 1, 64291 Darmstadt		Dimensions without tolerance indication DIN ISO 2768-mK EN ISO 13920-BF	Weight 0,045 kg Material PEEK oder POM	Scale 1:2 (1:1)		
		Description Lagerring		Size A3		
Drawn Checked Approved	Date 23.01.2015	Name Hartung, M.	Drawing No. BD-1019237-P-000		Rev. -	Sheet 1 of 1
KF		Prev. Dwg.		Repl. for		

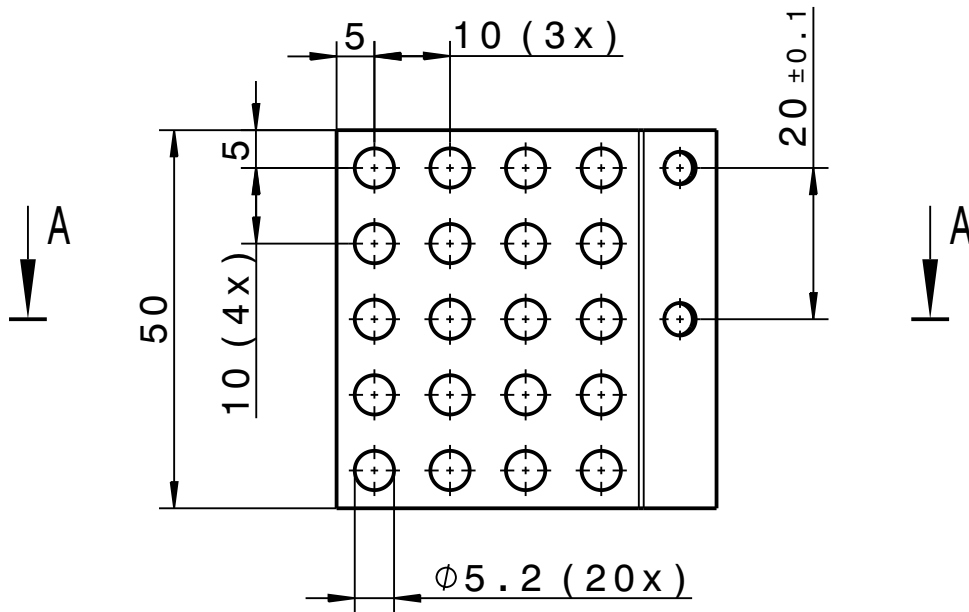


Kanten
ISO 13715

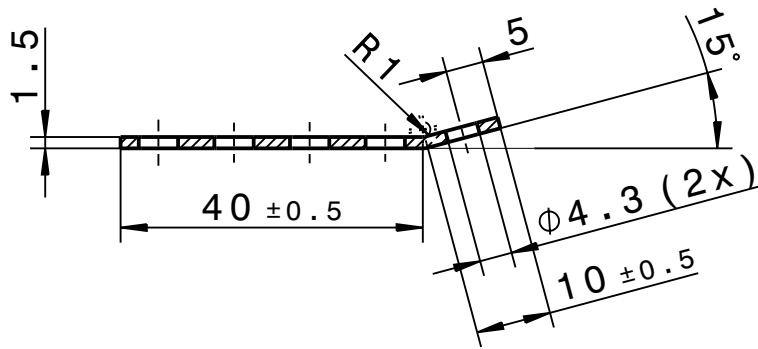
\swarrow $+0.3$ \swarrow -0.1 \swarrow -0.3

$\sqrt{\text{Rz25}}$

Copying of this document and giving it to others and the use of communication of the contents thereof are forbidden without express authority. Offenders are liable to the payment of damages. All rights are reserved in the event of the grant of a patent or the registration of a utility model or design.		Projection 	Rev. No.	Rev.-Doc.-No.	Date	Name
		Surfaces DIN ISO 1302	For information			
 Helmholtzzentrum für Schwerionenforschung GmbH Planckstrasse 1, 64291 Darmstadt		Dimensions without tolerance indication DIN ISO 2768-mK EN ISO 13920-BF	Weight	0,003 kg		Scale
			Material	PEEK		1:1
	Date	Name	Description Klemmstueck C			Size A4
Drawn	22.01.2015	Hartung, M.				
Checked			Drawing No. BD-1019258-P-000			Rev. -
Approved						
KF	Prev. Dwg.		Repl. for			Sheet 1 of 1



A-A

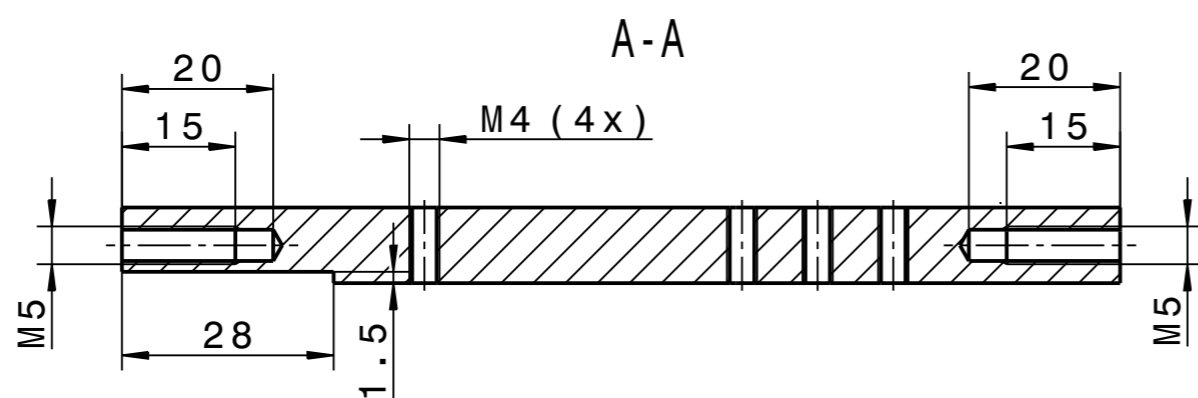
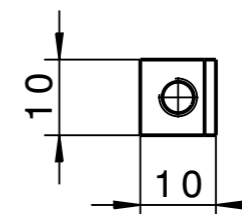
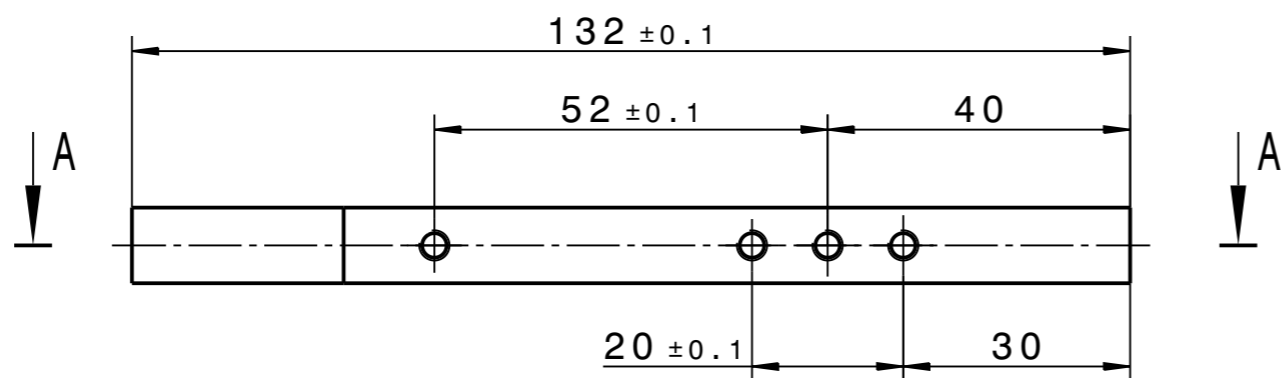


Kanten
ISO 13715

+0.3 -0.3
 -0.1

Rz25

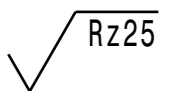
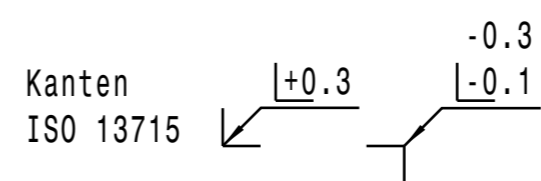
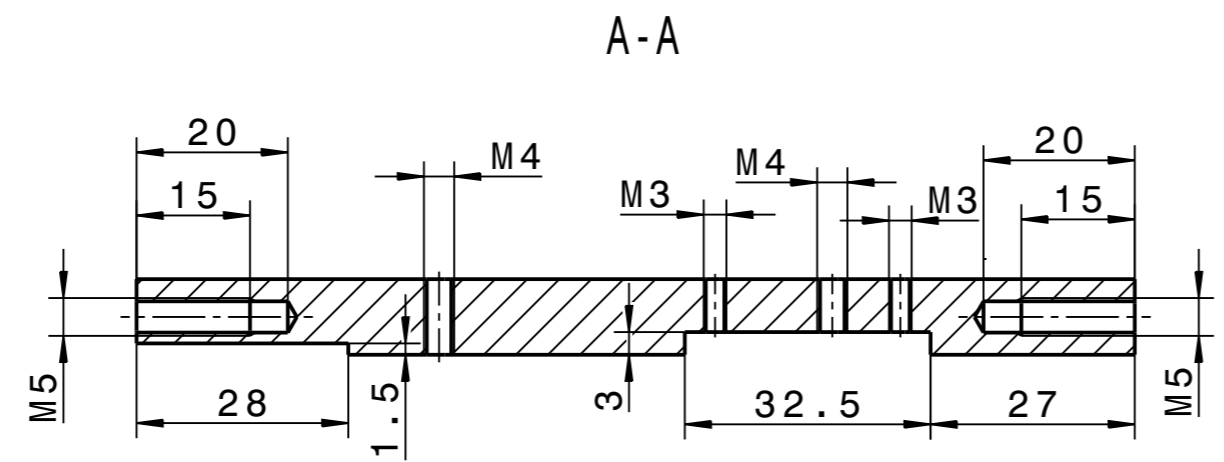
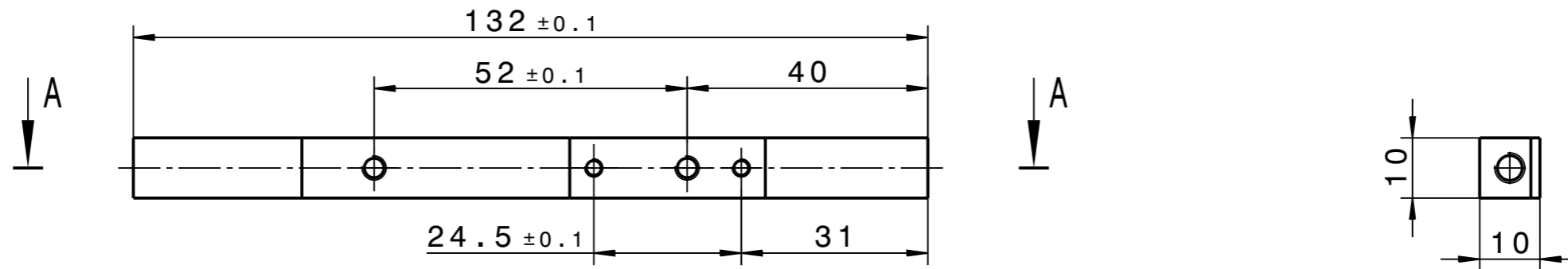
Copying of this document and giving it to others and the use of communication of the contents thereof are forbidden without express authority. Offenders are liable to the payment of damages. All rights are reserved in the event of the grant of a patent or the registration of a utility model or design.		Projection 	Rev. No.	Rev.-Doc.-No.	Date	Name
		Surfaces DIN ISO 1302	For information			
 Helmholtzzentrum für Schwerionenforschung GmbH Planckstrasse 1, 64291 Darmstadt		Dimensions without tolerance indication DIN ISO 2768-mK EN ISO 13920-BF	Weight	0,008 kg	Scale	
			Material	EN AW-5754 (AlMg3)	1:1	
Date	Name	Description				Size
Drawn	22.01.2015	Klemmenbrett				A4
Checked						
Approved		Drawing No.			Rev.	Sheet 1
		BD-1019259-P-000			-	of 1
KF	Prev. Dwg.		Repl. for			



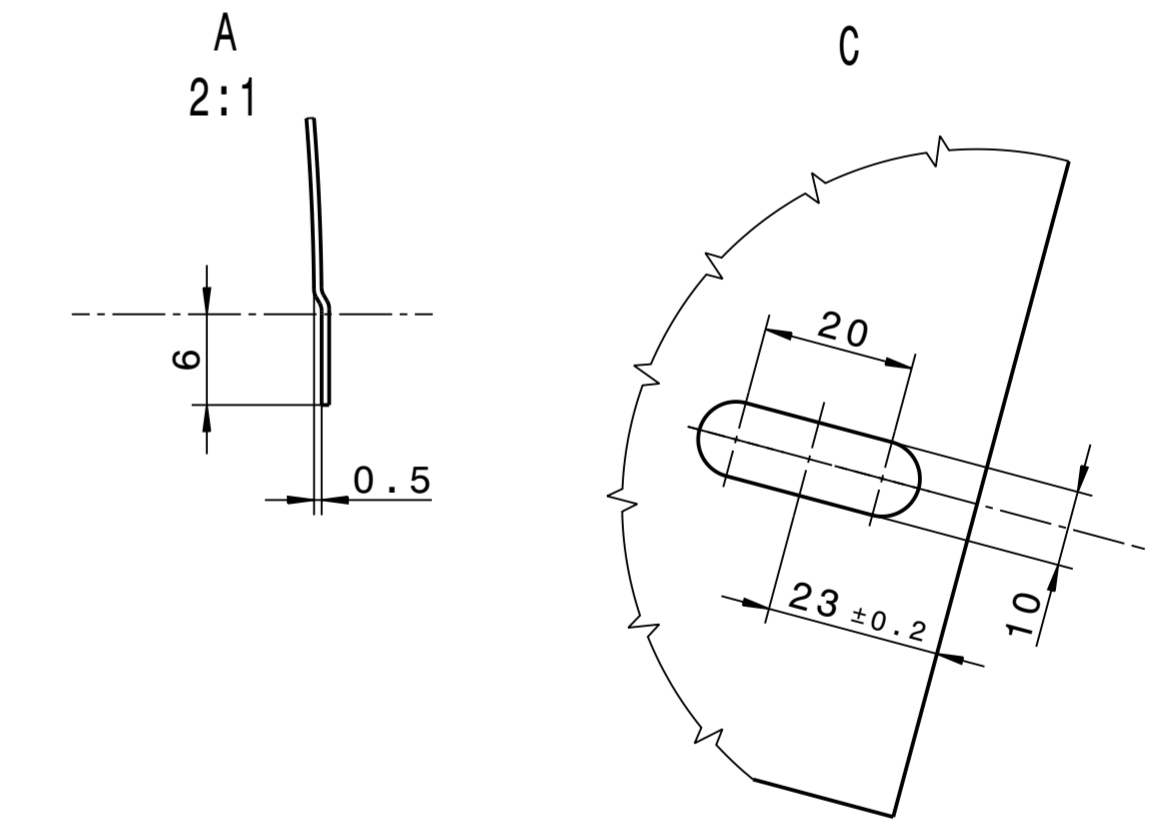
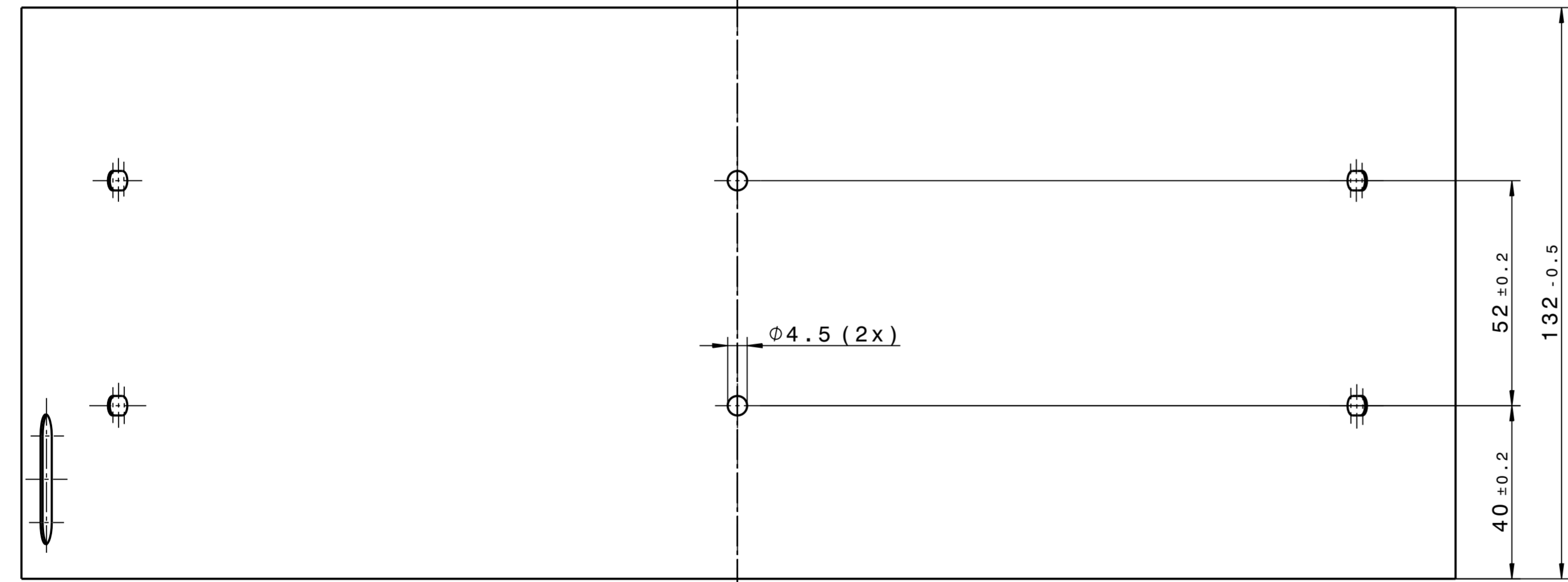
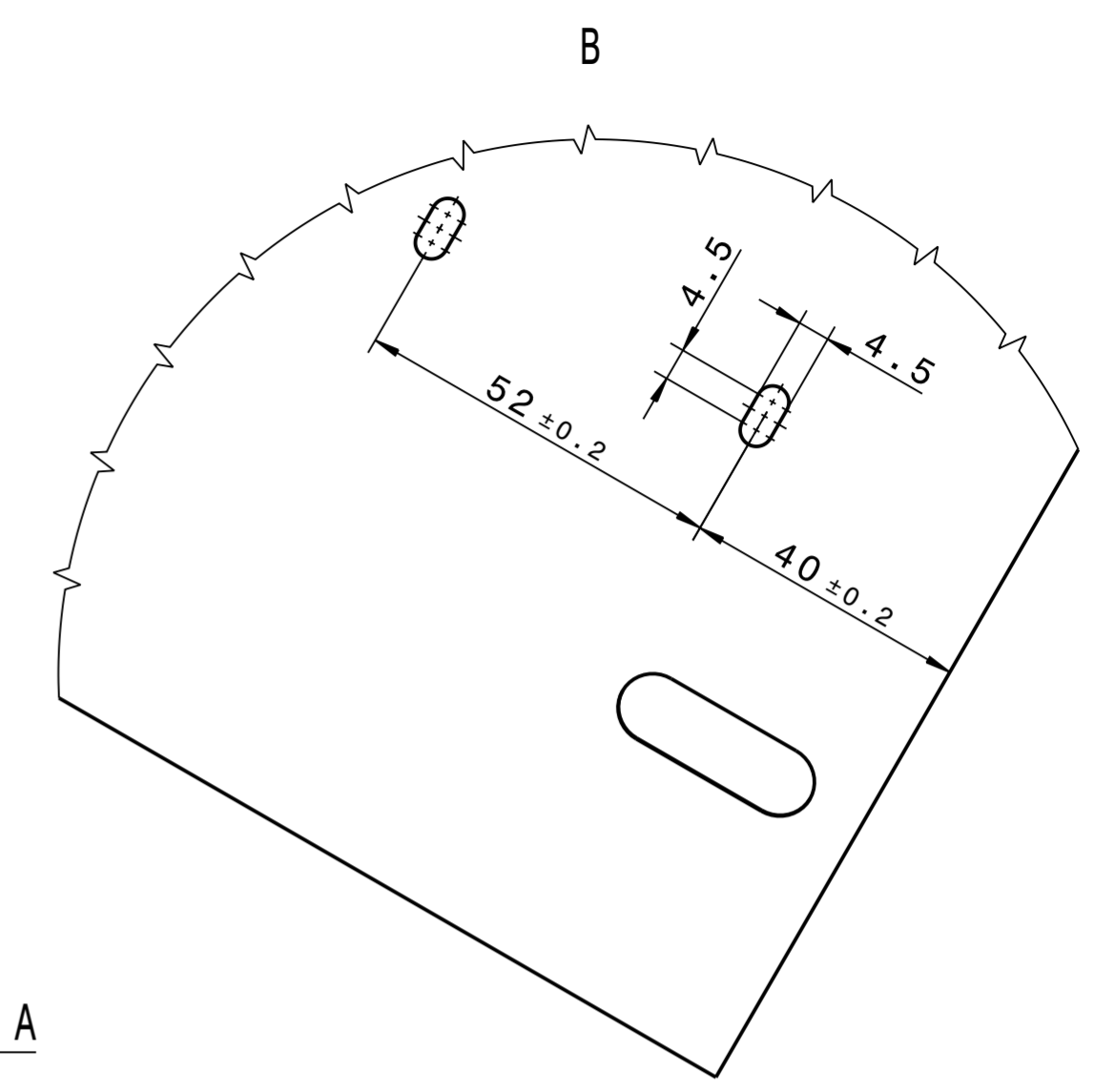
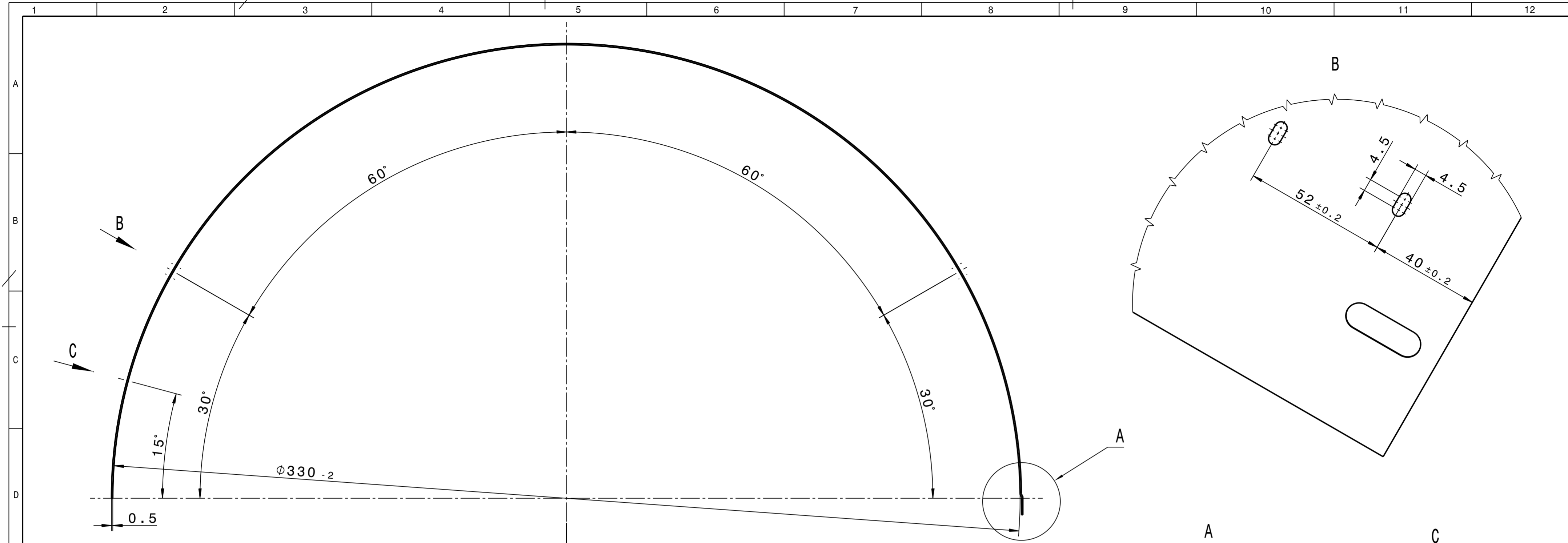
Kanten ISO 13715 $\begin{matrix} +0.3 \\ -0.1 \end{matrix}$ $\begin{matrix} -0.3 \\ -0.1 \end{matrix}$

$\sqrt{Rz25}$

Copying of this document and giving it to others and the use of communication of the contents thereof are forbidden without express authority. Offenders are liable to the payment of damages. All rights are reserved in the event of the grant of a patent or the registration of a utility model or design.		Projection	Rev. No.	Rev.-Doc.-No.	Date	Name
		Surfaces DIN ISO 1302	For information			
GSIT Helmholtzzentrum für Schwerionenforschung GmbH Planckstrasse 1, 64291 Darmstadt		Dimensions without tolerance indication DIN ISO 2768-mK EN ISO 13920-BF	Weight 0,032 kg Material EN AW-2007 (AlCu4PbMgMn)	Scale 1:1		
		Description Zentrierbolzen D		Size A3		
Drawn Checked Approved	Date 23.01.2015	Name Hartung, M.	Drawing No. BD-1019267-P-000		Rev. -	Sheet 1 of 1
KF		Prev. Dwg.		Repl. for		



Copying of this document and giving it to others and the use of communication of the contents thereof are forbidden without express authority. Offenders are liable to the payment of damages. All rights are reserved in the event of the grant of a patent or the registration of a utility model or design.		Projection 	Rev. No.	Rev.-Doc.-No.	Date	Name
		Surfaces DIN ISO 1302	For information			
GSIT Helmholtzzentrum für Schwerionenforschung GmbH Planckstrasse 1, 64291 Darmstadt		Dimensions without tolerance indication DIN ISO 2768-mK EN ISO 13920-BF	Weight 0,030 kg	Scale 1:1		Description Zentrierbolzen E
		Material EN AW-2007 (AlCu4PbMgMn)		Size A3		
Drawn 23.01.2015	Name Hartung, M.	Drawing No. BD-1019274-P-000		Rev. -	Sheet 1 of 1	
Checked		Prev. Dwg.		Repl. for		
Approved						
KF						

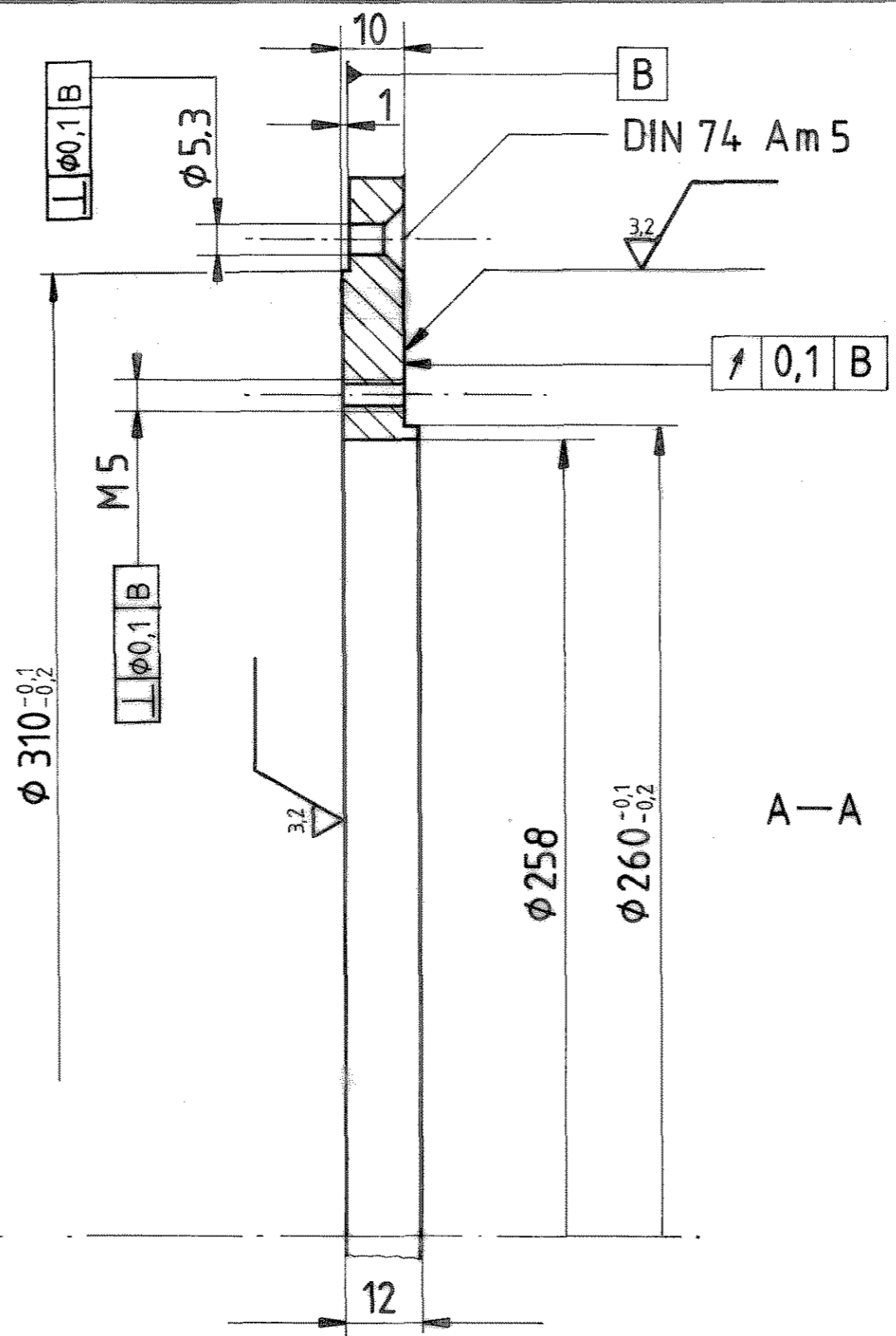
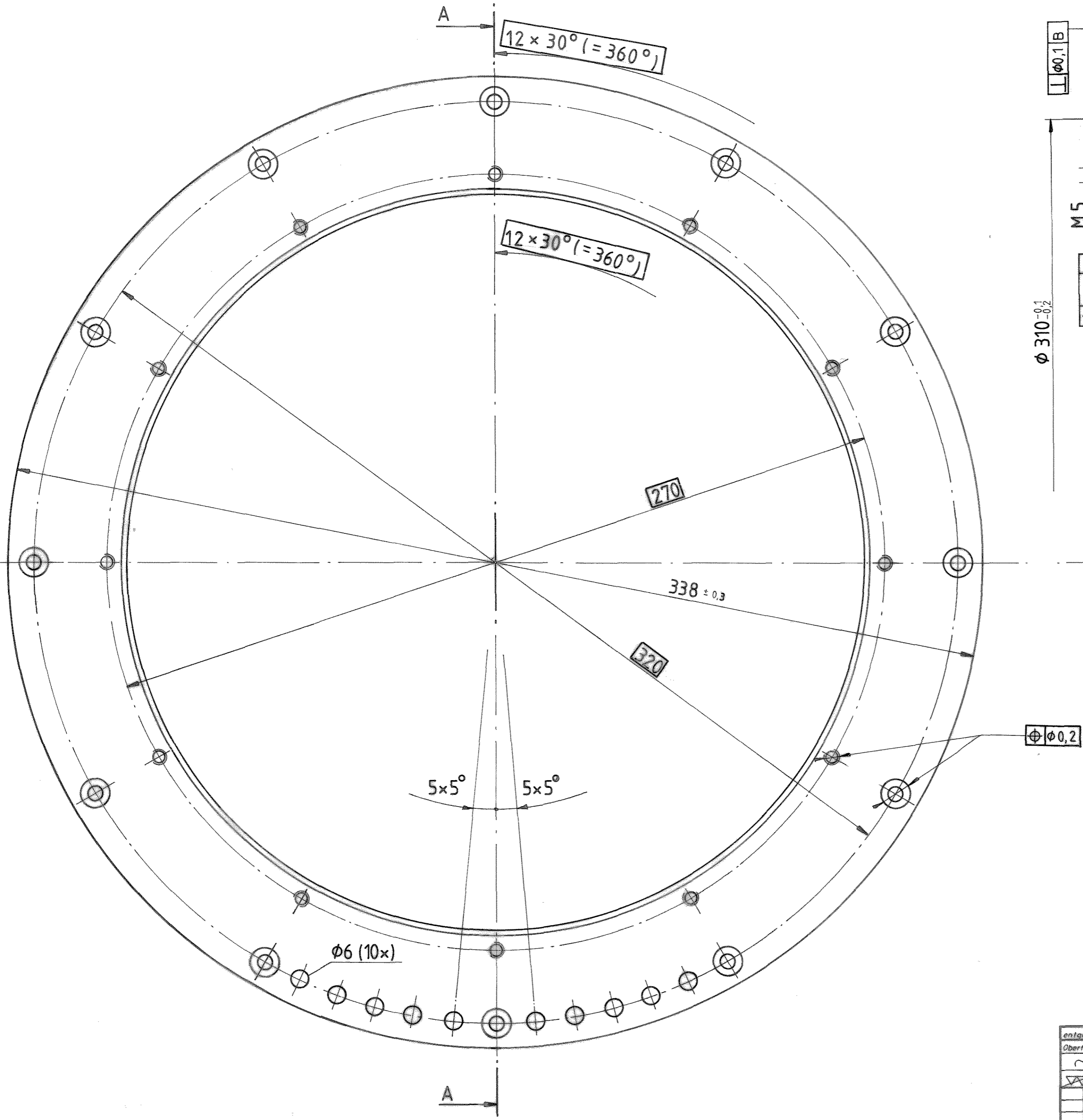


Kanten ISO 13715

+0.3	-0.3
-0.1	-0.1

Rz25

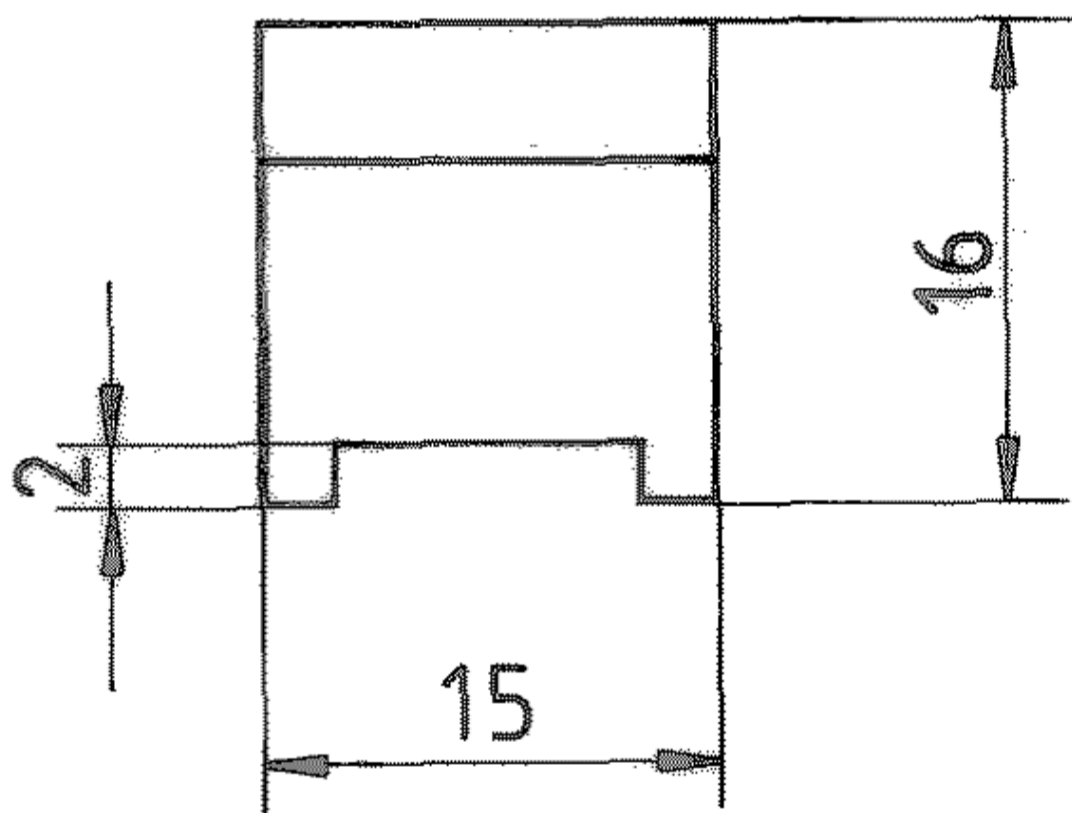
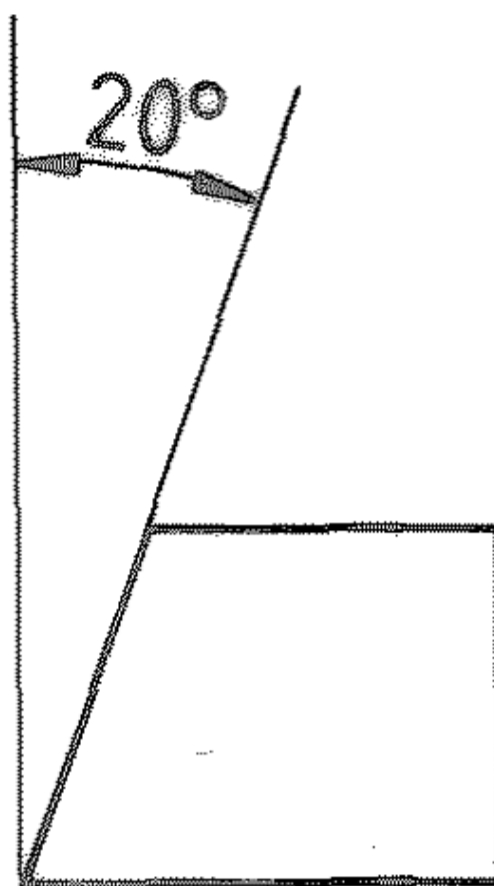
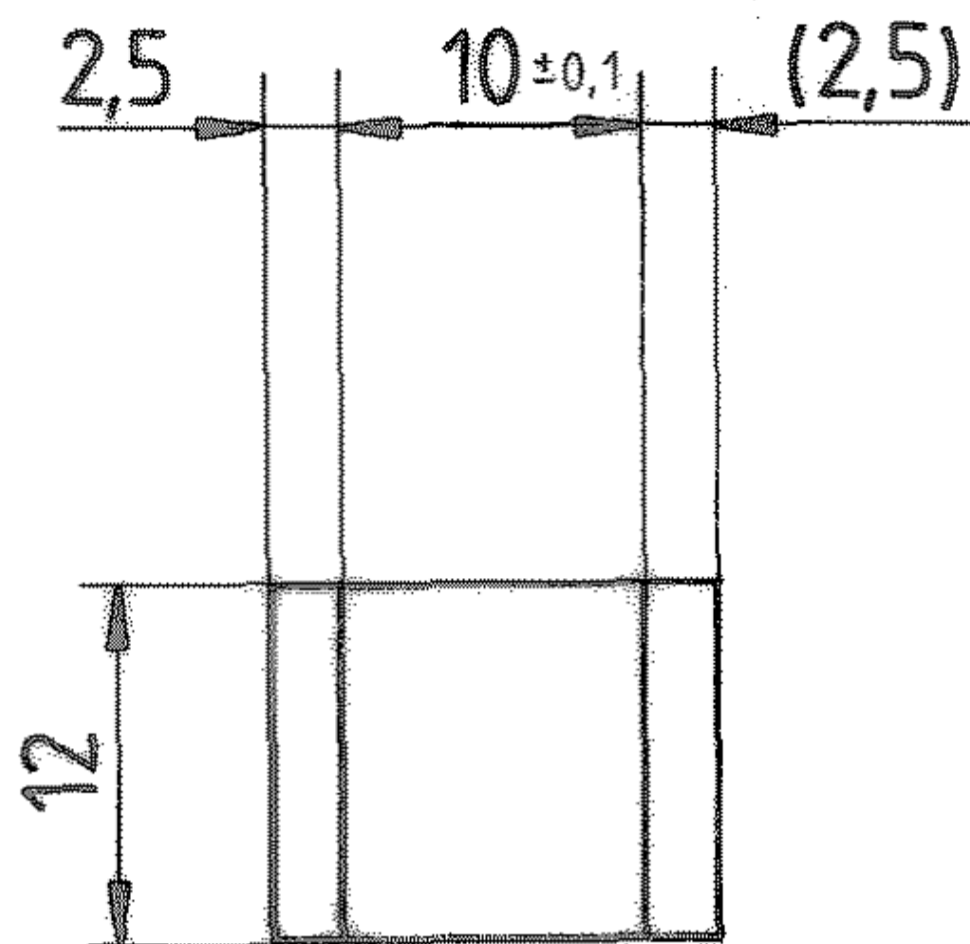
Copying of this document and giving it to others and the use of communication of the contents thereof are forbidden without express authority. Offenders are liable to the payment of damages. All rights are reserved in the event of the grant of a patent or the registration of a utility model or design.		Projection	Rev. No.	Rev.-Doc.-No.	Date	Name
			-	-	-	-
gsi Helmholtzzentrum für Schwerionenforschung GmbH Planckstrasse 1, 64291 Darmstadt		Surfaces	For information			
		DIN ISO 1302	Dimensions without tolerance indication	Weight	0,308 kg	Scale
Drawn Checked Approved		DIN ISO 2768-mK EN ISO 13920-BF	Material	EN CW020A (Cu-PHC / SE-Cu)	Size	
		Date: 23.01.2015 Name: Dorn, C.	Description	Abschirmblech el.		
KF		Drawing No.	BD-1019289-P-000	Rev.	-	Sheet 1 of 1
		Prev. Dwg.	-	Repl. for	-	-



enlgrat		Freimaß-toleranzen		Gewicht		Werkstoff:		Maßstab	
Oberfl. nach DIN 3141, Reihe		DIN		1		AlMg 3 F 26		1:1	
~	▽	▽	▽	7168 m	1985	Tag	Name	Blatt-Nr.	
▽▽	▽	▽	▽	1985	19.09.	H. Ziegler		Blattanzahl	
					Gepr.	GSI-ALUBESTÄNDIG		Tragring B	
					Norm.			SIS - DS 070.000.030	
Ausgabe		Änderung		Tag		Name		Ersatz für:	
								Ersetzt durch:	

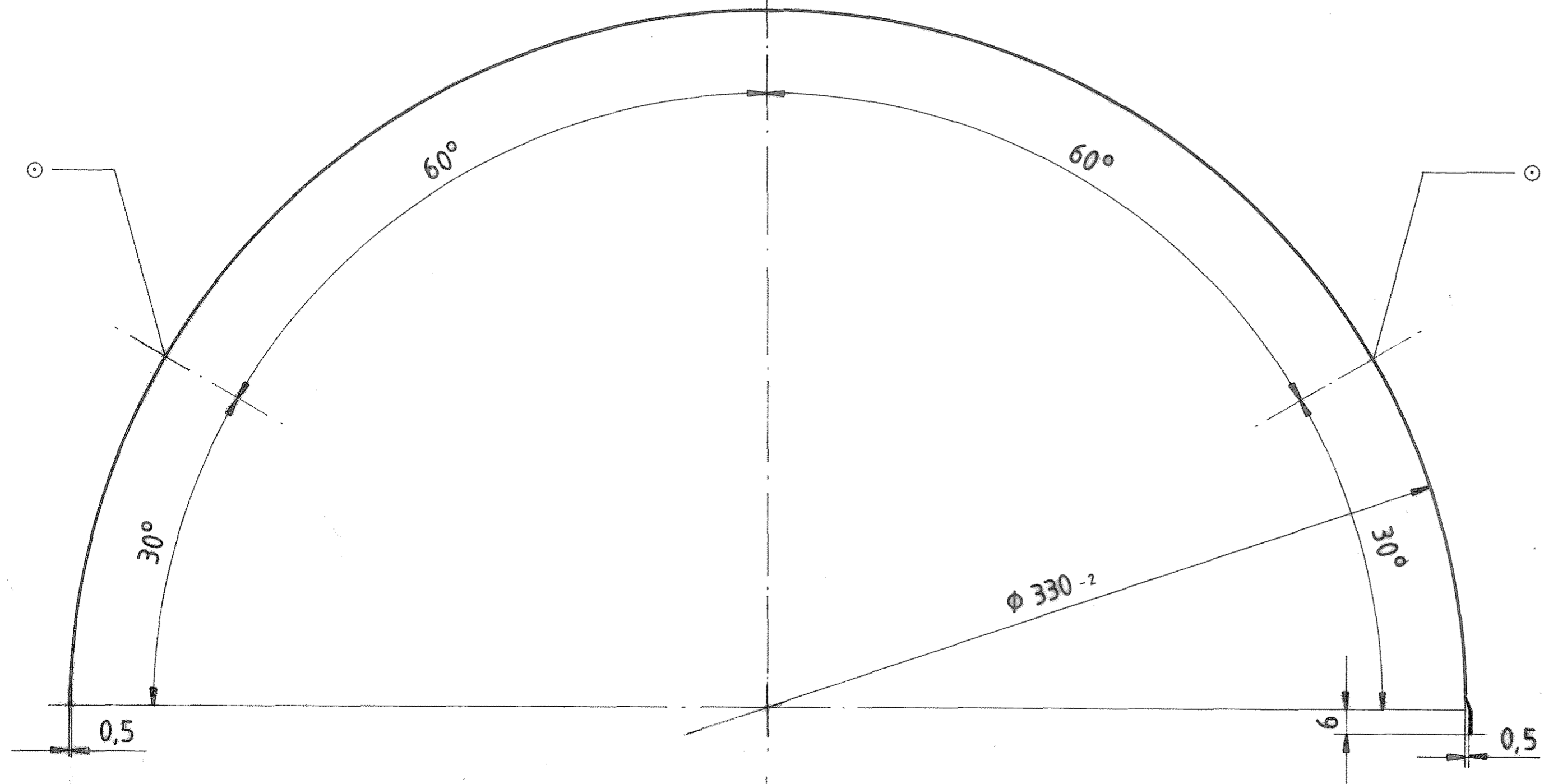
Für diese Zeichnung sind nur die Rechte vor. auch für den Fall der
 Nachfertigung oder Nachbearbeitung. Eine weitere Verwertung dieser
 Zeichnung ist ohne schriftliche Genehmigung des Erfinders nicht zulässig.
 Die Haftung für die Richtigkeit der Zeichnung ist nur dem Erfinder zu
 schreiben. Die Haftung für die Richtigkeit der Zeichnung ist nicht zu
 übertragen. Die Haftung für die Richtigkeit der Zeichnung ist nicht zu
 übertragen. Die Haftung für die Richtigkeit der Zeichnung ist nicht zu
 übertragen.

GSI-Lager Nr. 8305

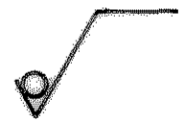
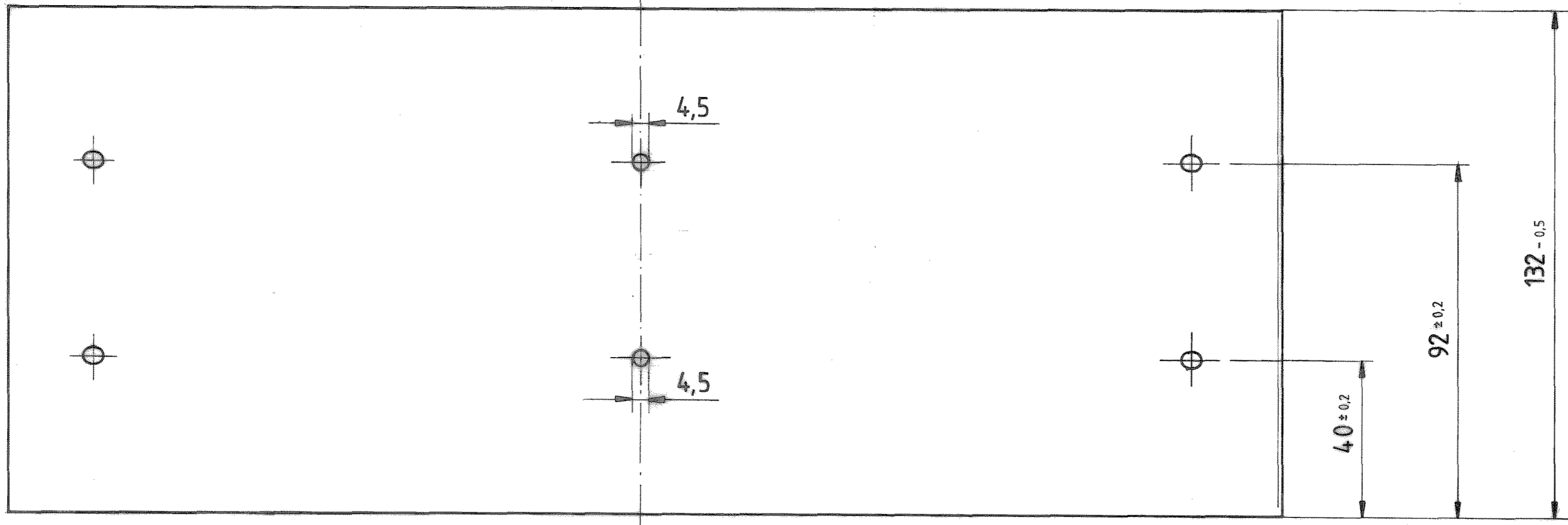


Für diese Zeichnung beauftragen wir uns alle Rechte vor, auch für den Fall der Patenterteilung oder Gebrauchsmustereintragung. Ohne unsere vorherige Zustimmung darf diese Zeichnung weder vervielfältigt noch Dritten zugänglich gemacht werden; als darf durch den Empfänger oder Dritte auch nicht in anderer Weise mißbräuchlich verwendet werden. Zusicherungen verpflichten zu Schadensersatz und können irreführende Folgen haben.

entgratet		Freimaßtoleranzen DIN 7168		Gewicht kg / Stck. siehe Stückliste	Werkstoff: Stesalit (EP - GF)	Maßstab 2:1
Oberfl. nach DIN 3141, Reihe		1985 Tag		Name	Klemmstück B	Blatt - Nr.
2		Bearb. 16.09.		H. Oegg		Blattanzahl
Vgk		Gepr. GSI-ALTB/2		Norm.		
					SIS - DS 070.000.080	
Ausgabe	Änderung	Tag	Name	Ersatz für: Ersetzt durch:		
				GSI DARMSTADT		



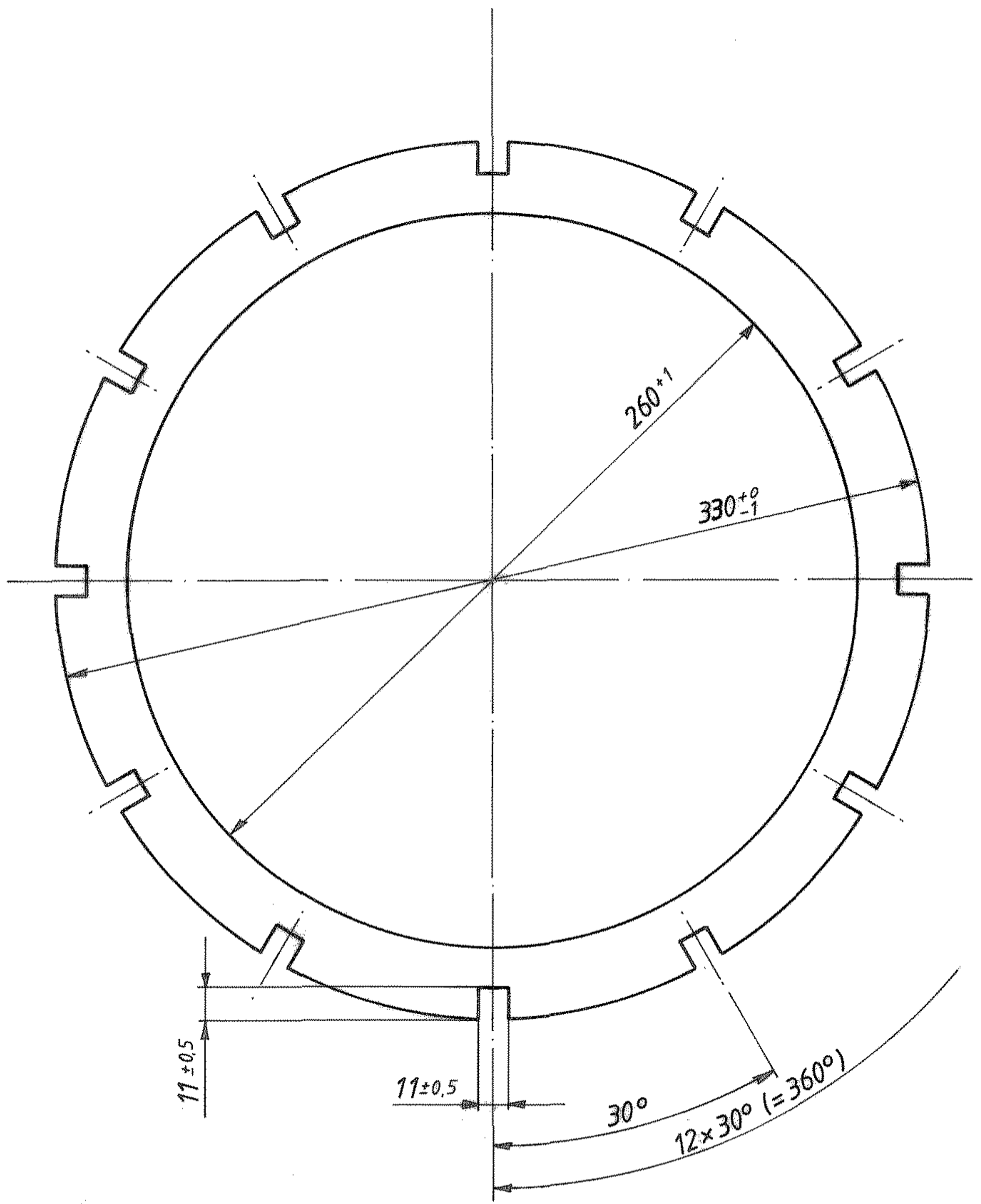
⊙ je 2 Langlöcher 4,5 x 9



Für diese Zeichnung gelten die Regeln der DIN 9130, 9131, 9132, 9133, 9134, 9135, 9136, 9137, 9138, 9139, 9140, 9141, 9142, 9143, 9144, 9145, 9146, 9147, 9148, 9149, 9150, 9151, 9152, 9153, 9154, 9155, 9156, 9157, 9158, 9159, 9160, 9161, 9162, 9163, 9164, 9165, 9166, 9167, 9168, 9169, 9170, 9171, 9172, 9173, 9174, 9175, 9176, 9177, 9178, 9179, 9180, 9181, 9182, 9183, 9184, 9185, 9186, 9187, 9188, 9189, 9190, 9191, 9192, 9193, 9194, 9195, 9196, 9197, 9198, 9199, 9200.

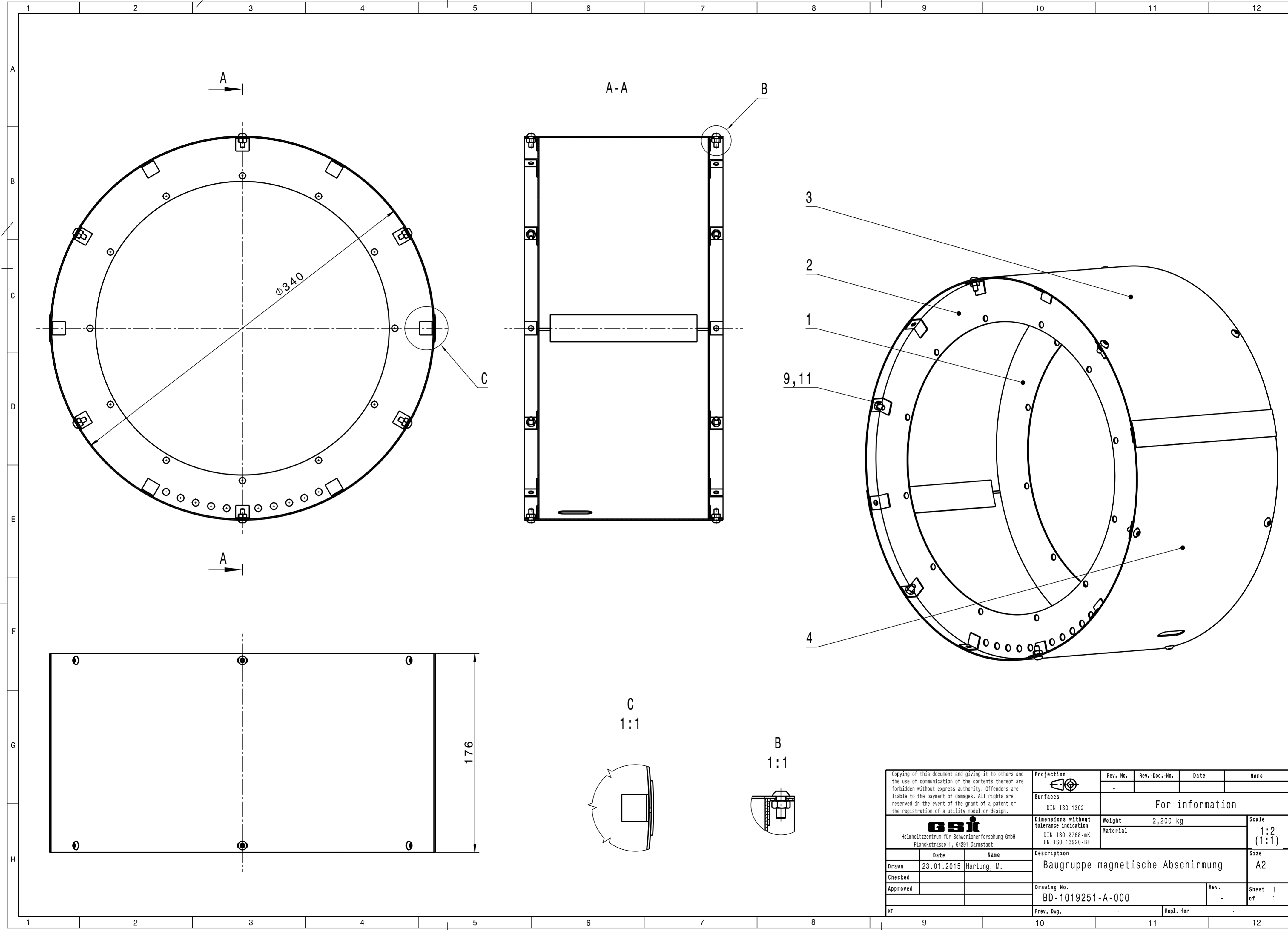
entgrätet		Freimaß-toleranzen	Gewicht	Werkstoff:	Maßstab
Oberfl. nach DIN 3141, Reihe		DIN	kg/Stück	SE - Cu	1:1
▽▽▽		7168 m	2		Blatt-Nr.
		1985 Tag	Name	Abschirmblech, el.	Blattanzahl
		Bearb. 18.09.	H. Reitz		
		Gepr. AQUALBEST			
		Norm.			
		GSI		SIS - DS 070.000.090	
		DARMSTADT		Ersatz für:	
Aus-gabe		Änderung		Ersetzt durch:	
Tag		Name			

Für diese Zeichnung behalten wir uns alle Rechte vor, auch für den Fall der Patentverletzung oder Gebrauchsmustererfindung. Ohne unsere vorherige Zustimmung darf diese Zeichnung weder vervielfältigt noch Dritten zugänglich gemacht werden; sie darf durch den Empfänger oder Dritte auch nicht in anderer Weise unbefugt vervielfältigt werden. Zweifelsfälle sind dem Auftraggeber zu klären. Ersatz und können strafrechtliche Folgen haben.



t = 1

Vergleich der Oberflächengüten DIN, ISO 1302		Freimaß- toleranzen	Gewicht kg / Stck.	Werkstoff:	Maßstab
R _a (µm)	12,5 N10				
R _z (µm)	√R _z 100	√R _z 25	√R _z 5,3	√R _z 1	Blatt - Nr.
DIN 3141 Reihe 2		1987	Tag	Name	
~		Bearb.	04.02.	Johb	Abschirmscheibe, magnetisch
		Gepr.	GSI		
		Norm			Ersatz für: Ersetzt durch:
a	Maß 330 war 310	11/2 88	OK		
Ausgabe	Änderung	Tag	Name	GSI DARMSTADT	



Copying of this document and giving it to others and the use of communication of the contents thereof are forbidden without express authority. Offenders are liable to the payment of damages. All rights are reserved in the event of the grant of a patent or the registration of a utility model or design.		Projection 	Rev. No.	Rev.-Doc.-No.	Date	Name
		Surfaces DIN ISO 1302	For information			
Gsi Helmholtzzentrum für Schwerionenforschung GmbH Planckstrasse 1, 64291 Darmstadt		Dimensions without tolerance indication DIN ISO 2768-mK EN ISO 13920-BF	Weight 2,200 kg Material	Scale 1:2 (1:1)		Size A2
Drawn 23.01.2015 Hartung, M.	Name Baugruppe magnetische Abschirmung	Description Baugruppe magnetische Abschirmung	Drawing No. BD-1019251-A-000	Rev. -	Sheet 1 of 1	
Checked 	Approved 	Prev. Dwg. 	Repl. for 			

Copying of this Document, and giving it to others and the use of communication of the contents thereof, are forbidden without express authority. Offenders are liable to the payment of damages. All rights are reserved in the event of the grant of a patent or the registration of a utility model or design.

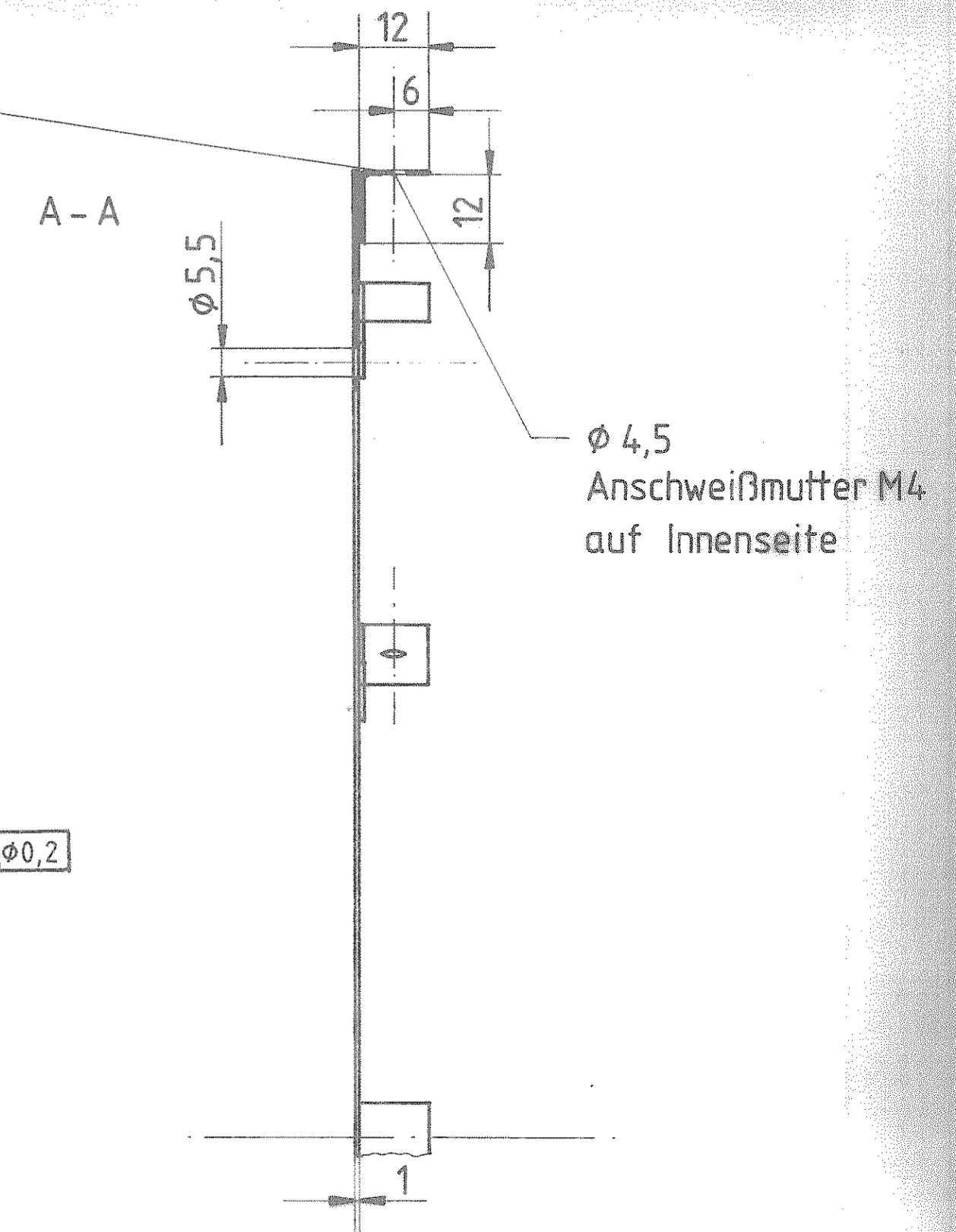
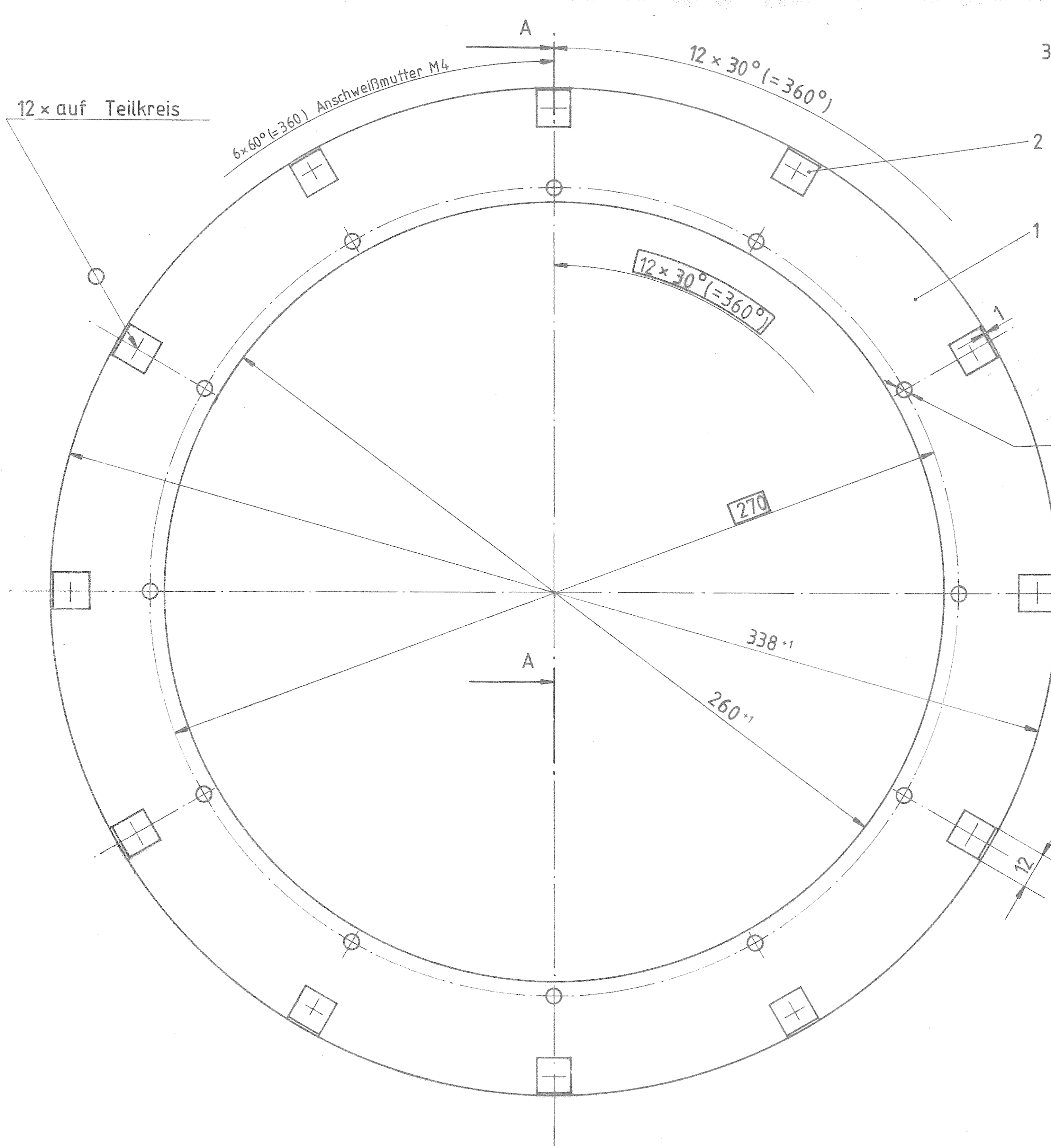


GSI Helmholtzzentrum für Schwerionenforschung GmbH
Planckstrasse 1, 64291 Darmstadt

	Date	Name
Drawn	23.01.2015	Hartung, M.
Checked		
Approved		

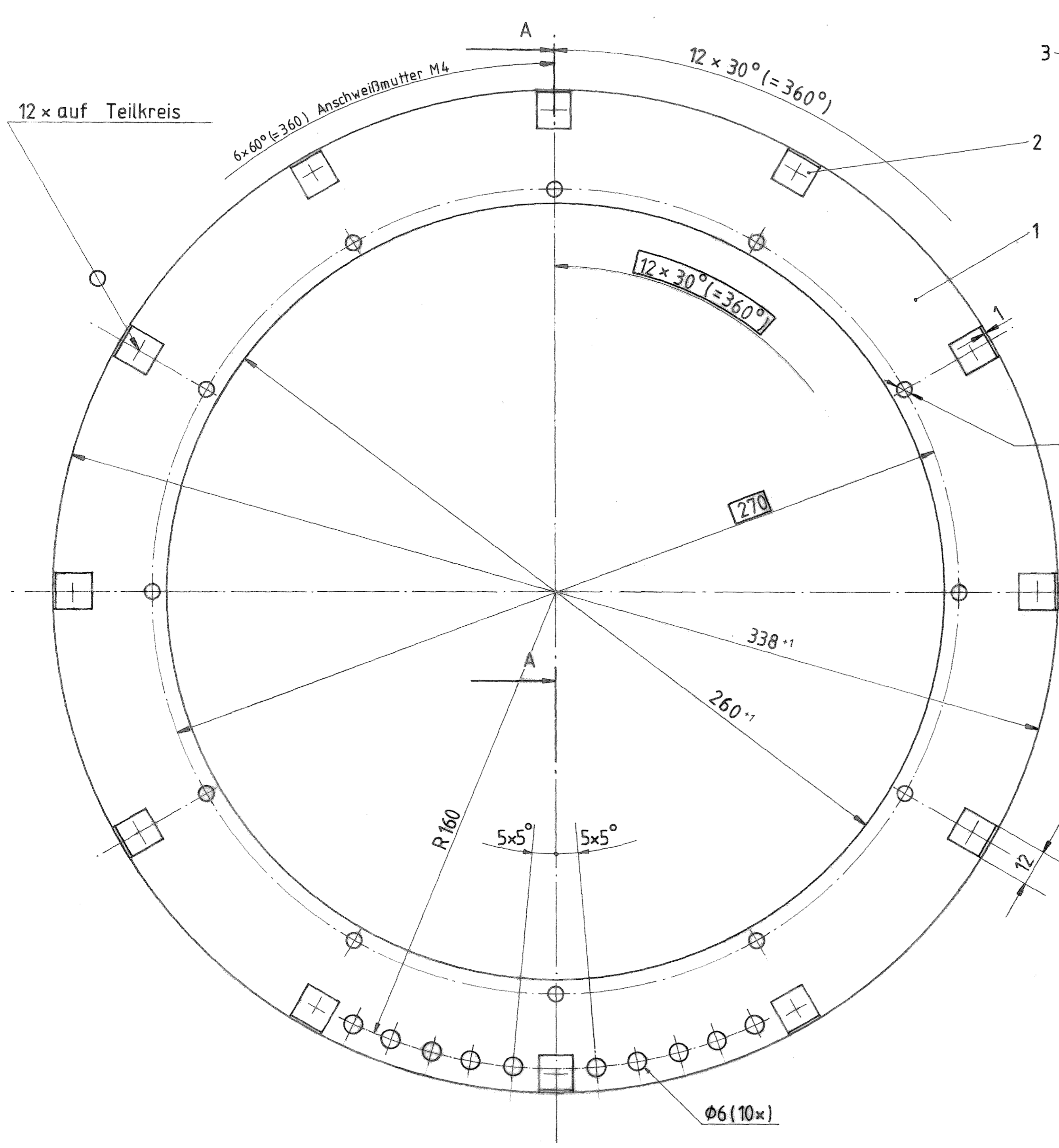
Rev. No.	Rev.-Doc.-No.	Date	Name
-			
For information			
Description			
Baugruppe magnetische Abschirmung			
Drawing No.			Rev.
BD-1019251-A-000			-
Prev. Dwg.		Repl. for	

Item	Qty.	Description	Drawing No.	Dimensions (finished part)	Standard / Source of supply	Material	Remark
1	1	Deckel für magn. innere Abschirmung A	SIS-DS070.040.000 (A)	Ø338x13		1.0503 (C45)	
2	1	Deckel für magn. innere Abschirmung B	SIS-DS070.090.000 (A)	Ø338x13		1.0503 (C45)	
3	1	Halbschale für magn. innere Abschirmung	BD-1019383-A-000 (-)	Ø340x176x1		1.0503 (C45)	
4	1	Halbschale fuer magn. innere Abschirmung	SIS-DS070.030.000 (-)	Ø340x176x1		1.0503 (C45)	
5							
6							
7							
8							
9	12	Schraube Rundkopf		M4x10	ISO 7380	A2	
10							
11	12	Sechskantmutter		M4	ISO 4032	A2	
12							
13							
14							
15							
16							



Pos.	Stck.	Benennung	Abmessung	Hersteller	Werkstoff	Bemerkung
1	1	Deckelscheibe	Dicke t = 1	Fa. VAC Hanau	Ni77Fe21Cu	Mumetall gegläht
2	12	Anschweißwinkel	"	"	"	"
3	6	Anschweißmutter	M4			
entartet		Freimaß-toleranzen	Werkstoff	Maßstab		
Oberfl. nach DIN 3141, Reihe		DIN 7168 m	1	Mumetall, gegläht 1:1		
1985 Tag		Name	Deckel für magn. A innere Abschirmung Blatt-Nr 1 Blattanzahl 1			
Bearb. 15.10.		Gepr. GSI ALTBEST				
Norm.						
a. Fa. (VAC) Hanau		GSI DARMSTADT SIS-DS 070.040				
Ausgabe		Ersatz für: Ersetzt durch:				

Für diese Zeichnung ist die Fertigung für die Fertigung der Zeichnung verantwortlich. Die Fertigung der Zeichnung ist die Verantwortung der Fertigung. Die Fertigung der Zeichnung ist die Verantwortung der Fertigung. Die Fertigung der Zeichnung ist die Verantwortung der Fertigung.

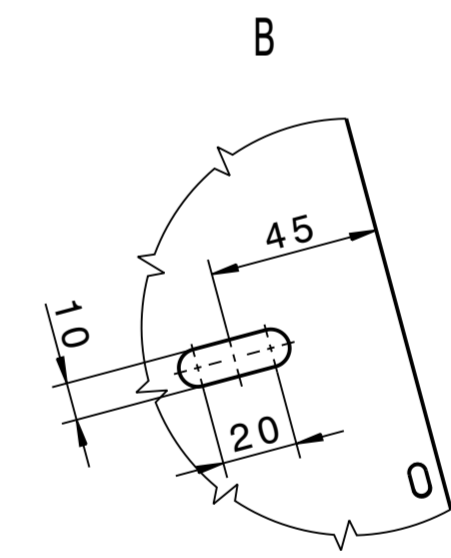
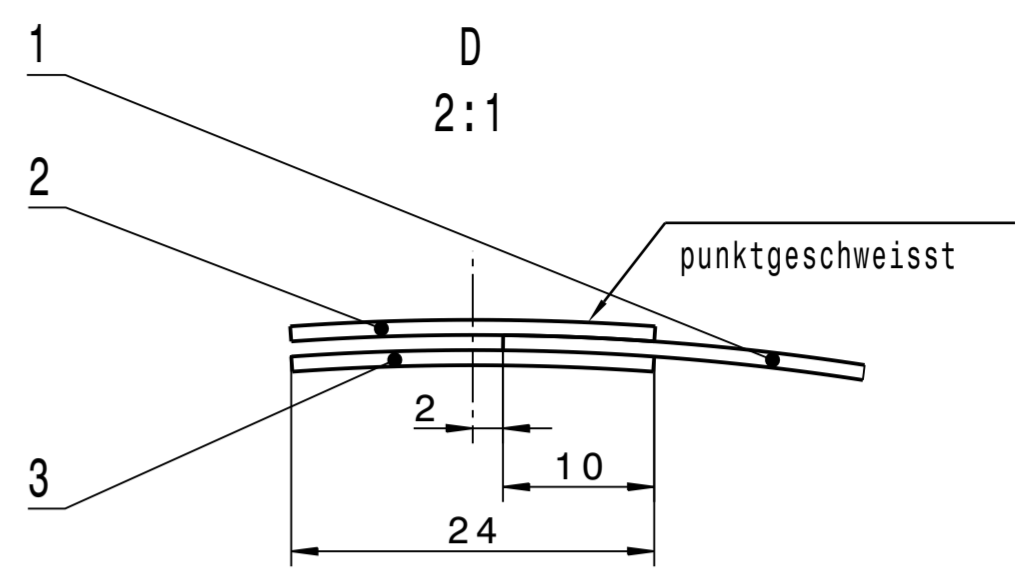
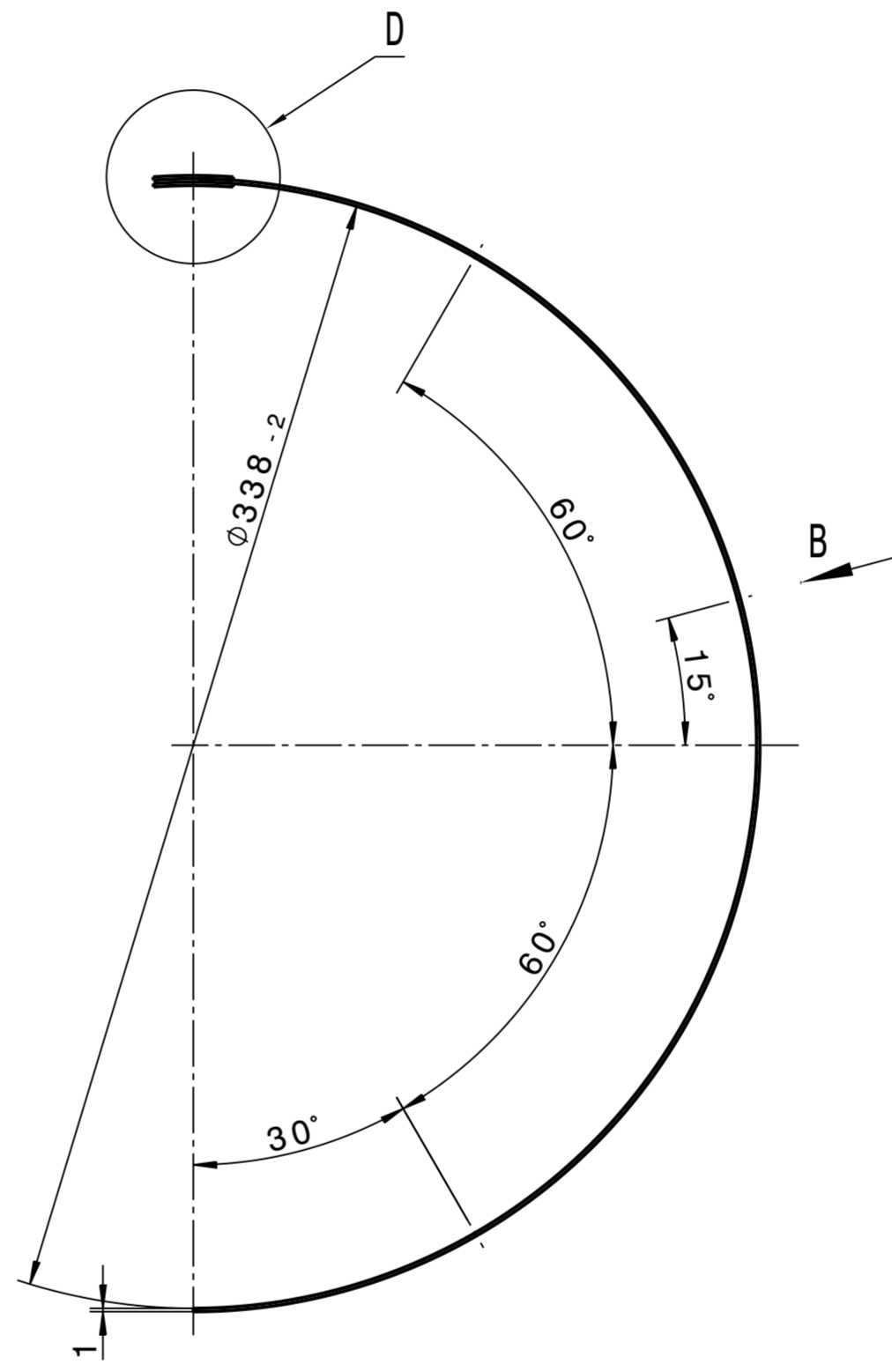
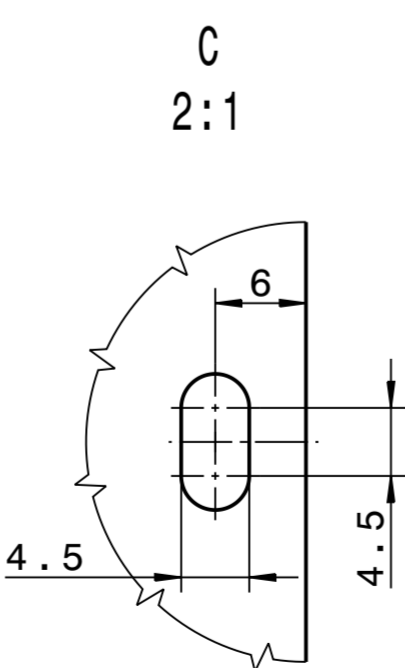
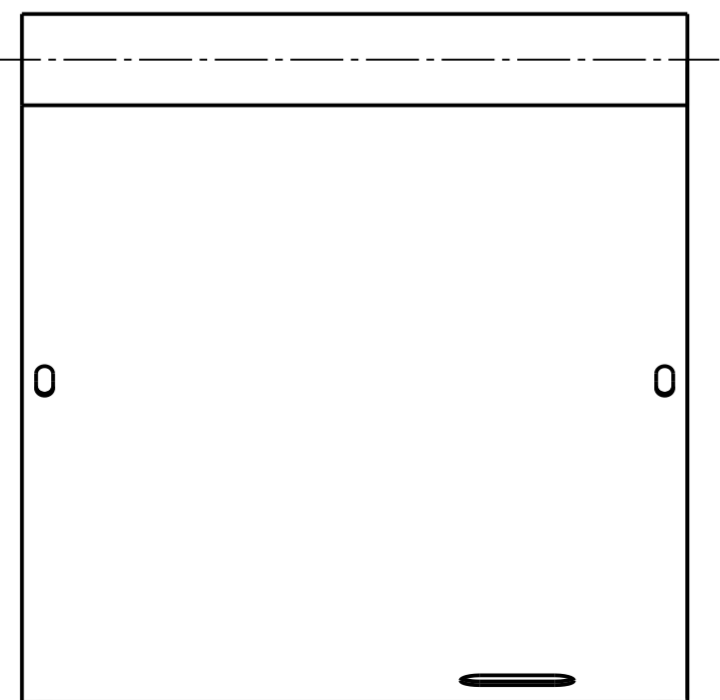
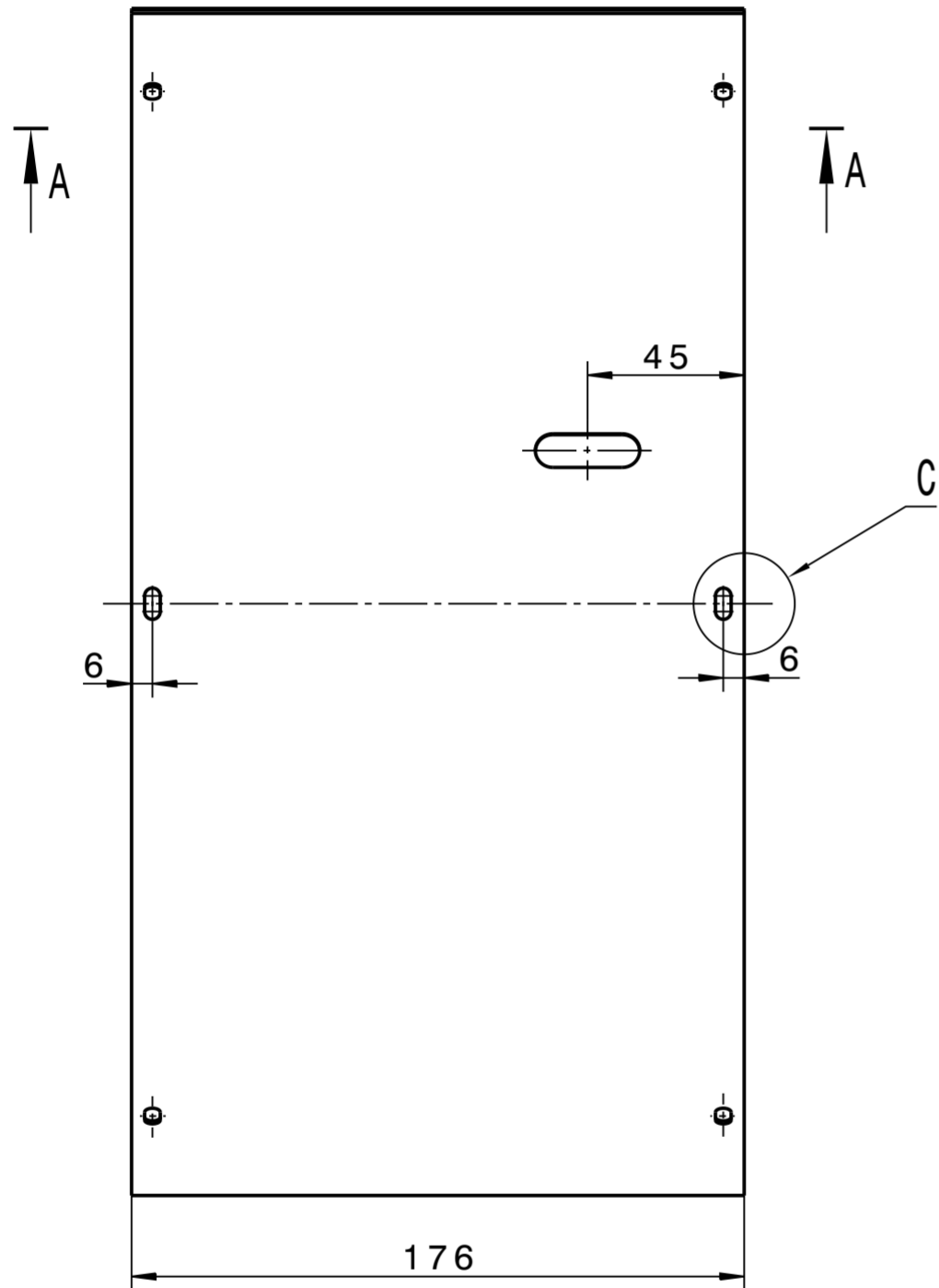
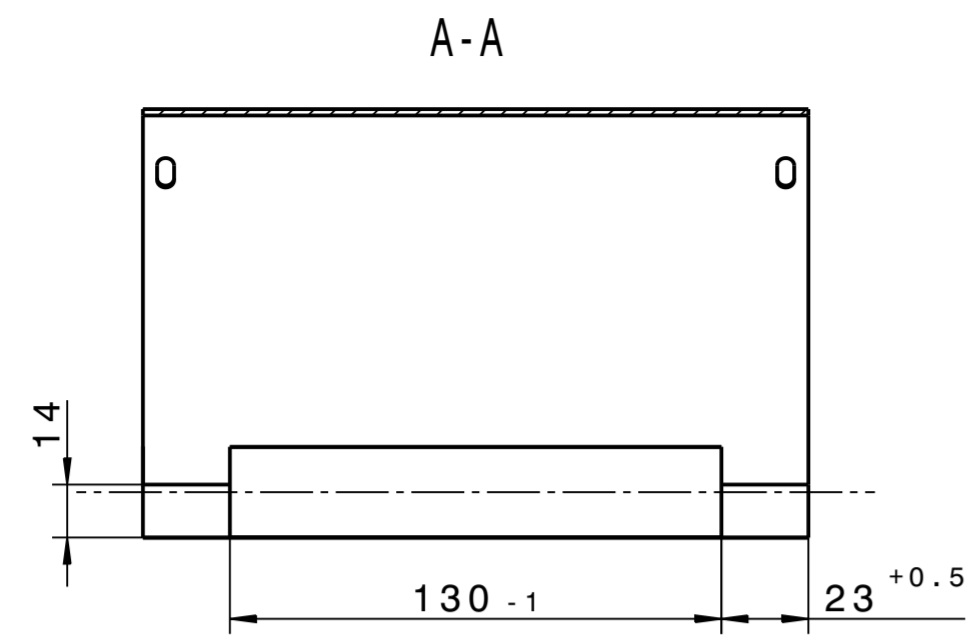


A - A

Ø 4,5
Anschweißmutter M4
auf Innenseite

1	1	Deckelscheibe	Dicke t = 1	Fa. VAC Hanau	Ni77Fe21Cu	Mumetall geglüht
2	12	Anschweißwinkel	"	"	"	"
3	6	Anschweißmutter	M4			
Pos.	Stck.	Benennung	Abmessung	Hersteller	Werkstoff	Bemerkung
entgratet		Freimaßtoleranzen	Gewicht kg/ Stck.	Werkstoff:		Maßstab
Oberfl. nach DIN 3141, Reihe		DIN 7168 m	1	Mumetall, geglüht		1:1
1985 Tag		Name	Deckel für magn. B innere Abschirmung		Blatt-Nr. 1	Blattanzahl
Bearb. 15.10. 4.1.10		GSI ALBESTAND		SIS-DS 070.090		
Gepr.		Norm.		Ersatz für:		
a. 06 (Cov) / 10.10.18 (R. 10.18)		GSI DARMSTADT		Ersetzt durch:		
Ausgabe	Änderung	Tag	Name			

Für diese Zeichnung sind nur die Maße von den für die Fertigung der Bauteile vorgesehenen Werkstoffen zu verwenden. Die Fertigung ist nur nach den in dieser Zeichnung angegebenen Maßen zulässig. Die Fertigung ist nur nach den in dieser Zeichnung angegebenen Maßen zulässig. Die Fertigung ist nur nach den in dieser Zeichnung angegebenen Maßen zulässig.



Kanten ISO 13715 $\sqrt{+0.3}$ $\sqrt{-0.3}$ $\sqrt{-0.1}$ $\sqrt{Rz 25}$

Copying of this document and giving it to others and the use of communication of the contents thereof are forbidden without express authority. Offenders are liable to the payment of damages. All rights are reserved in the event of the grant of a patent or the registration of a utility model or design.		Projection DIN ISO 1302	Rev. No.	Rev.-Doc.-No.	Date	Name
Gsi Helmholtzzentrum für Schwerionenforschung GmbH Planckstrasse 1, 64291 Darmstadt		For information				
		Dimensions without tolerance indication DIN ISO 2768-mK EN ISO 13920-BF	Weight 0,800 kg	Material Mu-Metall, geblüht	Scale 1:2 (2:1)	Size A2
Drawn	Date 27.01.2015	Name Dorn, C.	Description Halbschale fuer magn. innere Abschirmung			
Checked			Drawing No. BD-1019383-A-000	Rev. -	Sheet 1 of 1	
Approved			Prev. Dwg.	Repl. for		

Copying of this Document, and giving it to others and the use of communication of the contents thereof, are forbidden without express authority. Offenders are liable to the payment of damages. All rights are reserved in the event of the grant of a patent or the registration of a utility model or design.

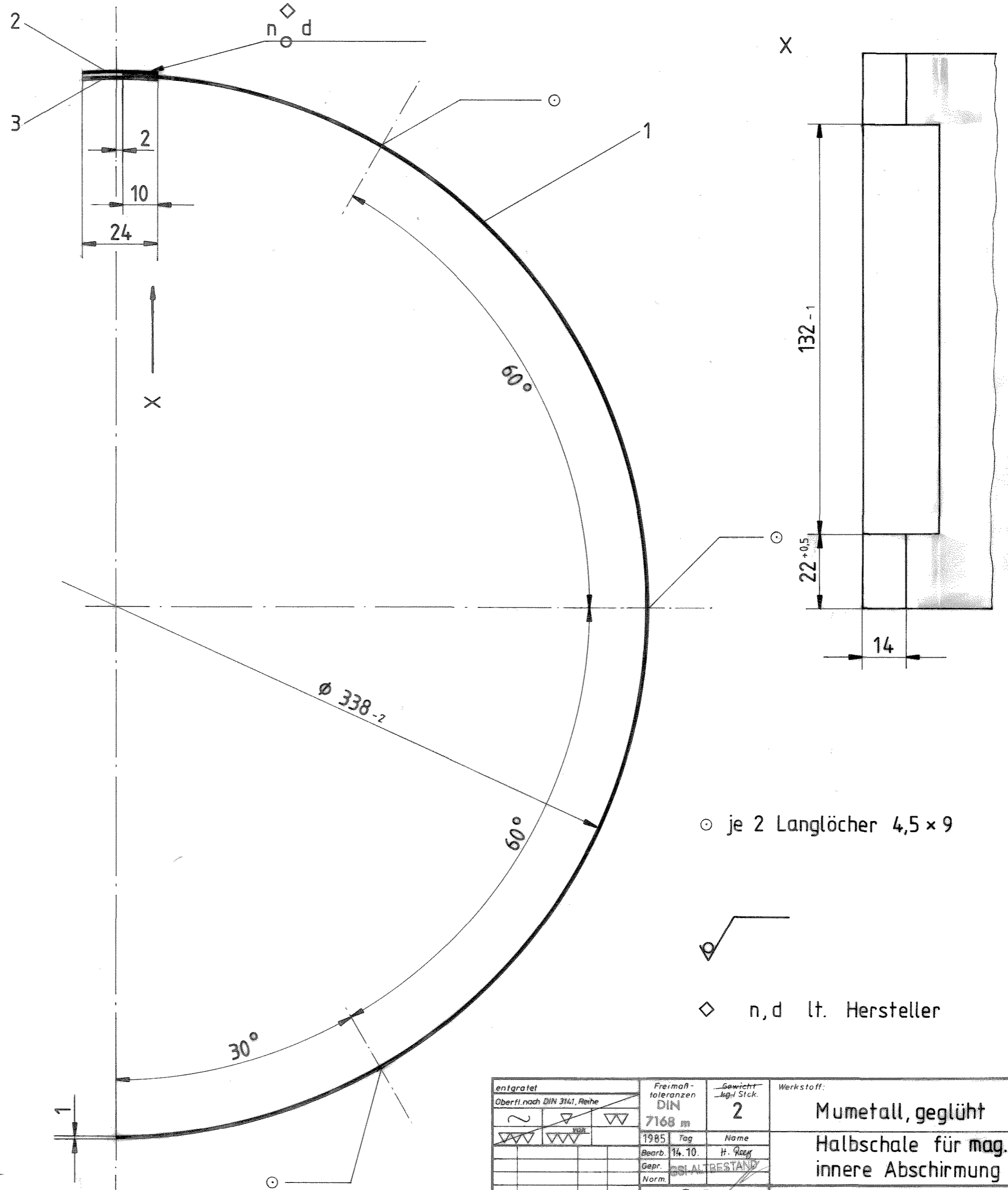
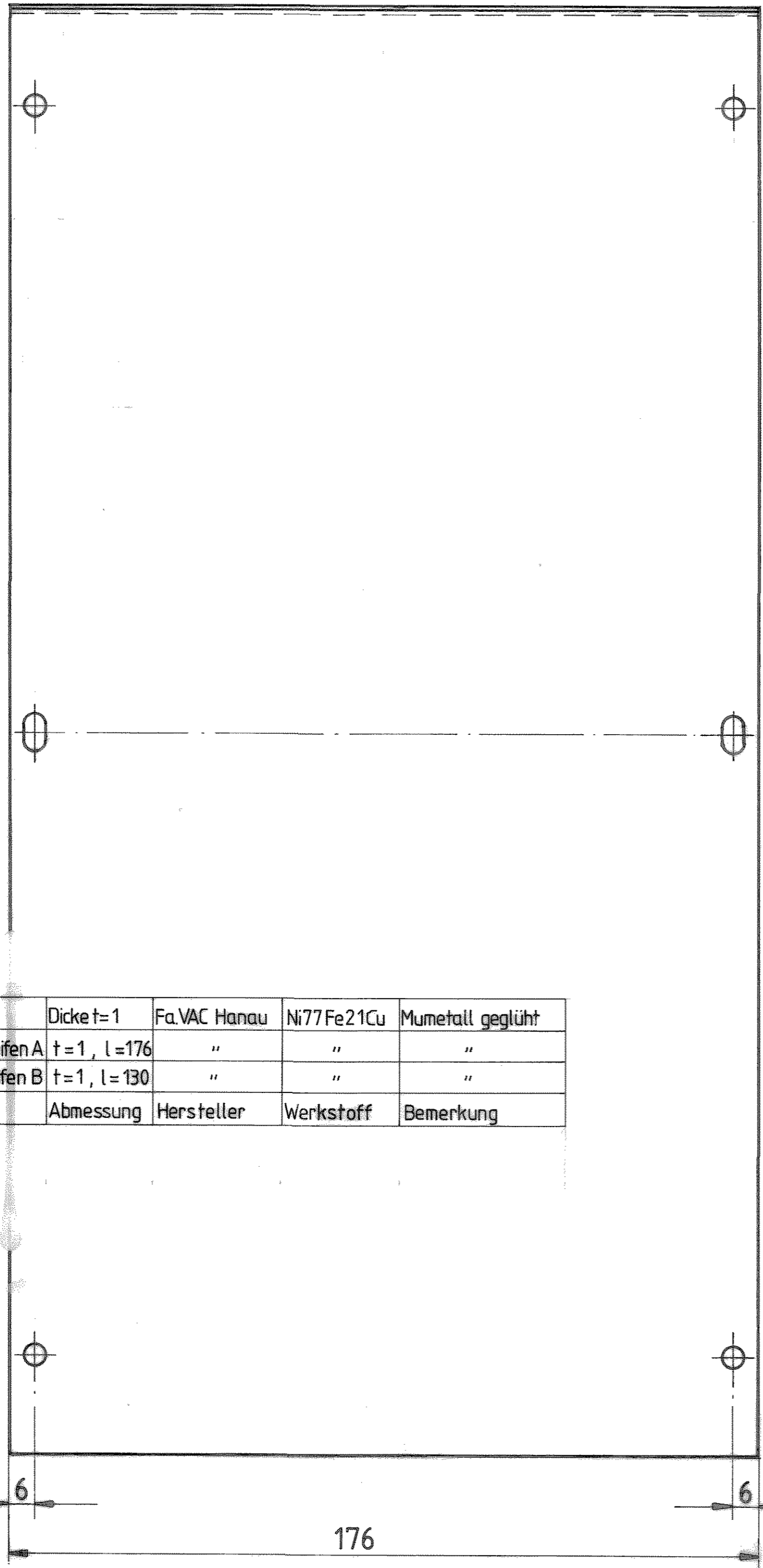


GSI Helmholtzzentrum für Schwerionenforschung GmbH
Planckstrasse 1, 64291 Darmstadt

	Date	Name
Drawn	27.01.2015	Dorn, C.
Checked		
Approved		

Rev. No.	Rev.-Doc.-No.	Date	Name
-			
For information			
Description Halbschale fuer magn. innere Abschirmung			
Drawing No. BD-1019383-A-000			Rev. -
Prev. Dwg.		Repl. for	

Item	Qty.	Description	Drawing No.	Dimensions (finished part)	Standard / Source of supply	Material	Remark
1	1	Halbzylinder		Ø340x176x1		Mu-Metall, geglüht	
2	1	Anschweißstreifen 176mm		176x24x1		Mu-Metall, geglüht	
3	1	Anschweißstreifen 130mm		130x24x1		Mu-Metall, geglüht	
4							
5							
6							
7							
8							
9							
10							
11							
12							
13							
14							
15							
16							



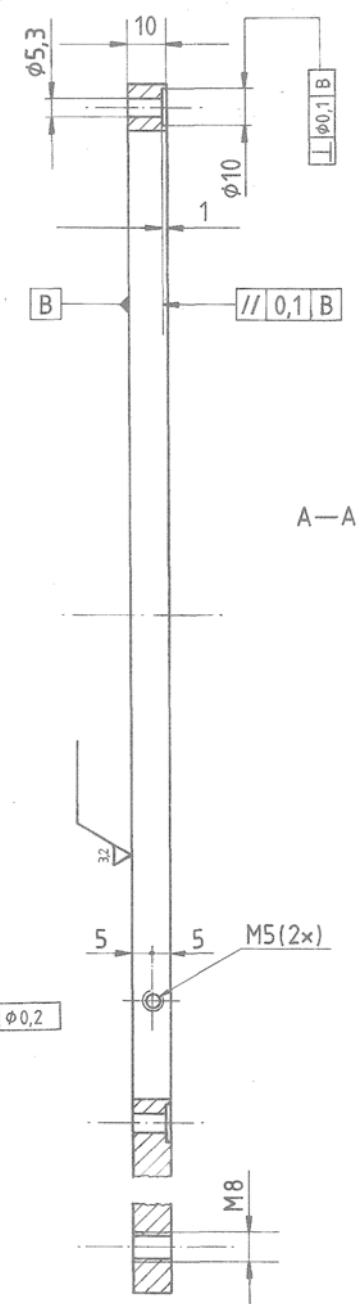
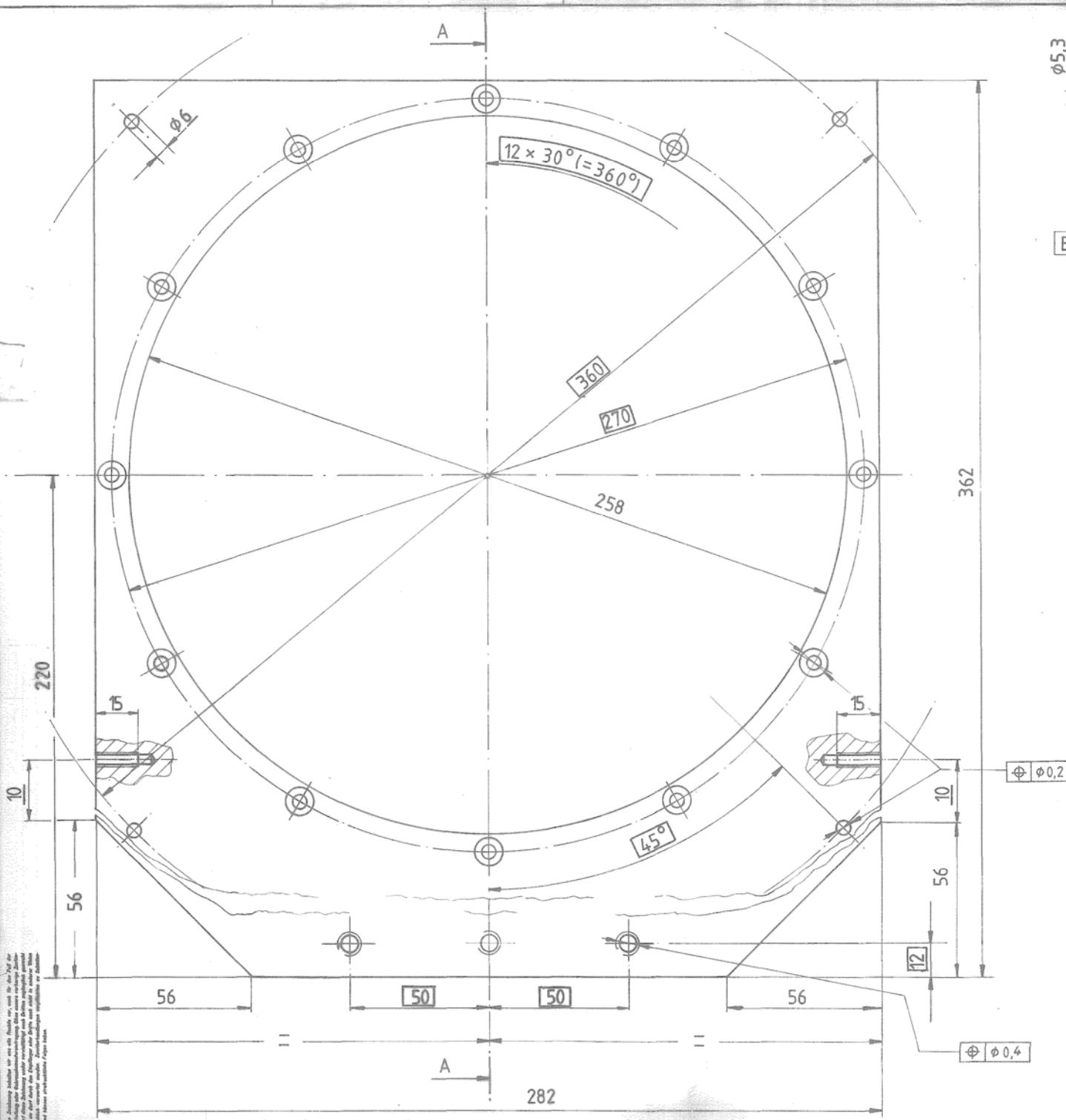
1	1	Halbzylinder	Dicke t=1	Fa.VAC Hanau	Ni77Fe21Cu	Mumetall gegläht
2	1	Anschweißstreifen A	t=1, l=176	"	"	"
3	1	Anschweißstreifen B	t=1, l=130	"	"	"
Pos.	Stck.	Benennung	Abmessung	Hersteller	Werkstoff	Bemerkung

○ je 2 Langlöcher 4,5 x 9

◇ n,d lt. Hersteller

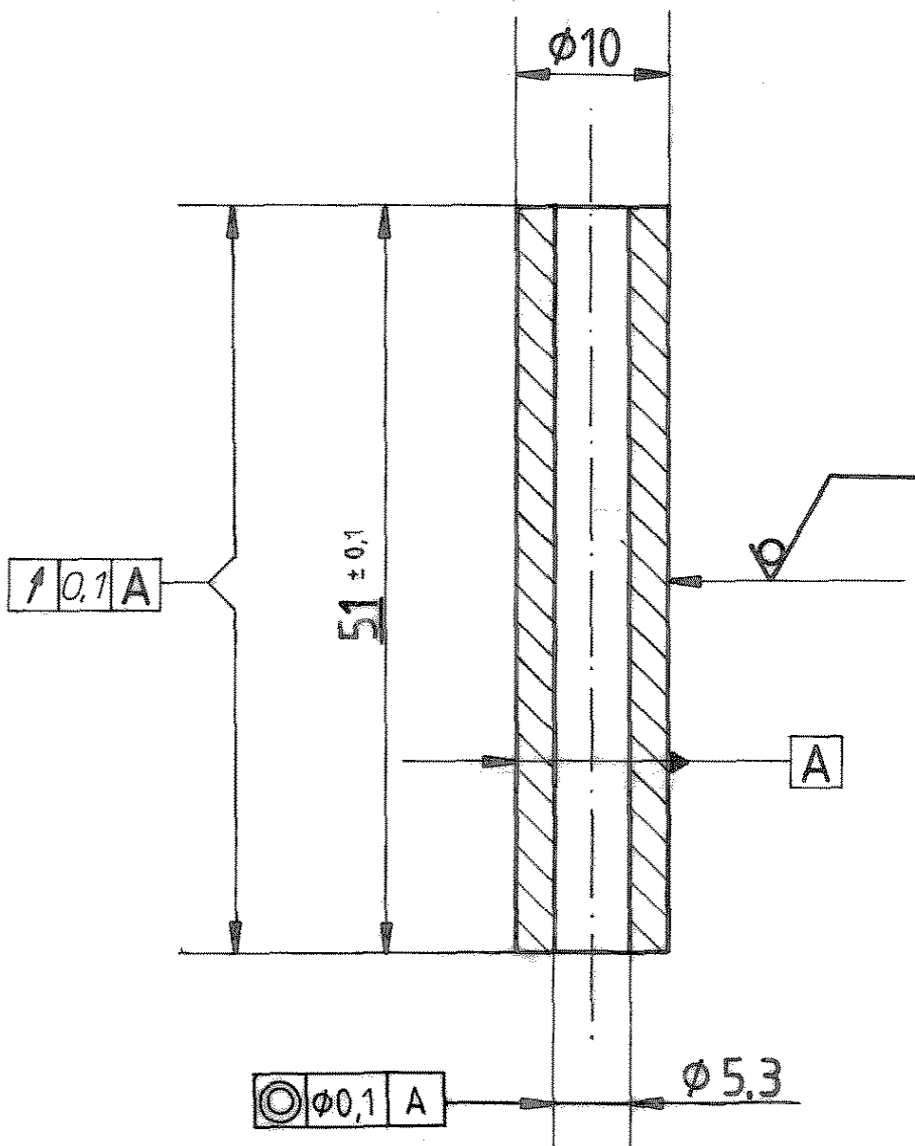
entgrät		Freimaß-toleranzen	Gewicht	Werkstoff:	Maßstab
Oberfl. nach DIN 3141, Reihe		DIN	kg/Stk.	Mumetall, gegläht	1:1
▽▽▽		7168 m	2	Halbschale für mag. innere Abschirmung	Blatt-Nr. 1
1985		Tag	Name	Blattanzahl	1
Bearb. 14.10.		H. Reeg			
Gepr. ALBESTAND		Norm.		S/S-DS 070.030	
Ausgabe		Änderung		Ersatz für:	
Tag		Name		Ersetzt durch:	
GSI		DARMSTADT			

Für diese Zeichnung sind die folgenden Angaben zu beachten: Die Zeichnung ist ein Entwurf und stellt keine Fertigungsanweisung dar. Die Fertigung ist nach den Angaben der Zeichnung durchzuführen. Die Fertigung ist nach den Angaben der Zeichnung durchzuführen. Die Fertigung ist nach den Angaben der Zeichnung durchzuführen.



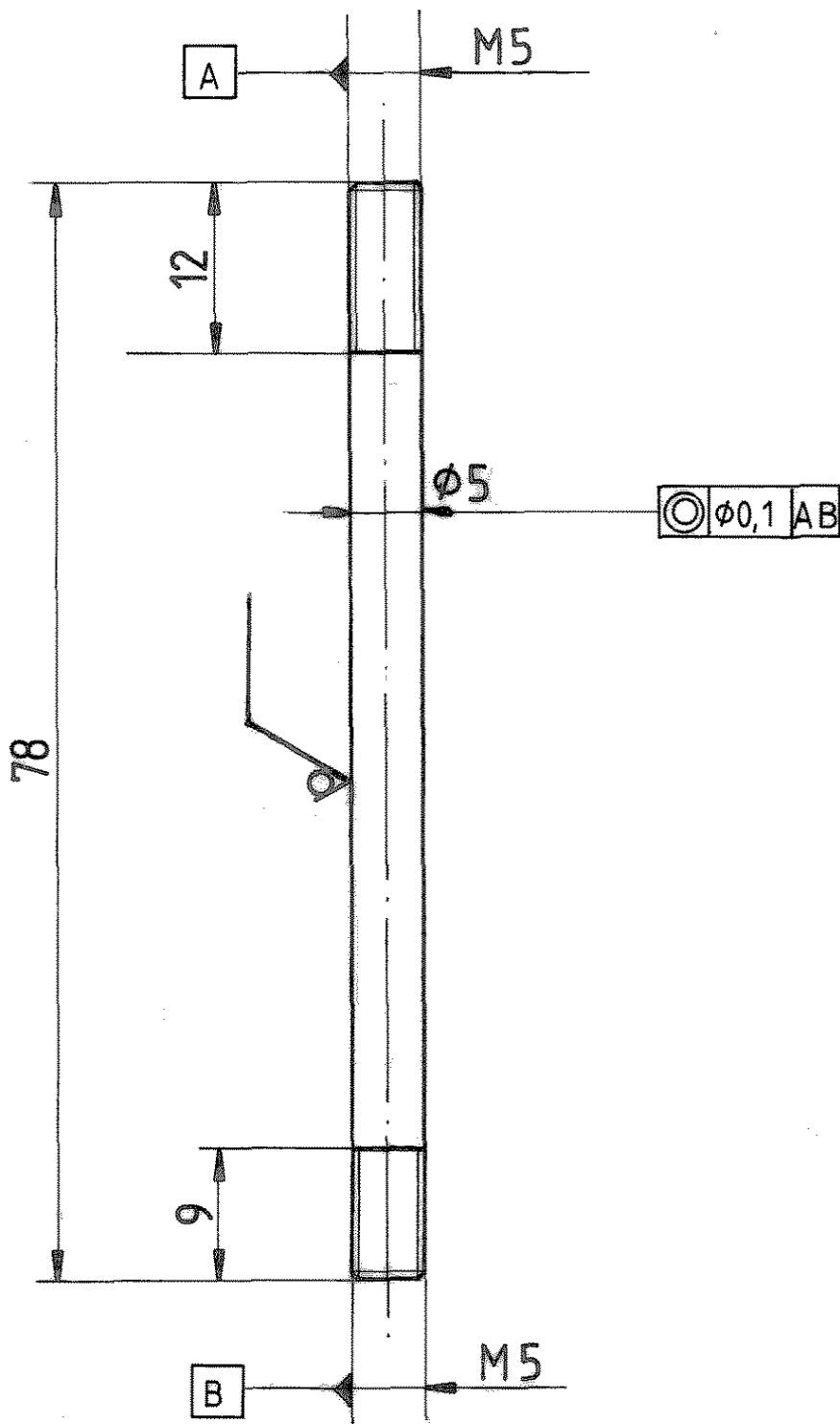
Die Zeichnung ist Eigentum der GSI Darmstadt. Sie ist ohne
 Genehmigung nicht abzugeben. Nachdruck, Verbreitung oder
 sonstiger Gebrauch ist ohne schriftliche Genehmigung der
 GSI Darmstadt ausdrücklich untersagt.

entgratet	Freimaß- toleranzen DIN 7168 m	Sechsw- kant-Stück 1	Werkstoff AlMg 3 F26	Maßstab 1:1
Oberfl. nach DIN 3141, Reihe ▽▽▽	1985	Tag	Name	Blatt-Nr.
17.09	Gepr.	GSI-AL	BESTIMMUNG	Blattanzahl
Norm	GSI			S/S-DS 070.000.010
Ausgabe	Änderung	Tag	Name	DARMSTADT
			Ersatz für	Ersetzt durch



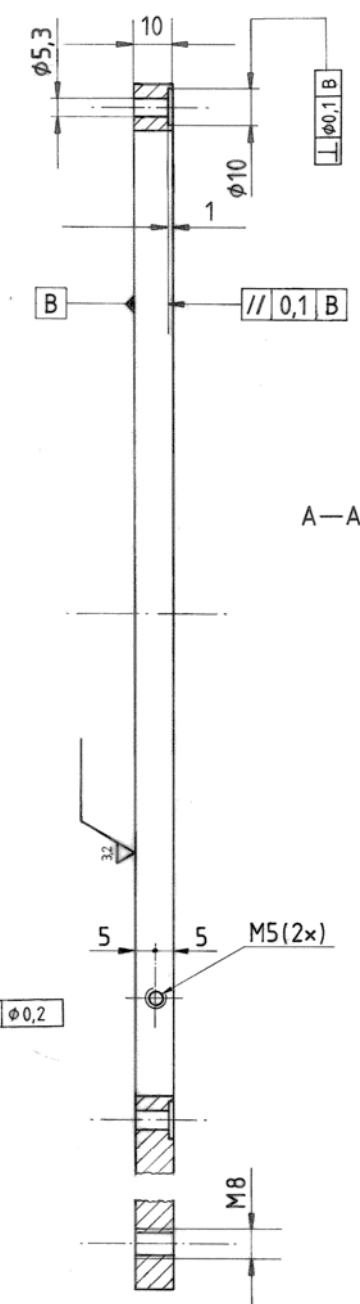
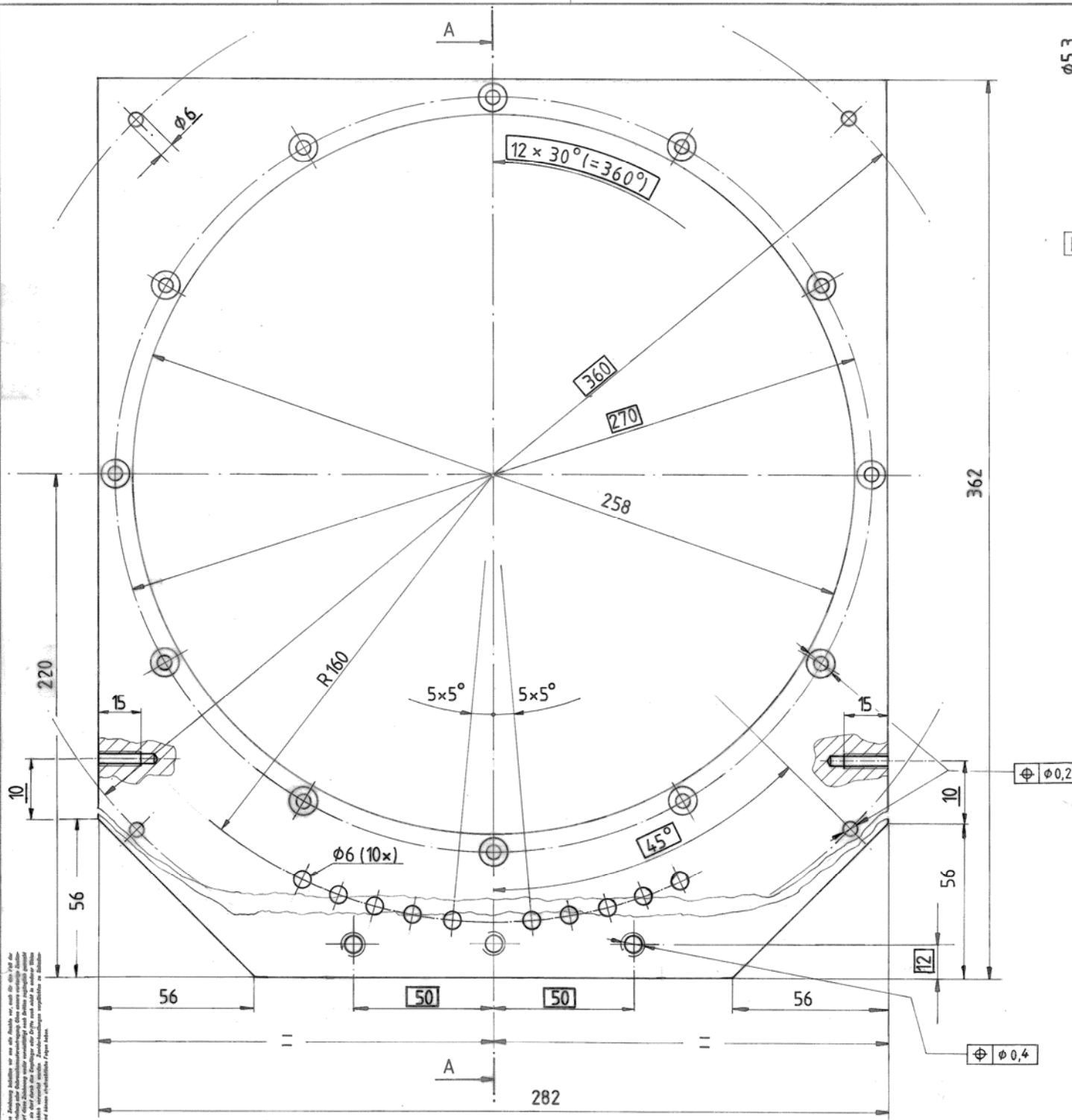
Für diese Zeichnung behalten wir uns alle Rechte vor, auch für den Fall der
 Patentverletzung oder Gebrauchsmusterverletzung. Ohne unsere vorherige Zustim-
 mung darf diese Zeichnung weder vervielfältigt noch Dritten zugänglich gemacht
 werden; sie darf durch den Empfänger oder Dritte auch nicht in anderer Weise
 mißbräuchlich verwendet werden. Zuwiderhandlungen verpflichten zu Schaden-
 ersatz und können strafrechtliche Folgen haben.

entgratet		Freimaß- toleranzen		Gewicht kg/Stück	Werkstoff:	Maßstab
Oberfl. nach DIN 3141, Reihe		DIN		24	ALMg 3 F 25	2:1
2	▽	7168 m	1985	Tag	Distanzrohr	Blatt-Nr.
▽	▽		16.09.	Name		Blattanzahl
Ausgabe		GSI		SIS - DS 070.000.040		
Änderung	Tag	DARMSTADT		Ersatz für: Ersetzt durch:		



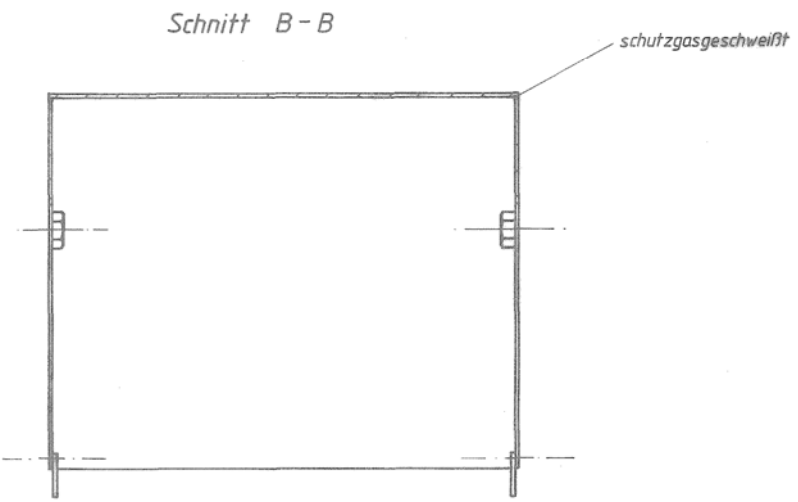
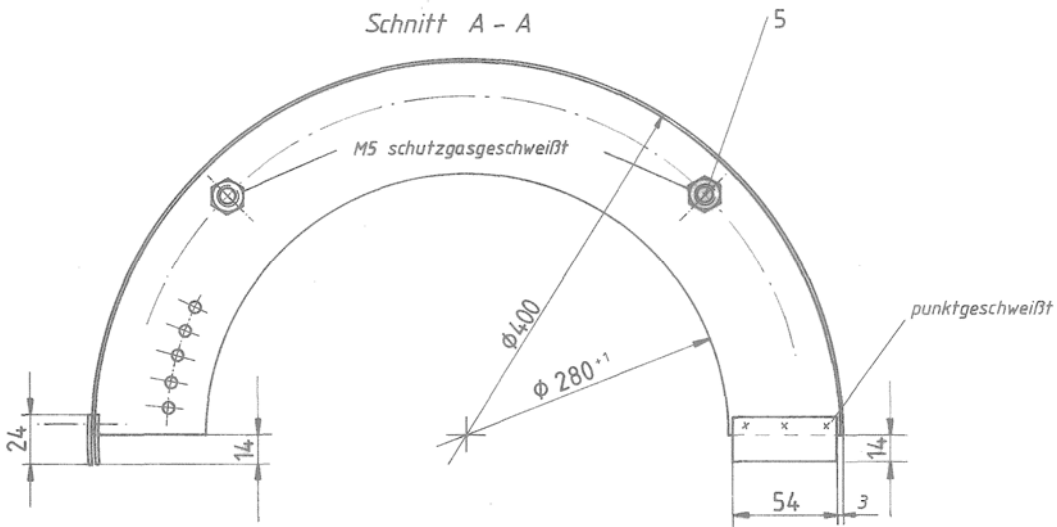
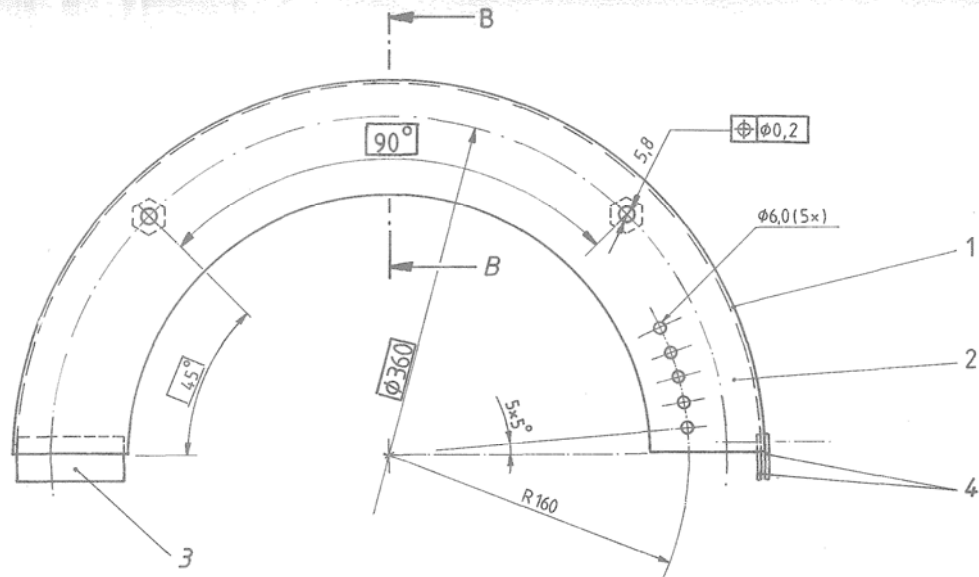
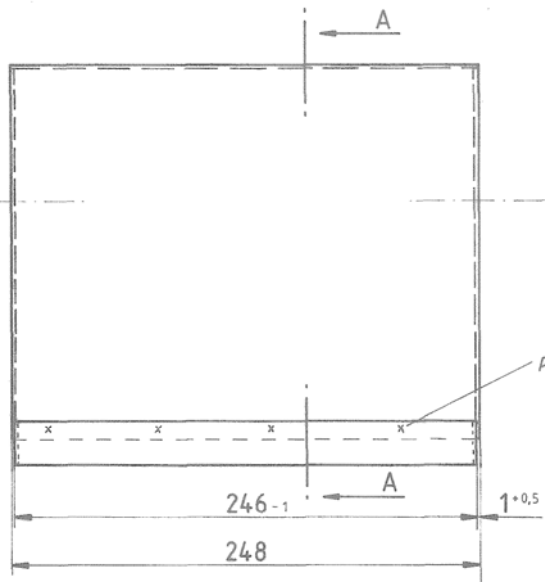
Für diese Zeichnung behalten wir uns alle Rechte vor, auch für den Fall der Patenterteilung oder Gebrauchsmustererteilung. Ohne unsere vorherige Zustimmung darf diese Zeichnung weder vervielfältigt noch Dritten zugänglich gemacht werden, sie darf durch den Empfänger oder Dritte auch nicht in anderer Weise mißbräuchlich verwendet werden. Zuwiderkündigen verpflichten zu Schadenersatz und können strafrechtliche Folgen haben.

entartet		Freimaßtoleranzen		Gewicht		Werkstoff:		Maßstab	
Oberfl. nach DIN 3141, Reihe		DIN 7168 m		kg / Stck.		1.4301		2:1	
~	▽	▽	1985	Tag	Name	Gewindebolzen		Blatt - Nr.	
vak	vak	1985	07. 10.	H. J. 1985				Blattanzahl	
a Maßstab war 77		12/88		W. J. 1988		SIS - DS 070.000.100			
Ausgabe		Änderung		Tag		Name		Ersatz für:	
						GSI DARMSTADT		Ersetzt durch:	



Alle Maße sind in mm anzugeben. Die Angabe von Winkelmaßen ist in Grad zu erfolgen. Die Angabe von Toleranzen ist in DIN 1875 zu erfolgen. Die Angabe von Oberflächenrauhigkeiten ist in DIN 4762 zu erfolgen. Die Angabe von Materialangaben ist in DIN 51702 zu erfolgen. Die Angabe von Normen ist in DIN 9134 zu erfolgen. Die Angabe von Zeichnungsnummern ist in DIN 476 zu erfolgen. Die Angabe von Maßstab ist in DIN 476 zu erfolgen. Die Angabe von Blatt-Nr. ist in DIN 476 zu erfolgen. Die Angabe von Stoffanzahl ist in DIN 476 zu erfolgen.

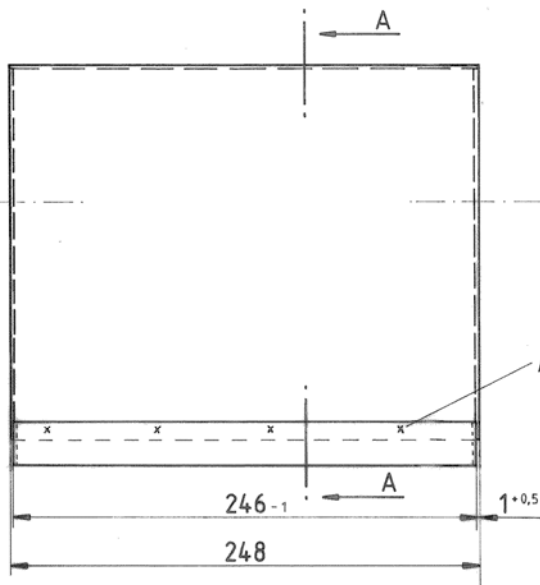
entgratet	Freimaß- toleranzen DIN 7168 m	Schwer- last-Stück 1	Werkstoff: Al Mg 3 F26	Maßstab 1:1
Oberfl. nach DIN 3141, Reihe 1	1985 Tag	Name	Tragplatte B	Blatt-Nr.
	Bearb. 17.09.	U. Kapp.		Stoffanzahl
	Gepr. GSI-ALTBESAND	Norm		
6	HL/FA/Prüfung	17.09.85		
a	Prüfung	2.4.89		
Ausgabe	Änderung	Tag	Name	
			DARMSTADT	
			Ersatz für:	
			Ersetzt durch:	
			S/S-DS 070.000.160	



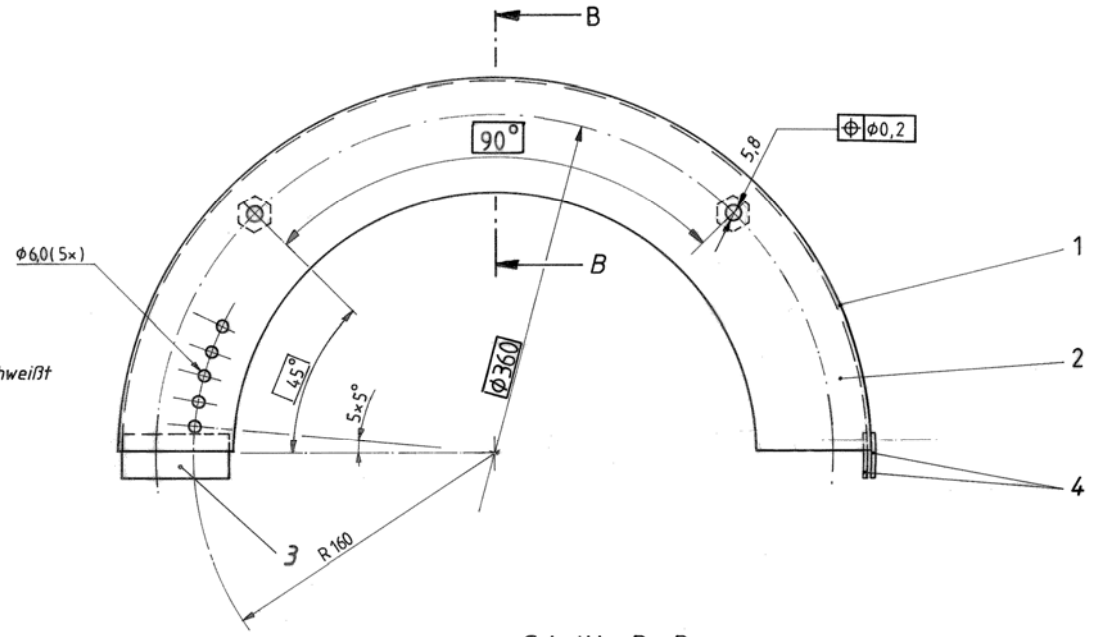
Pos.	Stück	Benennung	Abmessung	Hersteller	Werkstoff	Bemerkung
1	1	Halbzylinder	Dicke t=1	Fa.VAC.Hanau	Ni77Fe21Cu	Mumetall geglüht
2	2	Deckelhälfte	"	"	"	"
3	2	Anschweißstreifen	"	"	"	"
4	2	Anschweißlasche	"	"	"	"
5	4	Anschweißmutter	M5			

entgratet	Freimaß- toleranzen	Gezeichnet angl. Stück	Werkstoff	Maßstab
Oberfl. nach DIN 3141, Reihe	DIN 7168 m	1	Mumetall, geglüht	1:2
1985	Tag	Name	Gehäusehälfte für A	Blatt-Nr 1
Bearb.	21.10.	H. Käfer	mag. äußere Abschirmung	Blattanzahl
Gepr.				
Norm				
6	16.12.1985	19.10.1985	GSI	SIS-DS 070.020
aus-	Änderung	Tag	Name	Ersatz für Ersetzt durch
			DARMSTADT	

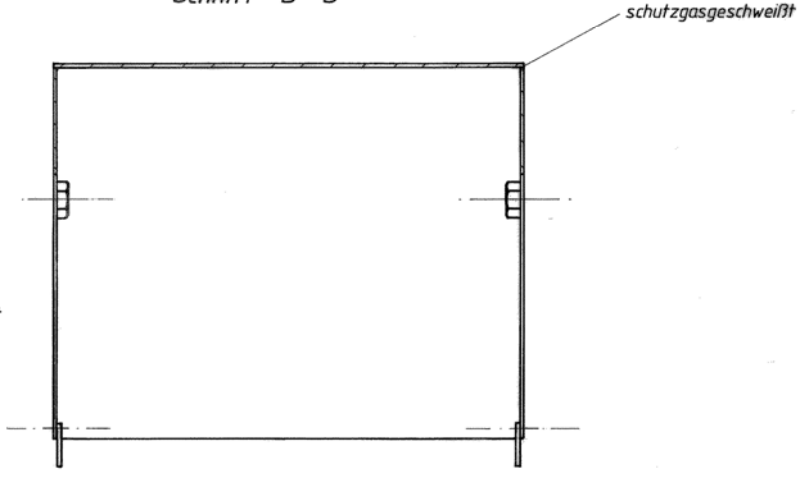
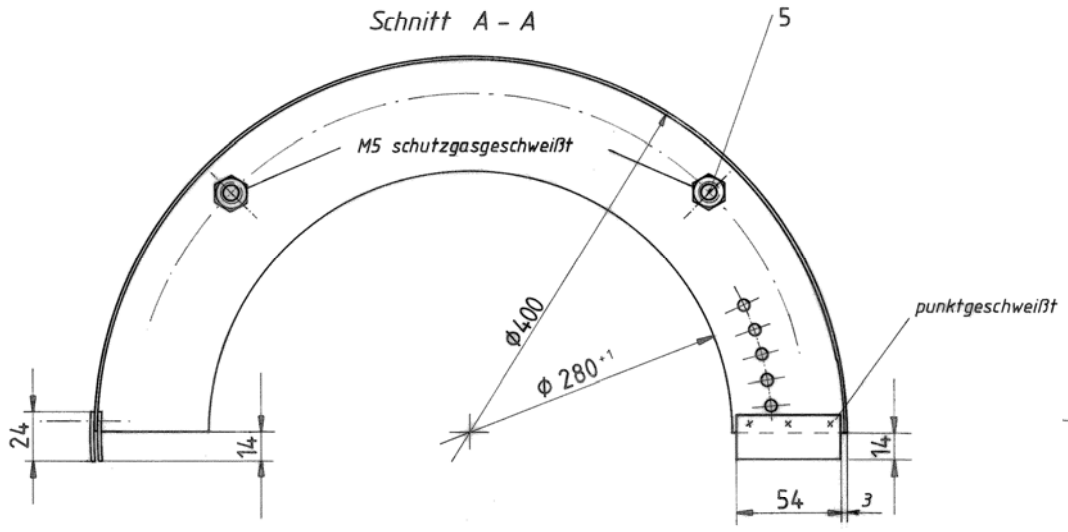
Für alle Änderungen ist die Fertigung zu informieren. Die Fertigung ist für die Ausführung der Änderungen verantwortlich. Die Fertigung ist für die Ausführung der Änderungen verantwortlich. Die Fertigung ist für die Ausführung der Änderungen verantwortlich.



Schnitt A - A



Schnitt B - B



Pos.	Stck.	Benennung	Abmessung	Hersteller	Werkstoff	Bemerkung
1	1	Halbzylinder	Dicke t=1	Fa.VAC.Hanau	Ni77Fe21Cu	Mumetall geglüht
2	2	Deckelhälfte	"	"	"	"
3	2	Anschweißstreifen	"	"	"	"
4	2	Anschweißflasche	"	"	"	"
5	4	Anschweißmutter	M5			

entgratet	Freimaßtoleranzen	Gewicht	Werkstoff	Maßstab
Obert. nach DIN 314, Reihe	DIN 7168	1	Mumetall, geglüht	1:2
1985	Tag	Name	Gehäusehälfte für B	Blatt-Nr
Bearb. 21.10.	H. Käy		magn. äußere Abschirmung	1
Gepr. GSI-ATBESTAND				Blattanzahl
Norm.				
Schnitt B-B, 20.04.87, 7.24		GSI		S/S-DS 070.080
Ausgabe		DARMSTADT		Ersatz für
Änderung		Tag		Ersetzt durch

For every technical drawing, the user is responsible for the correct interpretation of the drawing. The user is responsible for the correct interpretation of the drawing. The user is responsible for the correct interpretation of the drawing.