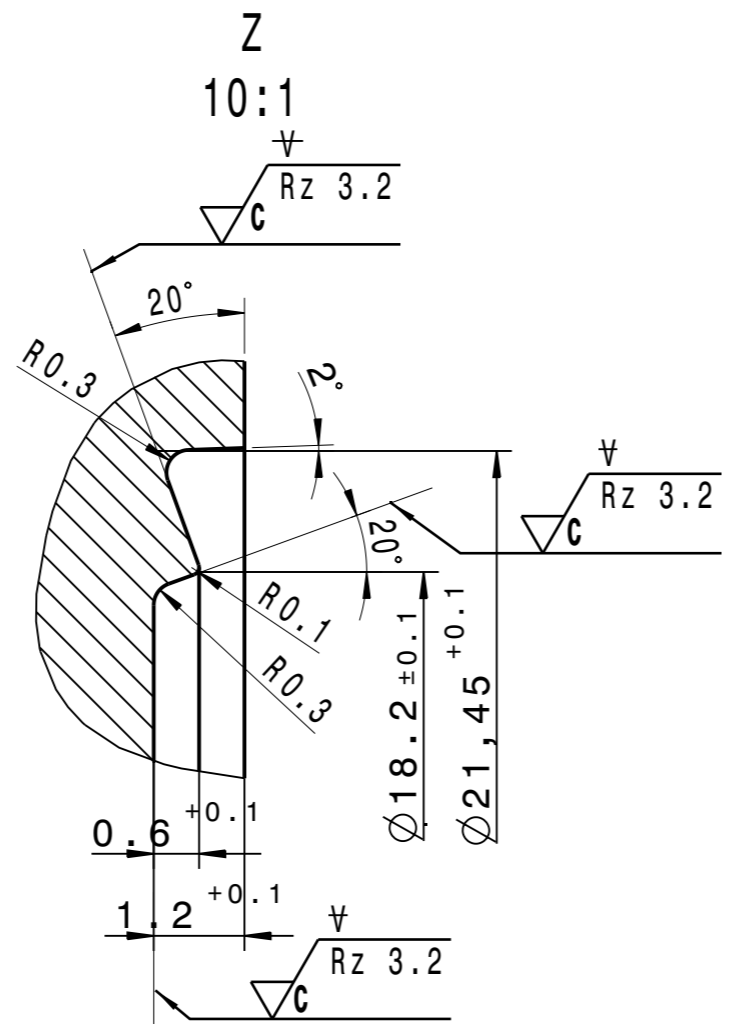
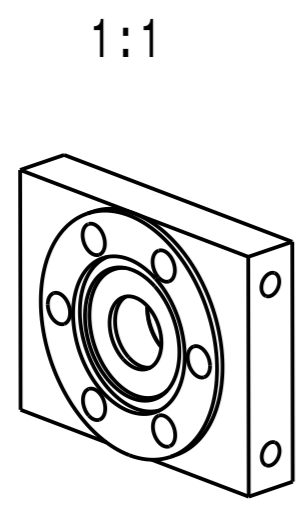
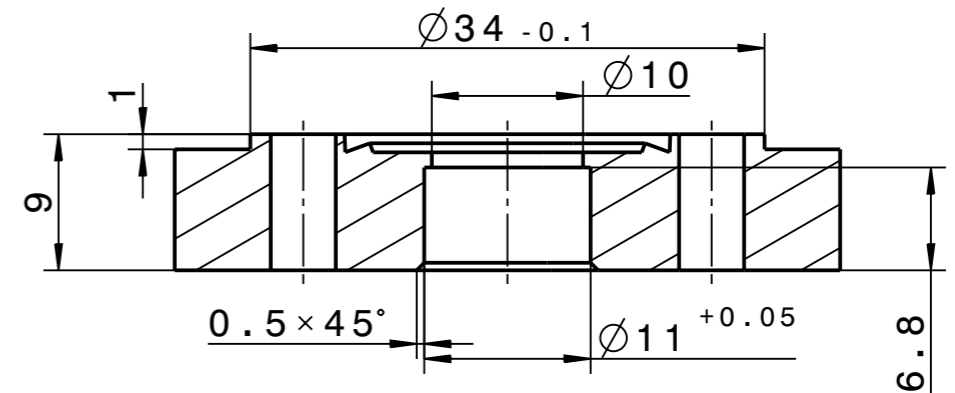
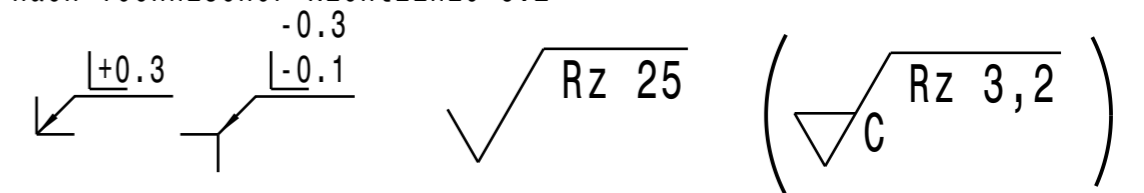


A-A



Reinigung nach Technischer Richtlinie 6.2

Kanten  
ISO 13715



Copying of this document and giving it to others and the use of communication of the contents thereof are forbidden without express authority. Offenders are liable to the payment of damages. All rights are reserved in the event of the grant of a patent or the registration of a utility model or design.		Projection	Rev. No.	Rev.-Doc.-No.	Date	Name
			-			
<b>GSIT</b> Helmholtzzentrum für Schwerionenforschung GmbH Planckstrasse 1, 64291 Darmstadt		Surfaces	For information			
		DIN ISO 1302	Weight	2:1		
Dimensions without tolerance indication DIN ISO 2768-mK EN ISO 13920-BF		Material	1.4306 geschmiedet			
		Scale	(10:1)			
Date	Name	Description	Size			
Drawn	07.03.2013	Dorn, C.	Platte		A3	
Checked						
Approved		Drawing No.	Rev.	Sheet 1 of 1		
		STD-000-L01.652.001	-			
IP		Prev. Dwg. DL 510.010.010	Repl. for			