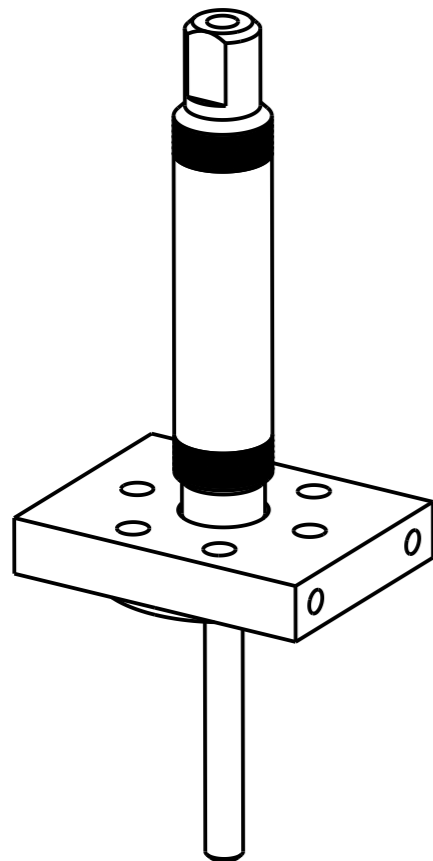


65 Membranpaare (Werkstoff: AM350)

1:1



Vakuumdicht geschweisst.
 Integrale Leckrate $<1 \cdot 10^{-9}$ mbar*1/s
 Reinigung nach Technischer Richtlinie 6.2

Copying of this document and giving it to others and the use of communication of the contents thereof are forbidden without express authority. Offenders are liable to the payment of damages. All rights are reserved in the event of the grant of a patent or the registration of a utility model or design.		Projection	Rev. No.	Rev.-Doc.-No.	Date	Name
			-			
GSIT Helmholtzzentrum für Schwerionenforschung GmbH Planckstrasse 1, 64291 Darmstadt		Surfaces	For information			
		DIN ISO 1302	Weight	Scale		
Drawn 07.03.2013 Dorn, C. Checked Approved		Dimensions without tolerance indication	Material		2:1 (1:1)	
		DIN ISO 2768-mK EN ISO 13920-BF	Description			
Drawing No. STD-000-L01.652.000		Membranbalg Hub 25				Size
		Drawing No. STD-000-L01.652.000				Rev.
IP		Prev. Dwg. DL 510.010.000			Repl. for	