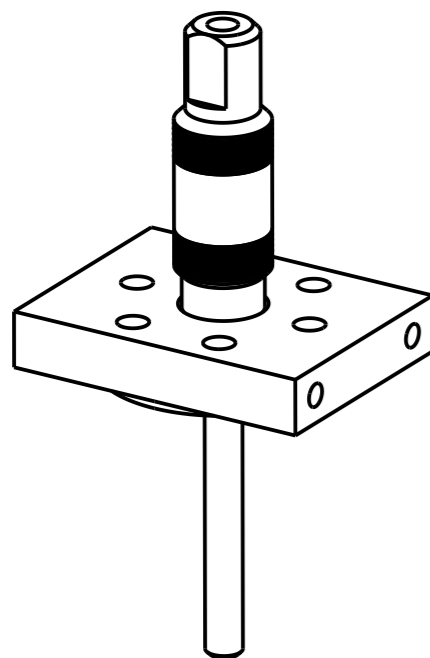
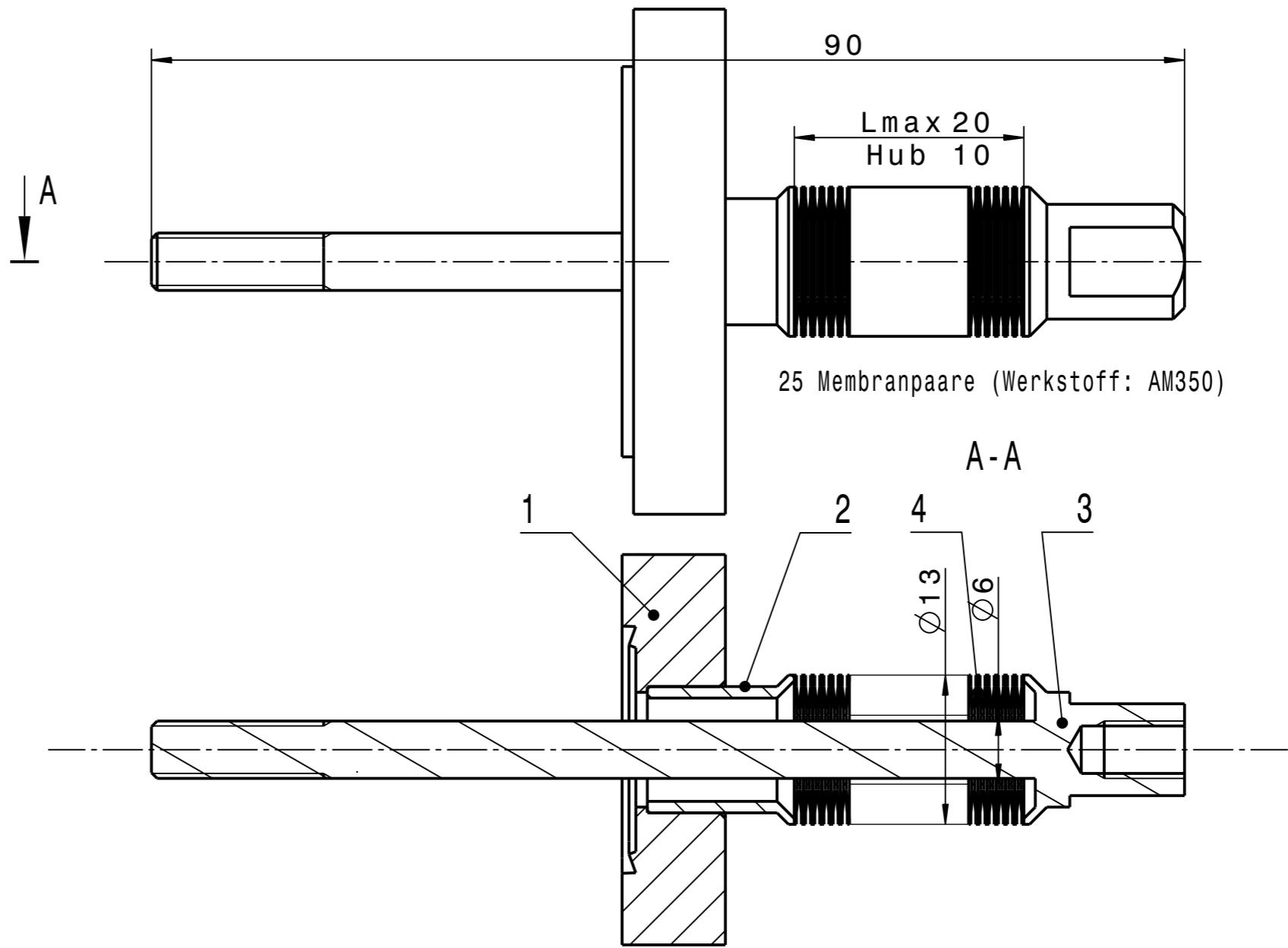


1:1



Vakuumdicht geschweisst.  
 Integrale Leckrate  $<1 \cdot 10^{-9}$  mbar\*1/s  
 Reinigung nach Technischer Richtlinie 6.2



25 Membranpaare (Werkstoff: AM350)

Copying of this document and giving it to others and the use of communication of the contents thereof are forbidden without express authority. Offenders are liable to the payment of damages. All rights are reserved in the event of the grant of a patent or the registration of a utility model or design.		Projection 	Rev. No.	Rev.-Doc.-No.	Date	Name
		Surfaces DIN ISO 1302	For information			
<b>GSIT</b> Helmholtzzentrum für Schwerionenforschung GmbH Planckstrasse 1, 64291 Darmstadt		Dimensions without tolerance indication DIN ISO 2768-mK EN ISO 13920-BF	Weight	Scale		
		Material	2:1 (1:1)			
Date 15.03.2013	Name Dorn, C.	Description Membranbalg Hub 10				Size A3
Checked		Drawing No. STD-000-L01.602.000				Rev. -
Approved		Prev. Dwg. DL 520.010.000				Sheet 1 of 1
IP		Repl. for				