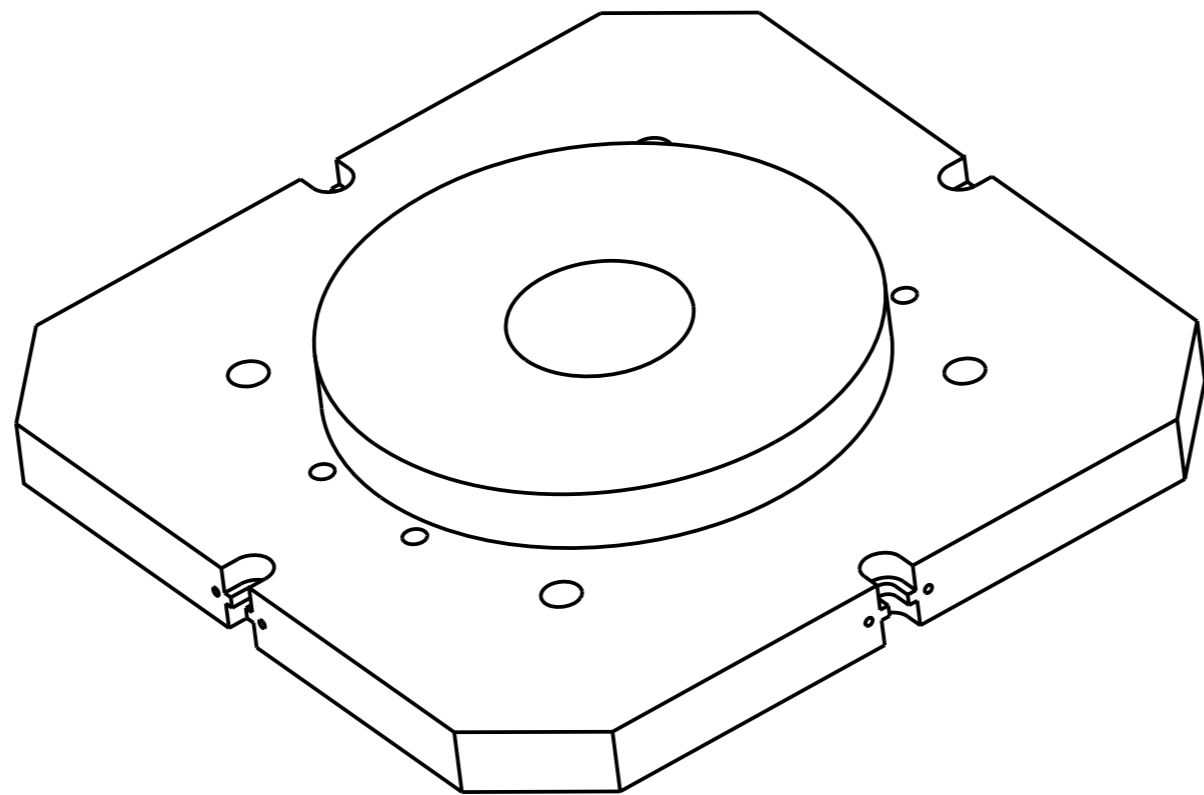
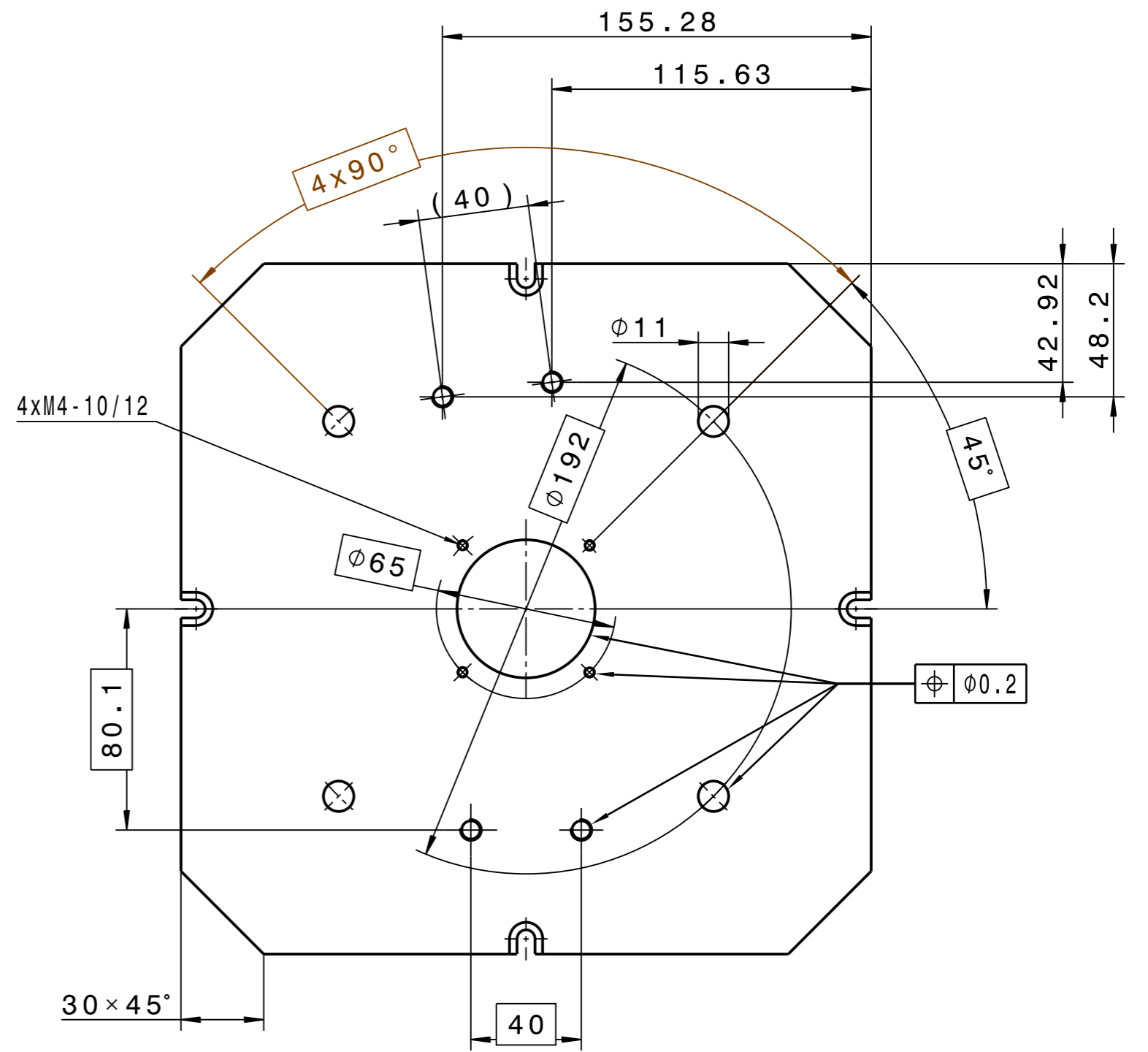


Gewinde mit ENSAT oder bevorzugt mit TITEX-PLUS  
Gewindeformer erstellt



Kanten ISO 13715  $\begin{matrix} +0.3 \\ -0.1 \end{matrix}$  Rz 25

Copying of this document and giving it to others and the use of communication of the contents thereof are forbidden without express authority. Offenders are liable to the payment of damages. All rights are reserved in the event of the grant of a patent or the registration of a utility model or design.		Projection DIN ISO 1302	Rev. No.	Rev.-Doc.-No.	Date	Name
<b>GSI</b> Helmholtzzentrum für Schwerionenforschung GmbH Planckstrasse 1, 64291 Darmstadt		Surfaces	For information			
		Dimensions without tolerance indication DIN ISO 2768-mK EN ISO 13920-BF	Weight Material EN AW-2017A (AlCuMg1) o.ä.	Scale 1:2		
Drawn	Date 25.02.2014	Name Hartung, M.	Description Adapterplatte			Size A2
Checked			Drawing No. STD-000-L01.455.006	Rev. -	Sheet 1 of 1	
Approved			Prev. Dwg. DK 480.000.060 A-	Repl. for		