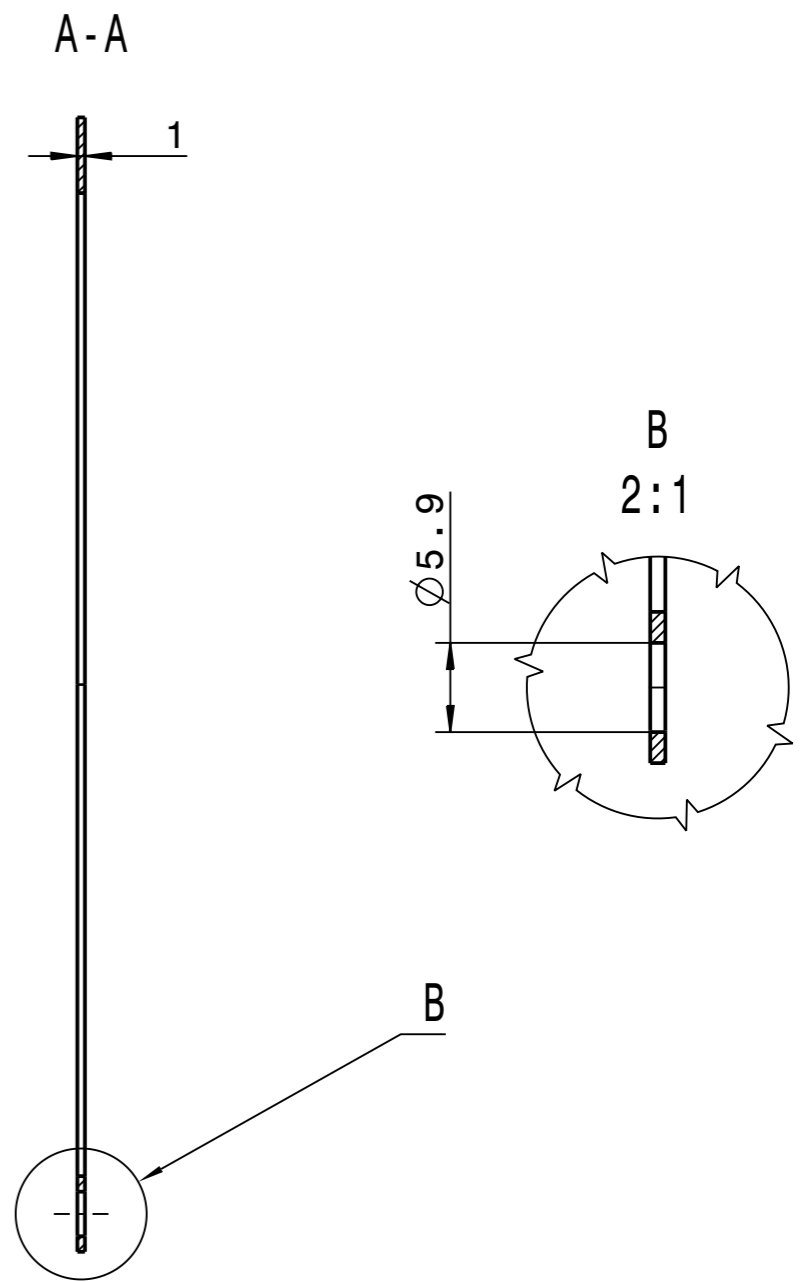


$\phi 0,2$

Kanten ISO 13715 $+0.3$ -0.3 -0.1

$\sqrt{Rz 25}$



Reinigung nach technischer Richtlinie 6.2

Copying of this document and giving it to others and the use of communication of the contents thereof are forbidden without express authority. Offenders are liable to the payment of damages. All rights are reserved in the event of the grant of a patent or the registration of a utility model or design.		Projection 	Rev. No.	Rev.-Doc.-No.	Date	Name
		Surfaces DIN ISO 1302	For information			
GSIT Helmholtzzentrum für Schwerionenforschung GmbH Planckstrasse 1, 64291 Darmstadt		Dimensions without tolerance indication DIN ISO 2768-mK EN ISO 13920-BF	Weight Material 1.4301 (X5CrNi18-10)	Scale 1:1		
		Description Rahmen		Size A3		
Drawn Checked Approved	Date 21.03.2013	Name Dorn, C.	Drawing No. STD-000-L01.453.001		Rev. -	Sheet 1 of 1
IP		Prev. Dwg. U-DA 050.020.010		Repl. for		