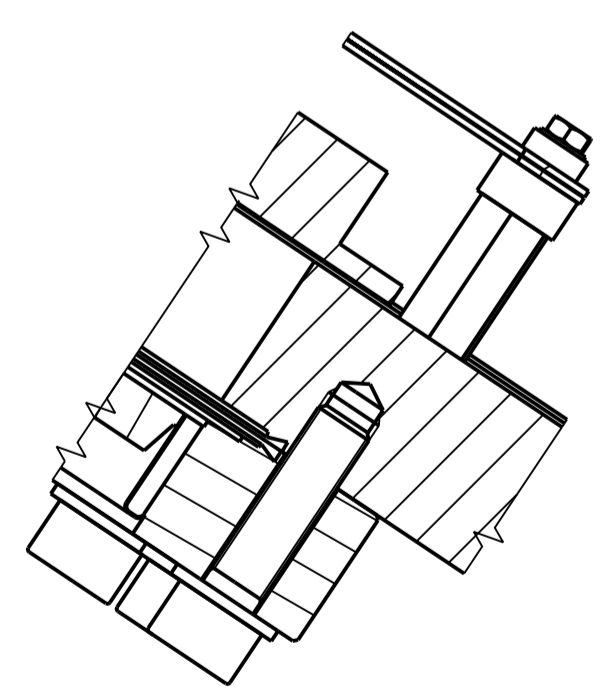
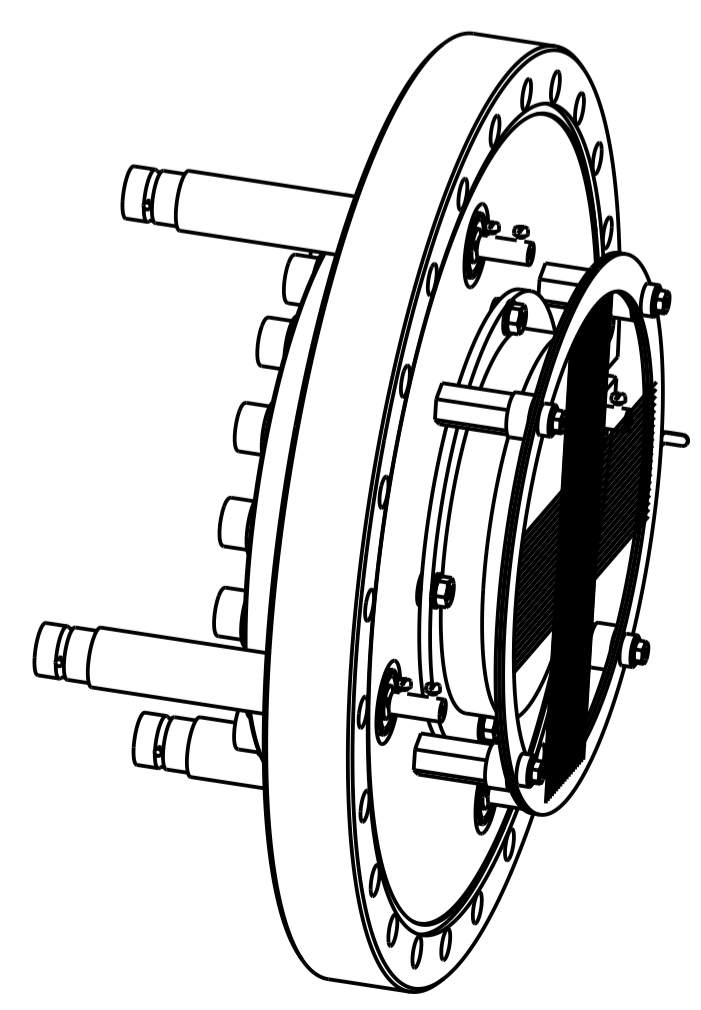


D-D



1:2



Copying of this document and giving it to others and the use of communication of the contents thereof are forbidden without express authority. Offenders are liable to the payment of damages. All rights are reserved in the event of the grant of a patent or the registration of a utility model or design.		Projection 	Rev. No. -	Rev.-Doc.-No. -	Date -	Name -
<b>gsi</b> Helmholtzzentrum für Schwerionenforschung GmbH Planckstrasse 1, 64291 Darmstadt		Surfaces DIN ISO 1302	For information			Scale 1:1 (1:2)
Dimensions without tolerance indication DIN ISO 2768-mK EN ISO 13920-BF		Weight Material	Description Baugruppe MCP			
Drawn 03.05.2013 Dorn, C.	Date 03.05.2013 Name Dorn, C.	Drawing No. STD-000-L01.451.000		Rev. -	Sheet 1 of 1	
Approved		Prev. Dwg. U-DA 050A		Repl. for		