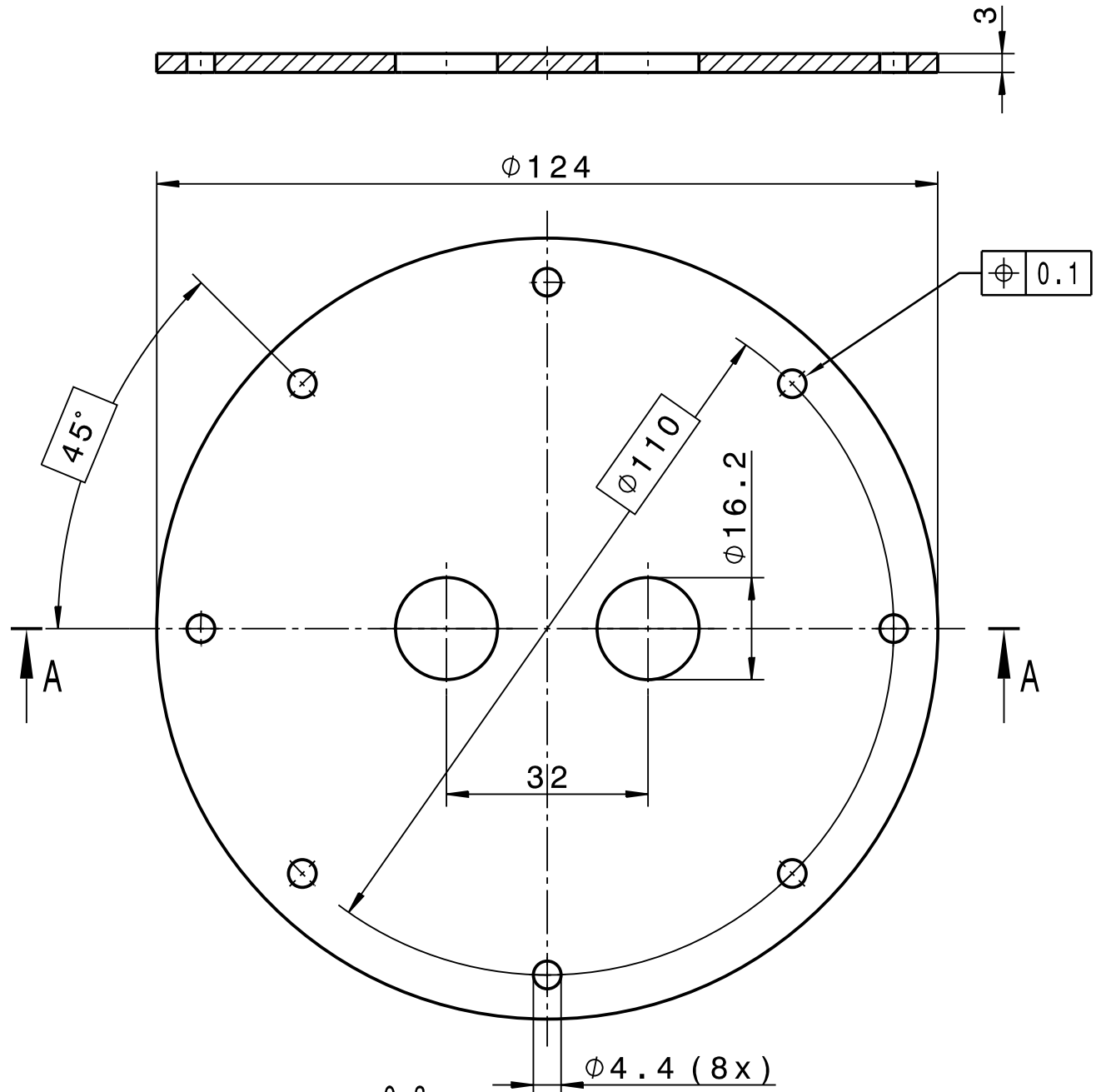


A-A



Kanten
ISO 13715

+0.3
-0.1

Rz25

Copying of this document and giving it to others and the use of communication of the contents thereof are forbidden without express authority. Offenders are liable to the payment of damages. All rights are reserved in the event of the grant of a patent or the registration of a utility model or design.		Projection 		Rev. No.	Rev.-Doc.-No.	Date	Name
		Surfaces DIN ISO 1302		For information			
 Helmholtzzentrum für Schwerionenforschung GmbH Planckstrasse 1, 64291 Darmstadt		Dimensions without tolerance indication DIN ISO 2768-mK EN ISO 13920-BF		Weight Material EN AW-5754 (AlMg3)		Scale 1:1	
		Description Cover		Drawing No. STD-000-L01.301.005		Size A4	
Drawn Checked Approved	Date 11.03.2014	Name Hartung, M.		Rev. -		Sheet 1 of 1	
IP		Prev. Dwg.		Repl. for			