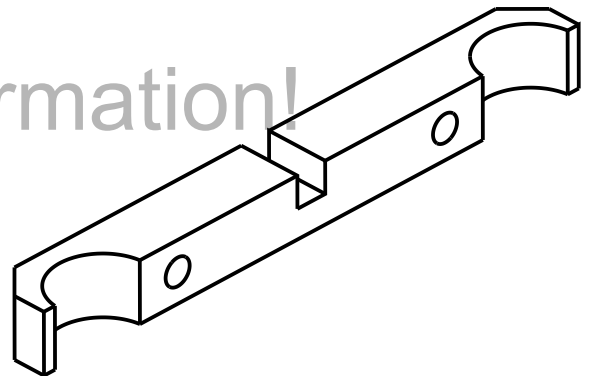
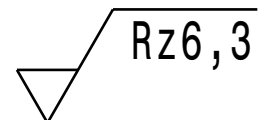
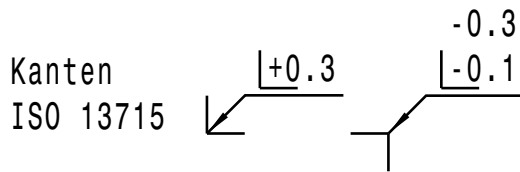



Only for Information!



Reinigung nach technischer
Richtlinie 6.2



Copying of this document and giving it to others and the use of communication of the contents thereof are forbidden without express authority. Offenders are liable to the payment of damages. All rights are reserved in the event of the grant of a patent or the registration of a utility model or design.		Projection		Rev. No.	Rev.-Doc.-No.	Date	Name
		Surfaces		For information			
 Helmholtzzentrum für Schwerionenforschung GmbH Planckstrasse 1, 64291 Darmstadt		Dimensions without tolerance indication		Weight		Scale	
		DIN ISO 1302		DIN ISO 2768-mK EN ISO 13920-BF		1.4301 (X5CrNi18-10)	
Date	Name	Description				Size	
Drawn	11.03.2013	Schelle				A4	
Checked		Drawing No.				Rev.	
Approved		STD-000-L01.101.015				-	
IP		Prev. Dwg. U-DB 600.000.150			Repl. for		
						Sheet 1 of 1	