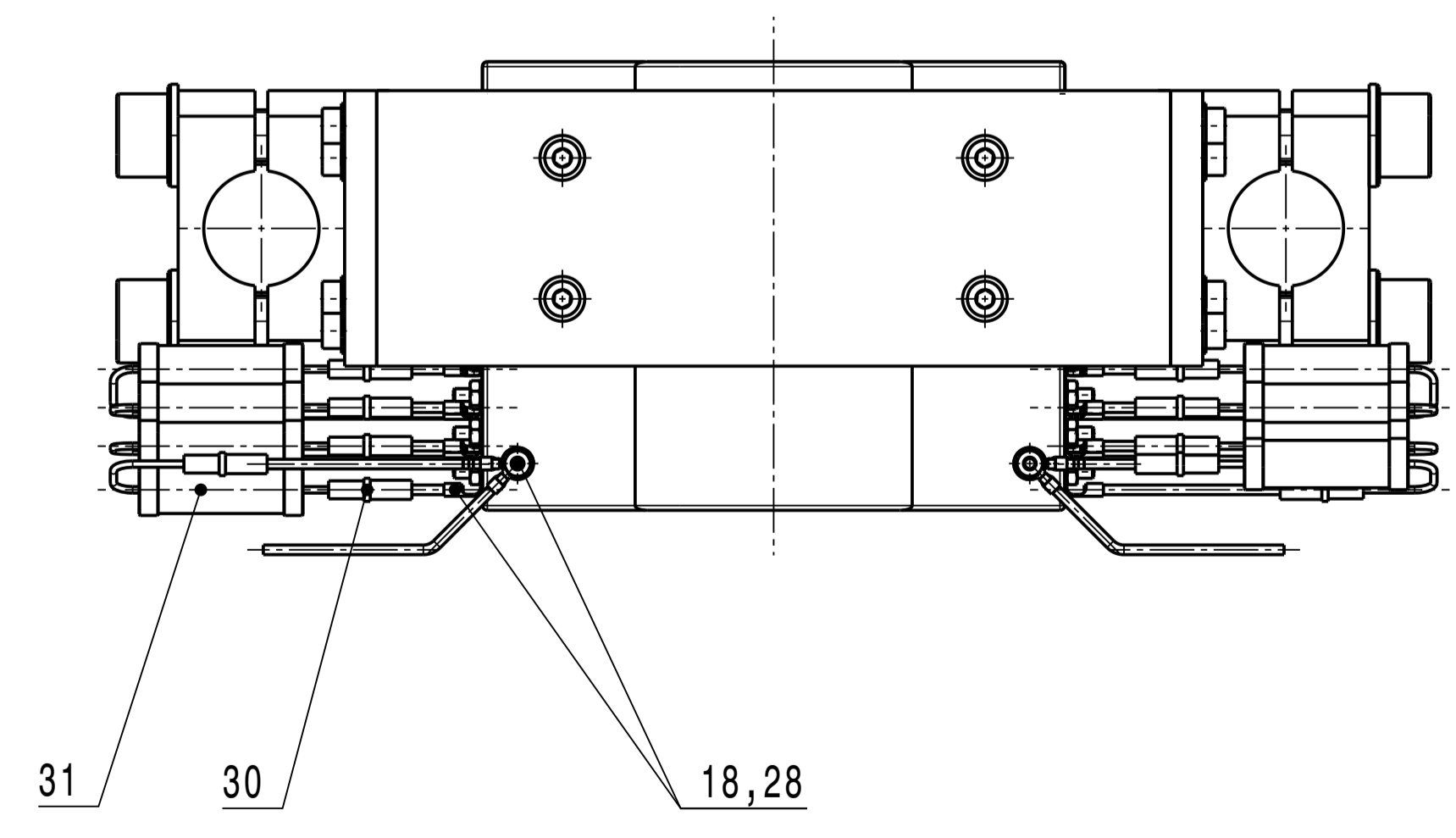


Keine feste Verbindung, Distanzrohr wird bei Montage zum Einhalten der Höhe der Strahlachse eingefügt.



<small>Copying of this document and giving it to others and the use of communication of the contents thereof are forbidden without express authority. Offenders are liable to the payment of damages. All rights are reserved in the event of the grant of a patent or the registration of a utility model or design.</small>		ES <small>Surfaces</small> DIN ISO 1302	Rev. No. - Rev.-Doc.-No. - Date - Name -
gsi <small>Helmholtzzentrum für Schwerionenforschung GmbH Planckstrasse 1, 64291 Darmstadt</small>		<small>Dimensions without tolerance indication</small> DIN ISO 2768-mK EN ISO 13920-BF	For information Weight - Material - Scale 1:1 (2:1) Size A1
<small>Drawn</small> Date 29.07.2013 Name Hartung, M.	<small>Description</small> Kompensationsfeld hinten		<small>Sheet 1 of 1</small>
<small>Checked</small> <small>Approved</small>	<small>Drawing No.</small> STD-000-L01.071.000		<small>Rev.</small> -
<small>IP</small>	<small>Prev. Dwg.</small>	<small>Repl. for</small>	