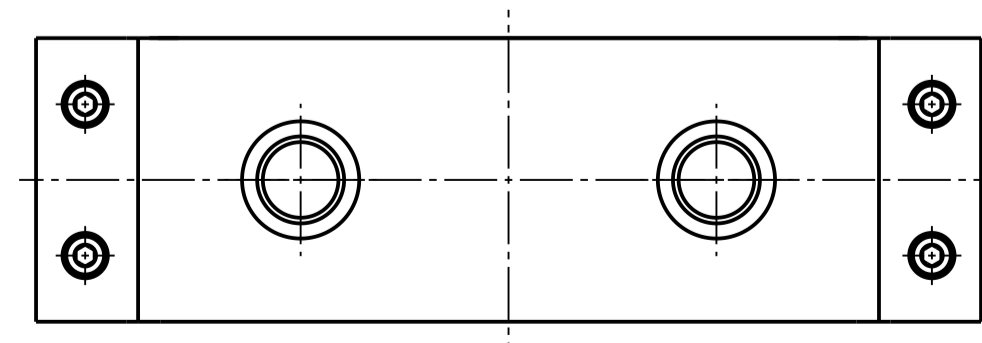


vordere Plexiglasplatte
nicht dargestellt



<small>Copying of this document and giving it to others and the use of communication of the contents thereof are forbidden without express authority. Offenders are liable to the payment of damages. All rights are reserved in the event of the grant of a patent or the registration of a utility model or design.</small>		Projection 	Rev. No. -	Rev.-Doc.-No. -	Date -	Name -
Surfaces DIN ISO 1302		For information				
Dimensions without tolerance indication DIN ISO 2768-mK EN ISO 13920-BF		Weight Material	Scale 1:2 (1:1)			
Date 17.09.2013		Name Härtung, M.		Description Anschluss		
Drawn	Checked	Drawing No. STD-000-L01.005.000		Rev. -	Sheet 1 of 1	
Approved		Prev. Dwg. DK 480.030		Repl. for		