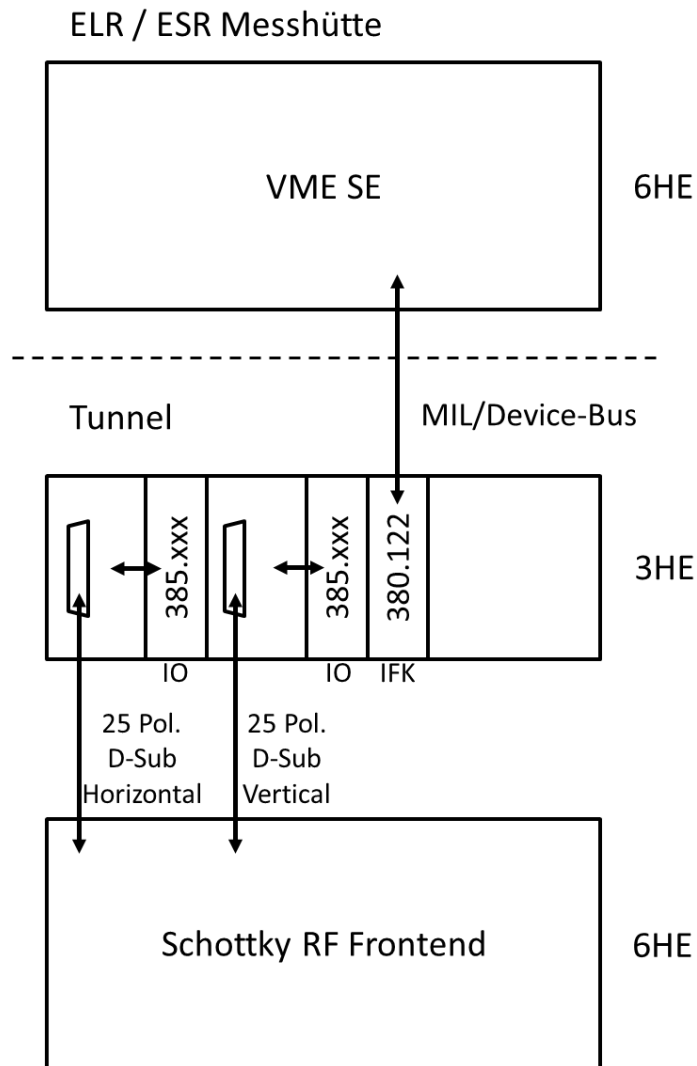


Schottky Diagnosis Control Electronics

Topology before planned ESR electronics upgrade.

1 Topology Schematics



2 Device Names and Addresses

	SIS18	ESR
Component	GS09DX1S	GE01DX_S
GµP	ke1cg03.acc.gsi.de	kcecg01.acc.gsi.de
SE	KE1CS032	KCECS014
Location	ELR (BG 2.009)	ESR Container
IFK Adr. (dec.)	17(?)	1

SIS18 BTF Exciter GS01DH1V/H: No remote control.

3 IO Modules, Register and Pin Mapping

			D-Sub Pin Nr.	Signal	
			4	GND	
			17	Remote Clock	
IO Mod. 3 (X)	IO Mod. 2 (Y)	Bit Nr.		TTL High	TTL Low
Port 0 Sub-addr. 24 (0x18)	Port 0 Sub-addr. 16 (0x10)	D0 (LSB)	12	Test	Pick-up
		D1	24	H-Load	L-Load
		D2	11	Not resonant	Resonant
		D3	23	Sum +0dB	Sum +30dB
		D4			
		D5			
		D6			
		D7 (MSB)			
Port 1 Sub-addr. 25 (0x19)	Port 1 Sub-addr 17 (0x11)	D0	10	-	DAC D0
		D1	22	-	DAC D1
		D2	9	-	DAC D2
		D3	21	-	DAC D3
		D4	8	-	DAC D4
		D5	20	-	DAC D5
		D6			
		D7			
Port 2 Sub-addr. 26 (0x1A)	Port 2 Sub-addr. 18 (0x12)	D0			
		D1			
		D2			
		D3			
		D4	13	Dif +0dB	Dif +30dB
		D5	25	Preamp +0dB	Preamp +45dB
		D6			
		D7			
Port 4 (Status, RO) Sub-addr. 28 (0x1C)	Port 4 (Status, RO) Sub-addr. 20 (0x14)	D0	18	Sum OK	Sum overload
		D1	6	Dif OK	Dif overload
		D2	16	Power OK	Power fail
		D3			
		D4			
		D5	5	Hand	Remote
		D6			
		D7			