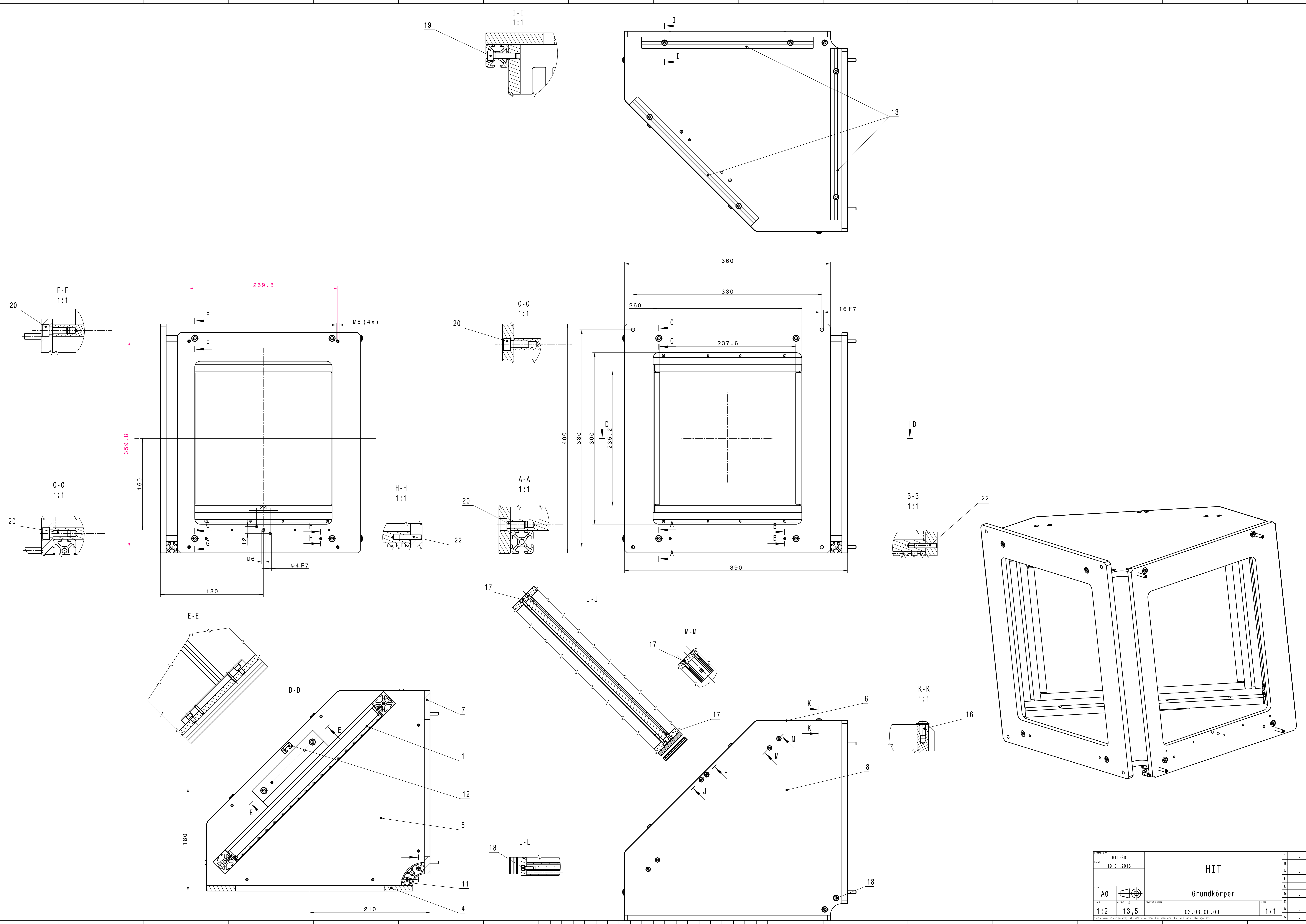


DESIGNED BY: HIT-SD			
DATE: 28.01.2016			
DRAWN BY:		HIT	
TITLE: A0		Isocenter-Diagnose	
SCALE: 1:2		DRAWING NUMBER: 03.00.00.00	
SHEET: 23,5		PAGE: 1/1	

Copying of this Document, and giving it to others and the use of communication of the contents thereof, are forbidden without express authority. Offenders are liable to the payment of damages. All rights are reserved in the event of the grant of a patent or the registration of a utility model or design.					Rev. No.	Rev.-Doc.-No.	Date	Name	
					-				
HIT			Date	Name	Isocenter-Diagnose				
			Drawn	28.01.2016					HIT-SD
			Checked						
			Approved			Drawing No.	03.00.00.00	Rev.	-
							Prev. Dwg.	Repl. for	
Item	Qty.	Description	Drawing No.	Dimensions (finished part)	Standard / Source of supply	Material	Remark		
1	1	Grundkoerper	03.03.00.00						
2	1	Szintillatorhalterung	03.02.00.00						
3	1	Kamerahalterung V3	03.04.00.00						
4	1	Kameraabschirmung	03.05.00.00						
5									
6									
7									
8									
9									
10									
11									
12	4	Passschraube		Ø6-M5-20	ISO 7379	A2			
13	8	Scheibe		Ø 6	ISO 7089	A2			
14	4	Sechskantmutter		M6	ISO 4032	A2			
15									
16									



PROJECT NO:	HIT-SD	
DATE:	19.01.2016	
TITLE		HIT
CODE		Grundkörper
SCALE:	1:2	13,5
DRAWING NUMBER:	03.03.00.00	
		1/1

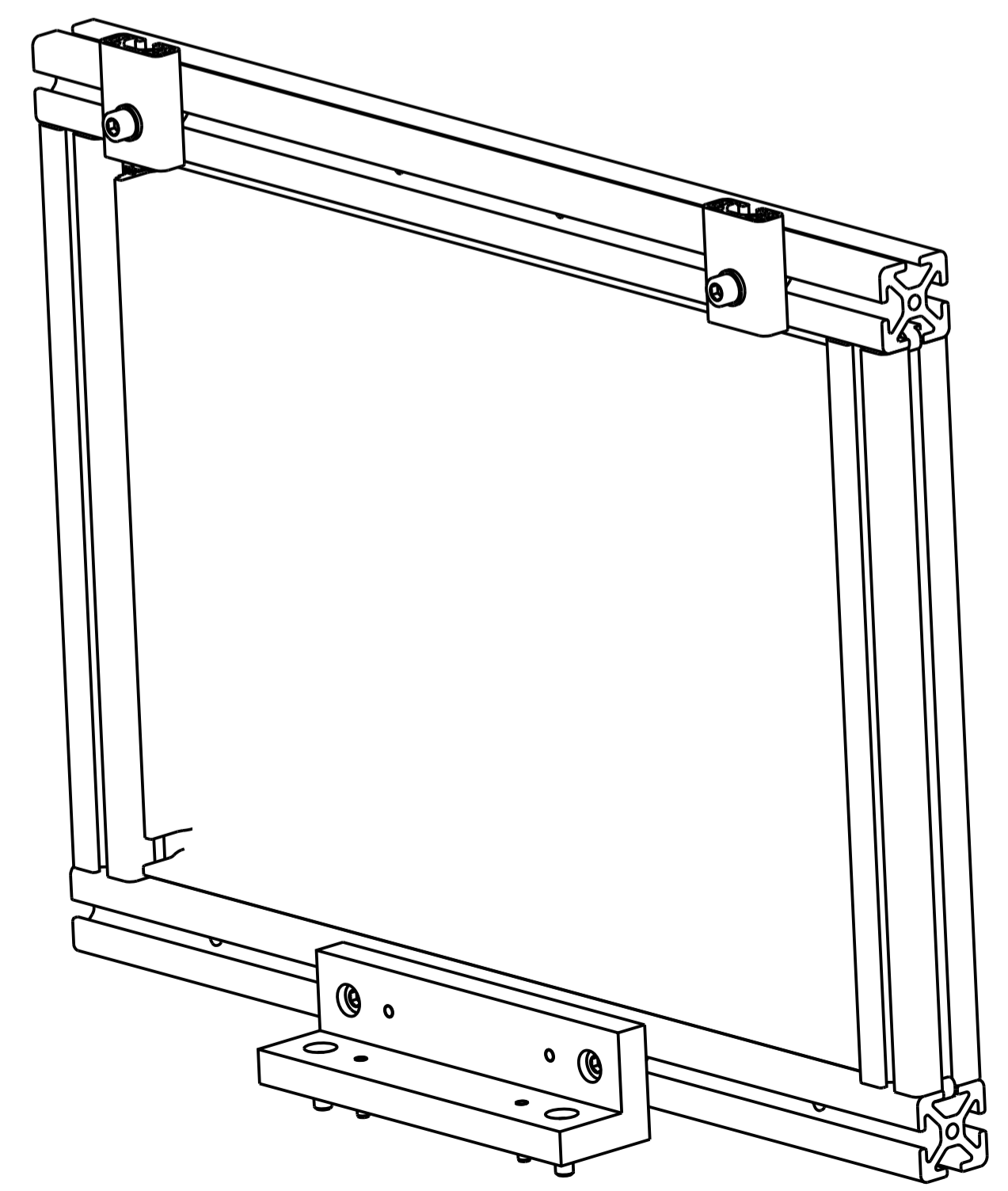
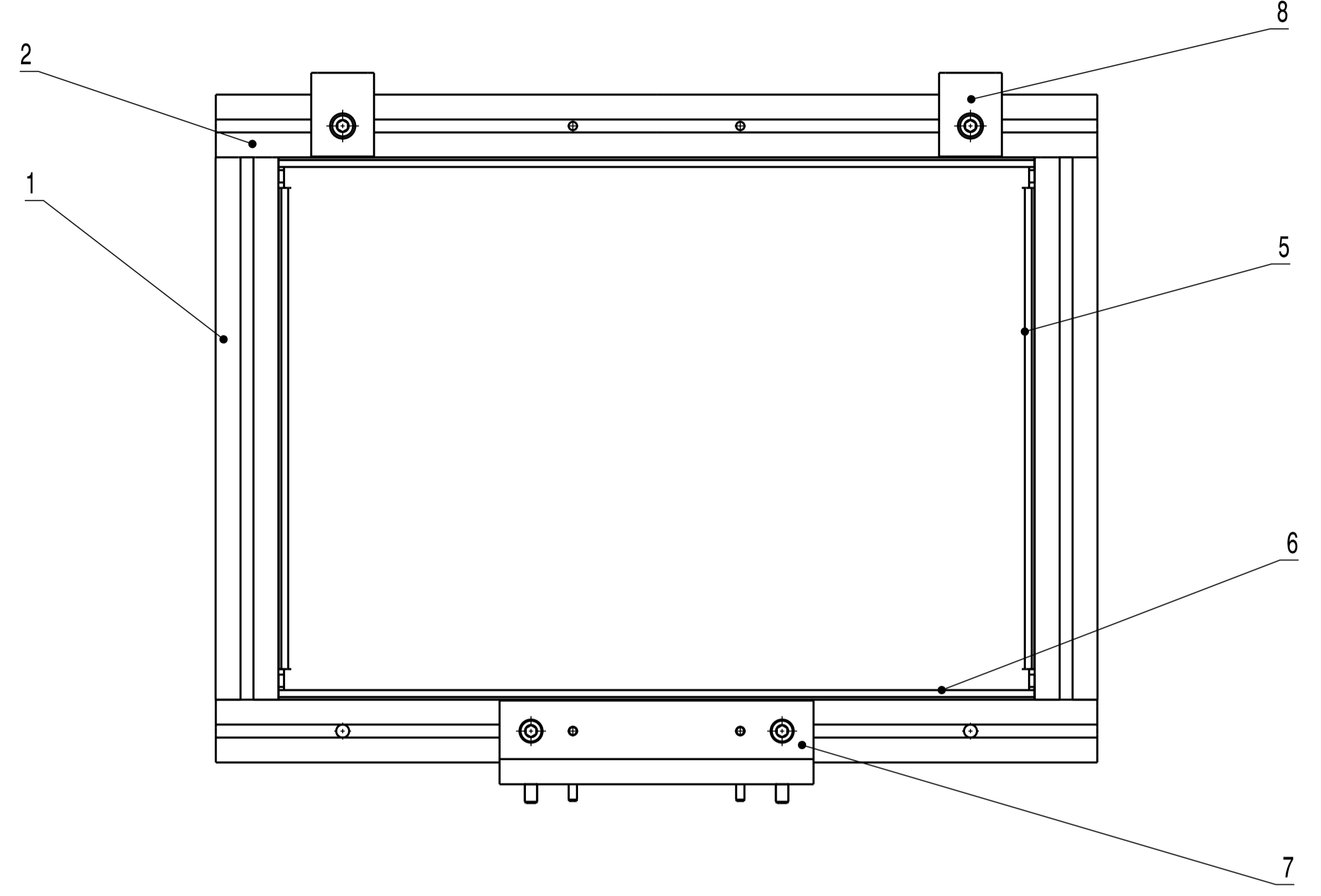
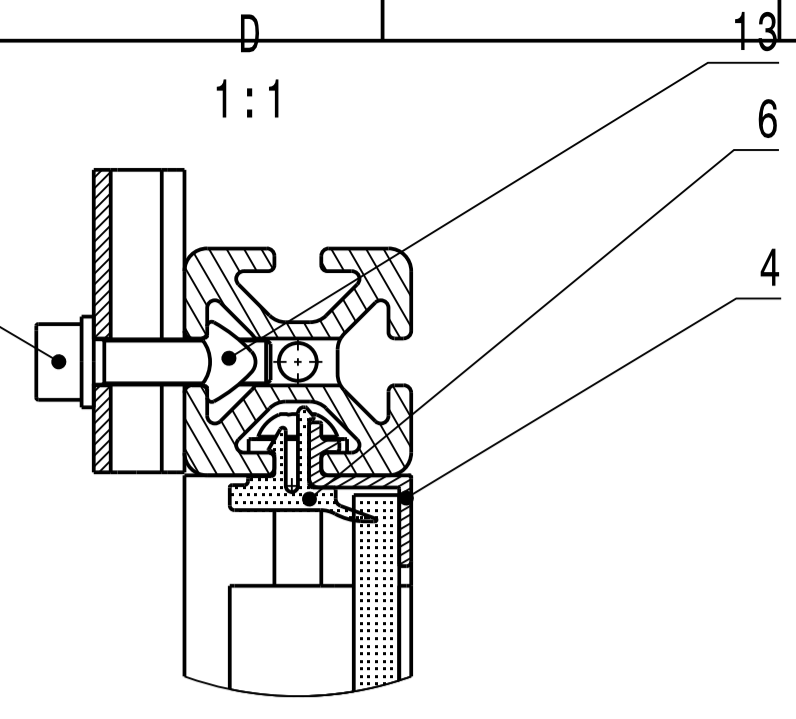
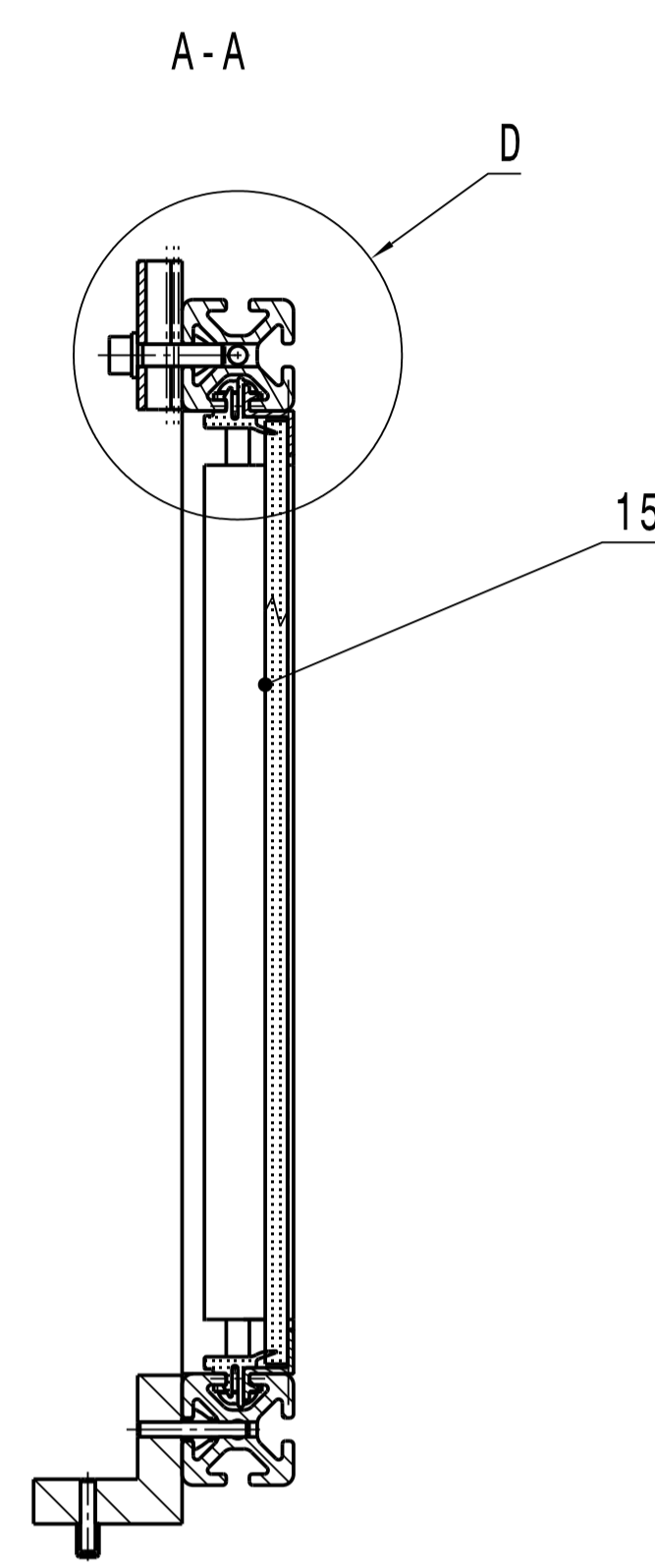
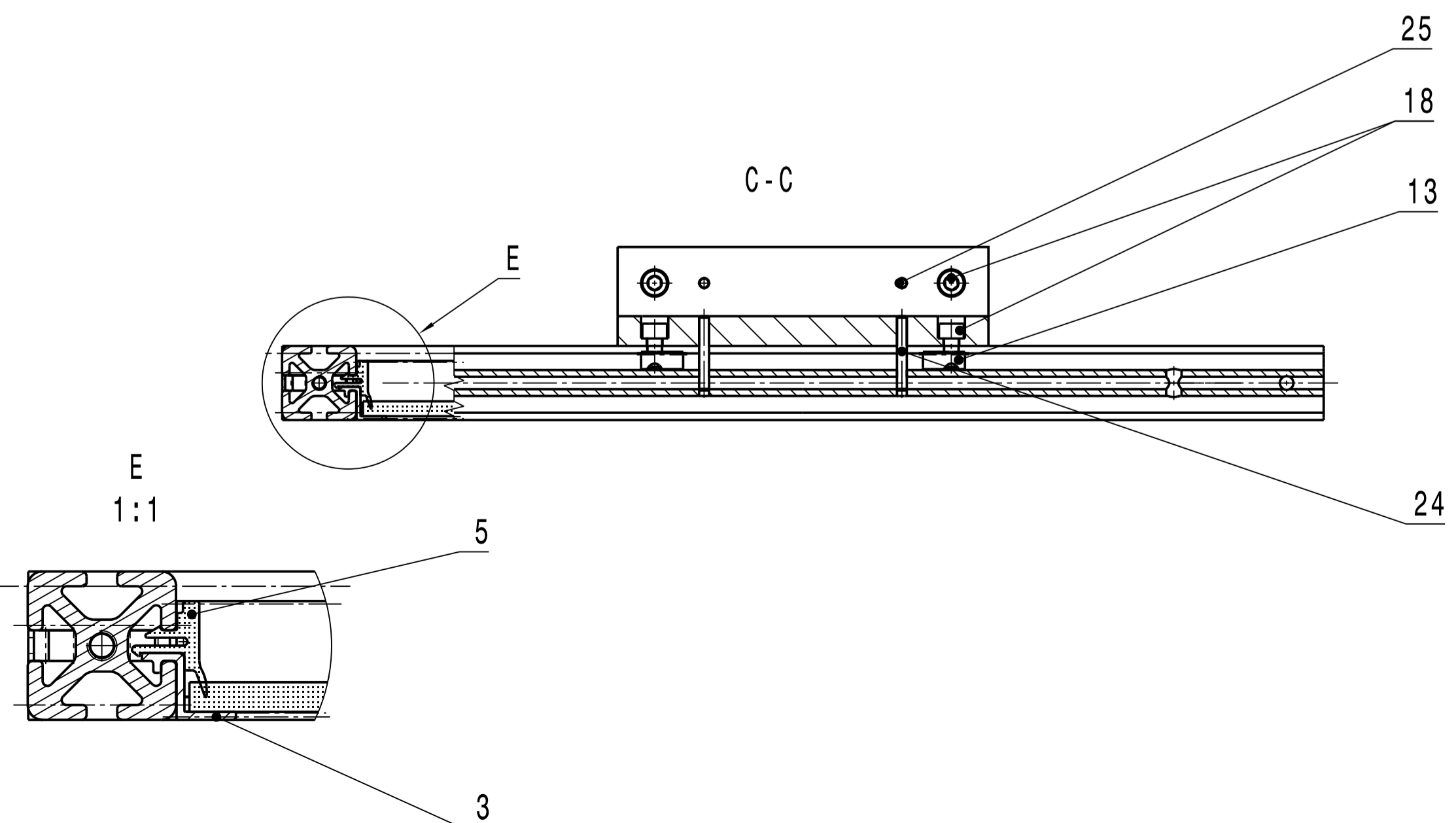
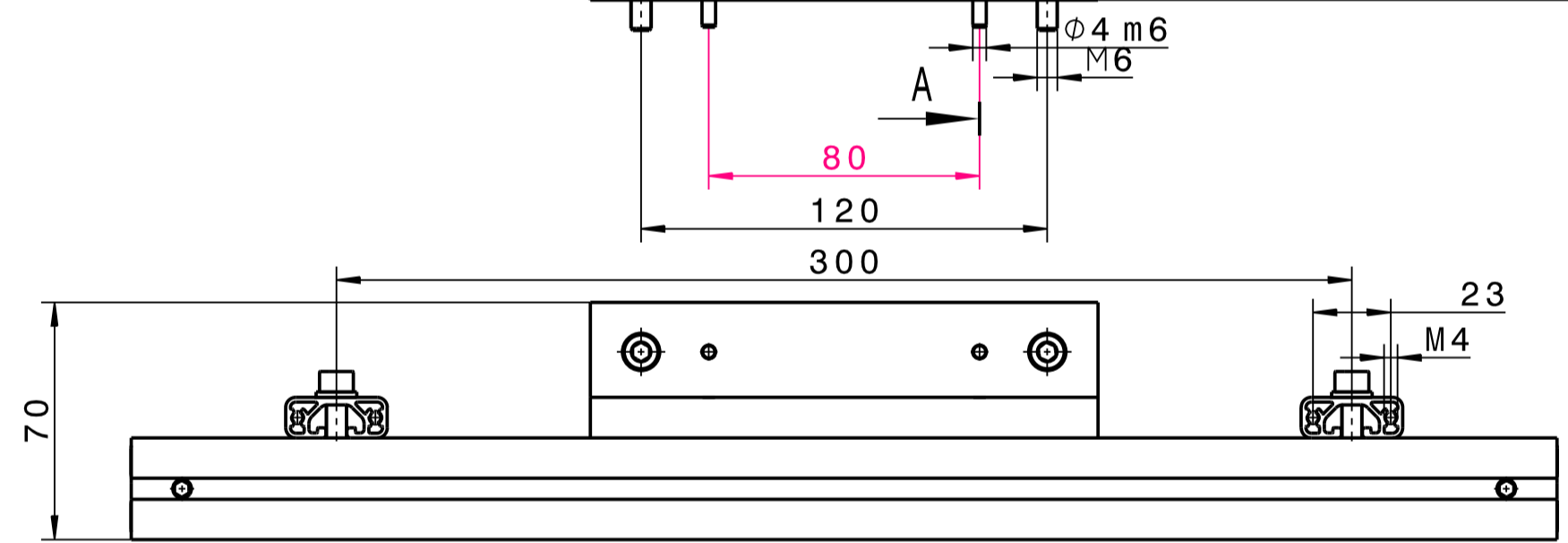
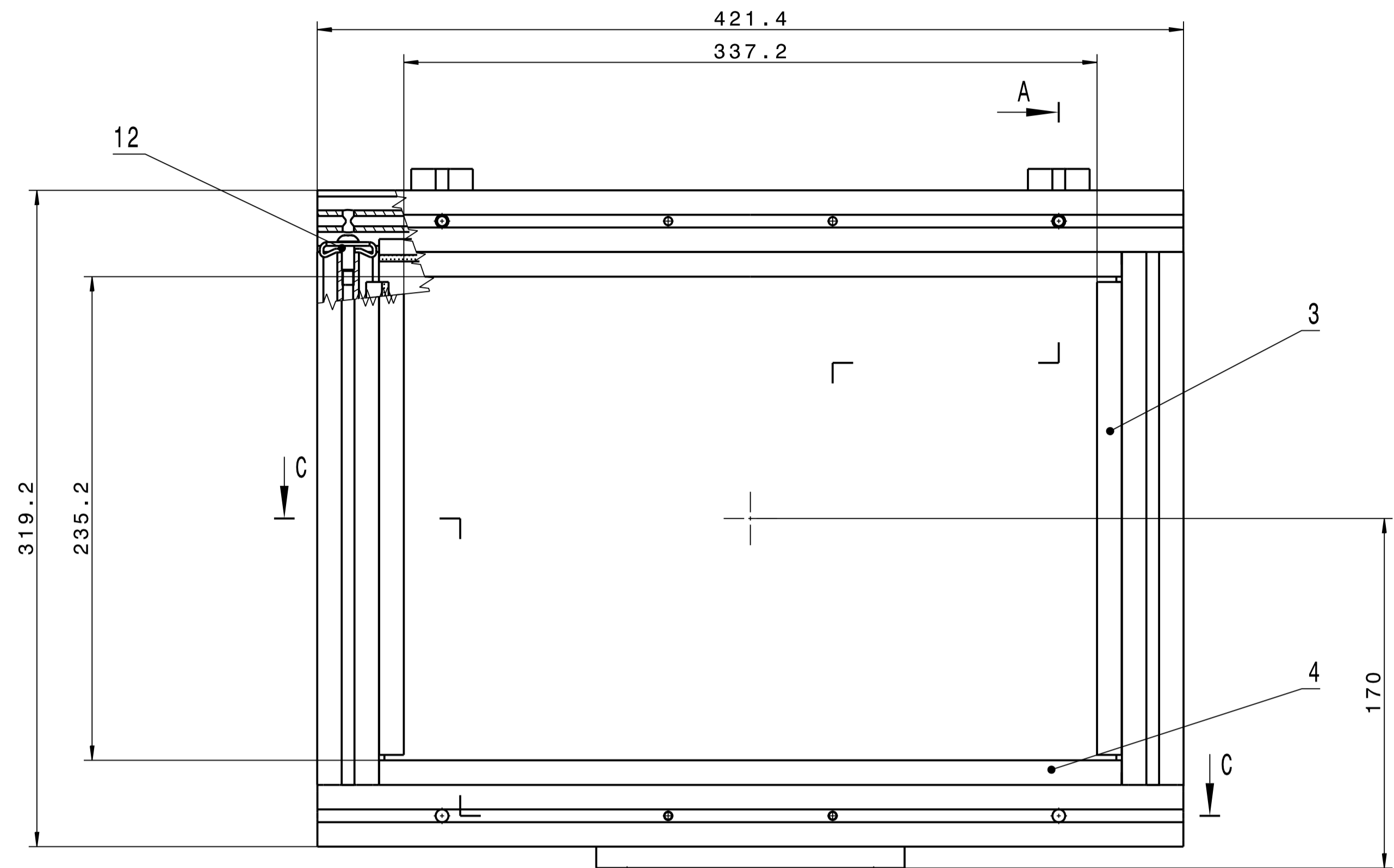
This drawing is an property of the project. It shall not be reproduced or disseminated without our written approval.

Copying of this Document, and giving it to others and the use of communication of the contents thereof, are forbidden without express authority. Offenders are liable to the payment of damages. All rights are reserved in the event of the grant of a patent or the registration of a utility model or design.			Rev. No.		Rev.-Doc.-No.	Date	Name			
			-							
HIT			Date	Name	Grundkoerper					
			Drawn	19.01.2016				HIT-SD		
			Checked							
			Approved			Drawing No.	03.03.00.00		Rev.	-
						Prev. Dwg.	Repl. for			
Item	Qty.	Description	Drawing No.	Dimensions (finished part)	Standard / Source of supply	Material	Remark			
1	1	Baugruppe Spiegeleinfassung	03.03.01.00							
2										
3										
4	1	Adapterplatte	03.03.00.01	400x360x10	mit vorgefräster Oberfläche	AlMg4,5Mn0,7	schwarz eloxiert			
5	1	Bodenplatte	03.03.00.02	380x340x10	mit vorgefräster Oberfläche	AlMg4,5Mn0,7	schwarz eloxiert			
6	1	Abdeckblech	03.03.00.03	397,33x360x0,5		1.4301	schwarz matt lackiert			
7	1	Adapterplatte 2	03.03.00.04	385x320x10	mit vorgefräster Oberfläche	AlMg4,5Mn0,7	schwarz eloxiert			
8	1	Deckelplatte	03.03.00.05	380x340x10	mit vorgefräster Oberfläche	AlMg4,5Mn0,7	schwarz eloxiert			
9										
10										
11	1	Profil 5 R204090 natur	03.03.00.06	L=340	Fa. Item	0.0.425.42	schwarz eloxiert			
12	1	Profil 5 20x10 natur	03.03.00.07	L=340	Fa. Item	0.0.391.02	schwarz eloxiert			
13	3	Profil 5 20x20 schwarz	03.03.00.08	L=300	Fa. Item	0.0.370.15				
14						EN AW-5083 (AlMg4,5Mn0,7)				
15										
16	8	Linsenflanschschraube		M5x10	Fa. Item	8.0.003.10	St. verzinkt			

Copying of this Document, and giving it to others and the use of communication of the contents thereof, are forbidden without express authority. Offenders are liable to the payment of damages. All rights are reserved in the event of the grant of a patent or the registration of a utility model or design.			Rev. No.	Rev.-Doc.-No.	Date	Name
			-			

HIT		Date	Name	Grundkoerper			
	Drawn	19.01.2016	HIT-SD				
	Checked						
	Approved			Drawing No.	03.03.00.00		Rev.
							-

Item	Qty.	Description	Drawing No.	Dimensions (finished part)	Standard / Source of supply	Material	Remark
17	8	Zylinderschraube		M4x12	ISO 4762	A2	
18	4	Zylinderschraube		M5x16	ISO 4762	A2	
19	6	Zylinderschraube		M5x20	ISO 4762	A2	
20	8	Zylinderschraube		M6x16	ISO 4762	A2	
21							
22	4	Zylinderstift		Ø4m6x20	ISO 2338	A2	
23							
24							
25							
26							
27							
28							
29							
30							
31							
32							



DESIGNED BY:	HIT-SD	I	-
DATE:	19.01.2016	H	-
		G	-
		F	-
		E	-
SIZE	A1	D	-
SCALE	1:2	C	-
		B	-
		A	-

RECHT (kg)		DRAWING NUMBER		SHEET	
2,8		03.03.01.00		1/1	

HIT

Baugruppe Spiegeleinfassung

Copying of this Document, and giving it to others and the use of communication of the contents thereof, are forbidden without express authority. Offenders are liable to the payment of damages. All rights are reserved in the event of the grant of a patent or the registration of a utility model or design.					Rev. No.	Rev.-Doc.-No.	Date	Name	
					-				
HIT					For information				
					Date	Name	Baugruppe Spiegeleinfassung		
			Drawn	19.01.2016	HIT-SD				
			Checked						
			Approved				Drawing No.		03.03.01.00
		Prev. Dwg.			Repl. for				
Item	Qty.	Description	Drawing No.	Dimensions (finished part)	Standard / Source of supply	Material	Remark		
1	2	Profil 6 30x30 natur	03.03.01.01	L=259,2	Fa. Item	0.0.419.01	schwarz eloxiert		
2	2	Profil 6 30x30 natur	03.03.01.02	L=421,2	Fa. Item	0.0.419.01	schwarz eloxiert		
3	2	Scheibeneinfassleiste 6 Al	03.03.01.03	L=230	Fa. Item	0.0.615.01	schwarz eloxiert		
4	2	Scheibeneinfassleiste 6 Al	03.03.01.04	L=361,2	Fa. Item	0.0.615.01	schwarz eloxiert		
5	2	Scheibeneinfassleiste 6	03.03.01.05	L=230	Fa. Item	0.0.614.90			
6	2	Scheibeneinfassleiste 6	03.03.01.06	L=361,2	Fa. Item	0.0.614.90			
7	1	Winkel 1	03.03.01.07	40x40x12x150	Fa. Norelem Art.-Nr.: 03180-202-150	Alu	Nacharbeit		
8	2	Befestigungsleiste	03.03.01.08	L=40	Fa. Item	0.0.478.05	schwarz eloxiert		
9									
10									
11									
12	4	Standard Verbindungssatz		6	Fa. Item	0.0.439.10	St. rostfrei		
13	4	Nutenstein 6 M6 rostfrei		6 M6	Fa. Item	0.0.439.75	St. rostfrei		
14									
15	1	Spiegel		356x254x6					
16									

Copying of this Document, and giving it to others and the use of communication of the contents thereof, are forbidden without express authority. Offenders are liable to the payment of damages. All rights are reserved in the event of the grant of a patent or the registration of a utility model or design.					Rev. No.	Rev.-Doc.-No.	Date	Name	
					-				
HIT					For information				
					Date	Name	Baugruppe Spiegeleinfassung		
			Drawn	19.01.2016	HIT-SD				
			Checked						
			Approved			Drawing No. 03.03.01.00			Rev.
			Prev. Dwg.			Repl. for			
Item	Qty.	Description	Drawing No.	Dimensions (finished part)	Standard / Source of supply	Material	Remark		
17	2	Zylinderschraube		M6x25	ISO 4762	A2			
18	4	Zylinderschraube		M6x12	ISO 4762	A2			
19									
20									
21									
22	2	Scheibe		Ø6,4	ISO 7089	A2			
23									
24	2	Zylinderstift		Ø4m6x30	ISO 2338	A2			
25	2	Zylinderstift		Ø4m6x20	ISO 2338	A2			
26									
27									
28									
29									
30									
31									
32									

D

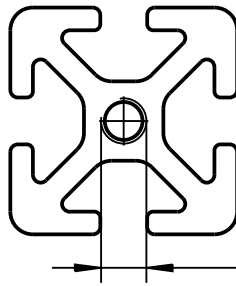
C

B

A

4

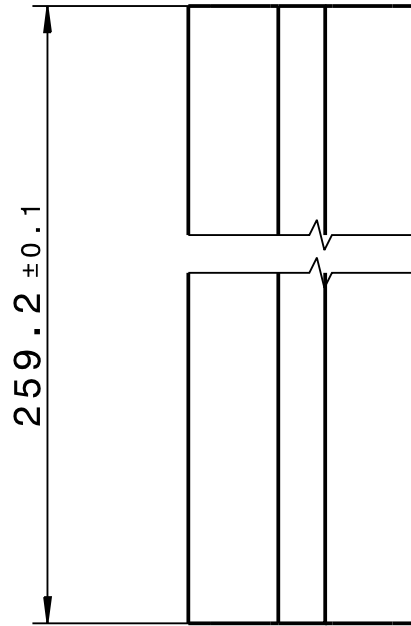
4



M6
16 tief

3

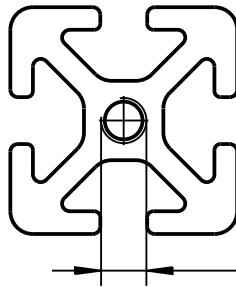
3



259.2 ± 0.1

2

2



M6
16 tief

schwarz
eloxiert

Kanten
ISO 13715

+0.3

-0.3

-0.1

Rz 25

DESIGNED BY:	HIT-SD
DATE:	15.01.2016
Material:	0.0.419.01
	Fa. Item
SIZE	A4
SCALE	1:1
WEIGHT (kg)	0,3

HIT		I	-
		H	-
Profil 6 30x30 natur		G	-
		F	-
03.03.01.01		E	-
		D	-
1/1		C	-
		B	-
03.03.01.01		A	-

I	-
H	-
G	-
F	-
E	-
D	-
C	-
B	-
A	-

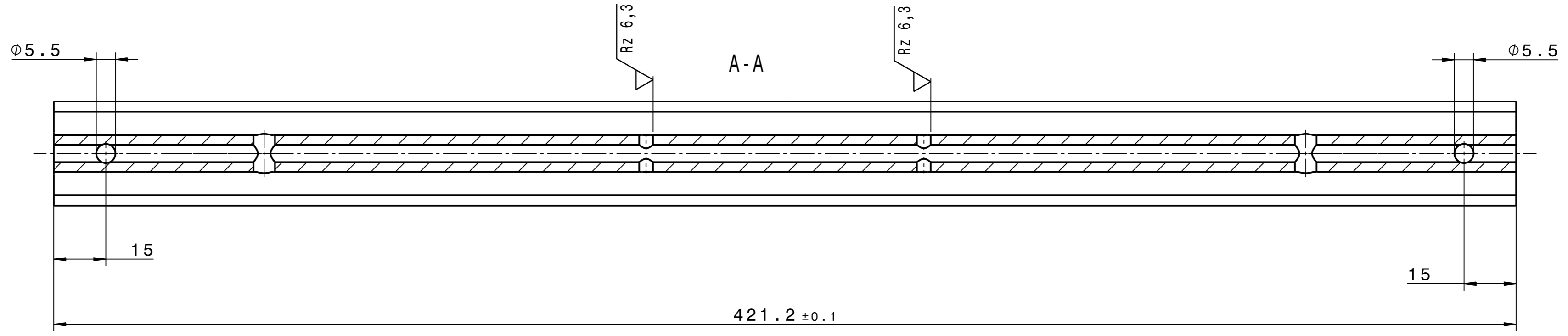
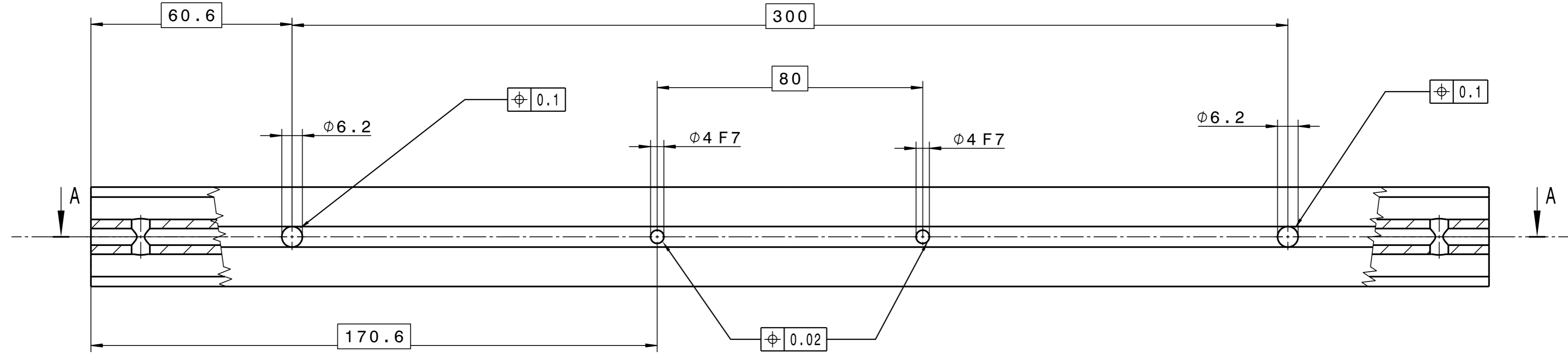
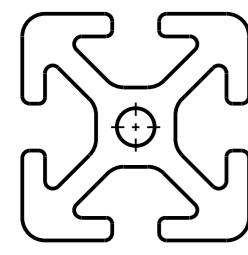
This drawing is our property; it can't be reproduced or communicated without our written agreement.

D

A

1

1



schwarz eloxiert
 Kanten ISO 13715 $\begin{matrix} +0.3 \\ -0.1 \end{matrix}$ $\begin{matrix} -0.3 \\ -0.1 \end{matrix}$ $\left(\sqrt{Rz\ 6,3} \right) \sqrt{Rz\ 25}$

DESIGNED BY: HIT-SD	HIT		I	-	
DATE: 15.01.2015			H	-	
MATERIAL: 0.0.419.01			G	-	
Fa. Item	Profil 6 30x30 natur		F	-	
SIZE: A2			E	-	
SCALE: 1:1	WEIGHT (kg): 0,5	DRAWING NUMBER: 03.03.01.02	SHEET: 1/1	D	-
This drawing is our property; it can't be reproduced or communicated without our written agreement.				C	-
				B	-
				A	-



D

C

B

A

4

4

3

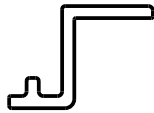
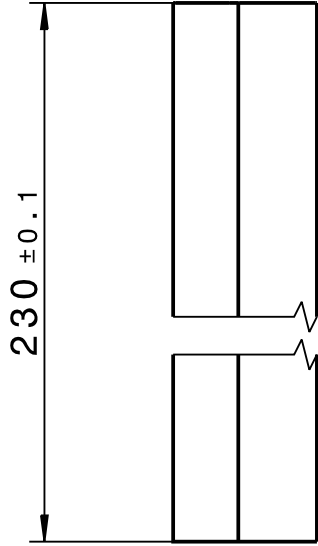
3

2

2

1

1



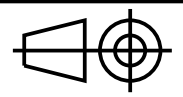
Kanten ISO 13715 $\begin{matrix} +0.3 \\ -0.1 \end{matrix}$ -0.3 schwarz eloxiert $\sqrt{\text{Rz 25}}$

DESIGNED BY: HIT-SD
 DATE: 19.01.2016
 Material: 0.0.615.01

HIT

I	-
H	-
G	-
F	-
E	-
D	-
C	-
B	-
A	-

SIZE A4



Scheibeneinfassleiste 6 Al

SCALE 1:1

WEIGHT (kg) 0.03

DRAWING NUMBER 03.03.01.03

SHEET 1/1

This drawing is our property; it can't be reproduced or communicated without our written agreement.

D

A

D

C

B

A

4

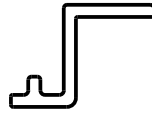
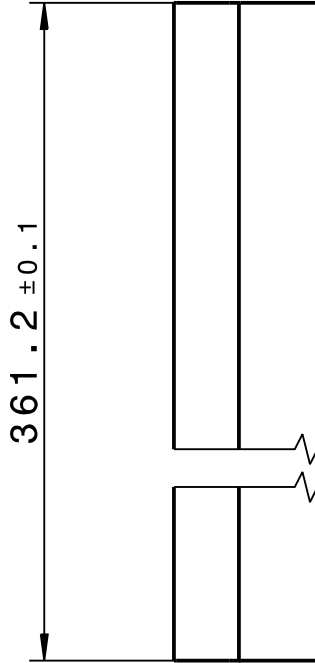
4

3

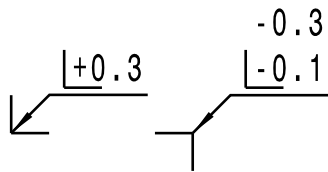
3

2

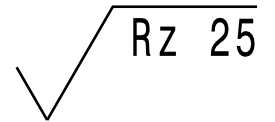
2



Kanten
ISO 13715



schwarz
eloxiert

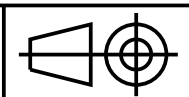


DESIGNED BY:
HIT-SD
DATE:
19.01.2016
Material:
0.0.615.01
Fa. Item

HIT

I	-
H	-
G	-
F	-
E	-
D	-
C	-
B	-
A	-

SIZE
A4



Scheibeneinfassleiste 6 Al

SCALE
1:1

WEIGHT (kg)
0,04

DRAWING NUMBER
03.03.01.04

SHEET
1/1

This drawing is our property; it can't be reproduced or communicated without our written agreement.

D

A

1

1

D

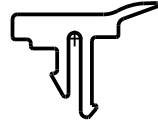
C

B

A

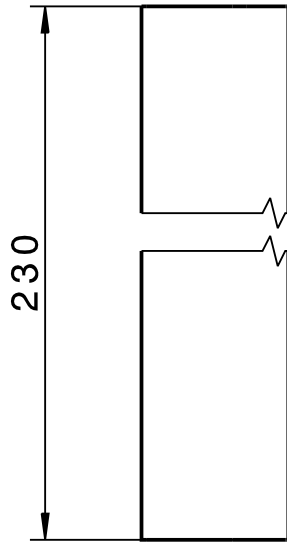
4

4



3

3



2

2

DESIGNED BY:
HIT-SD

DATE:
19.01.2016

Material:
0.0.614.90

Fa. Item

HIT

I	-
H	-
G	-
F	-
E	-
D	-
C	-
B	-
A	-

1

1

SIZE
A4

Scheibeneinfassleiste 6

SCALE
1:1

WEIGHT (kg)
0.02

DRAWING NUMBER
03.03.01.05

SHEET
1/1

This drawing is our property; it can't be reproduced or communicated without our written agreement.

D

A

D

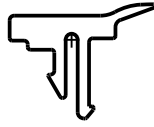
C

B

A

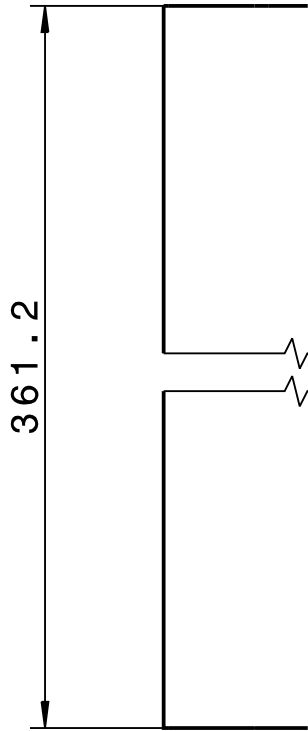
4

4



3

3



2

2

1

1

DESIGNED BY:
HIT-SD

DATE:
19.01.2016

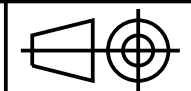
Material:
0.0.614.90

Fa. Item

HIT

I	-
H	-
G	-
F	-
E	-
D	-
C	-
B	-
A	-

SIZE
A4



Scheibeneinfassleiste 6

SCALE
1:1

WEIGHT (kg)
0,04

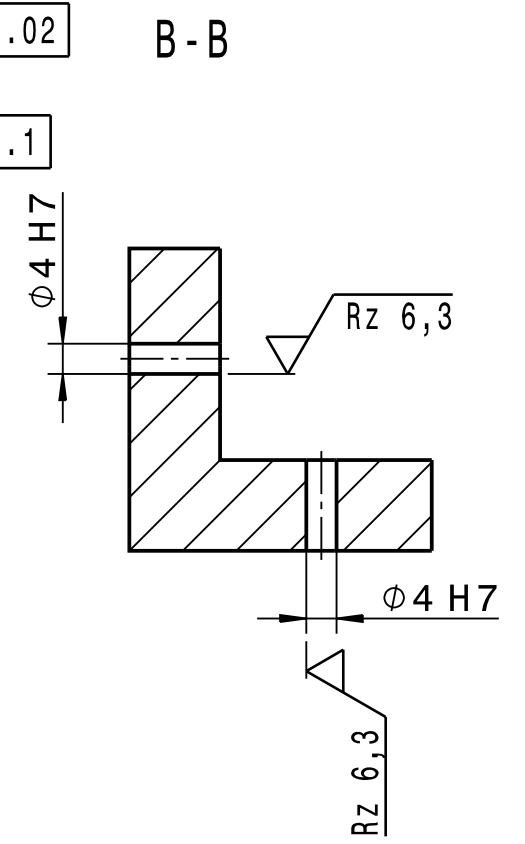
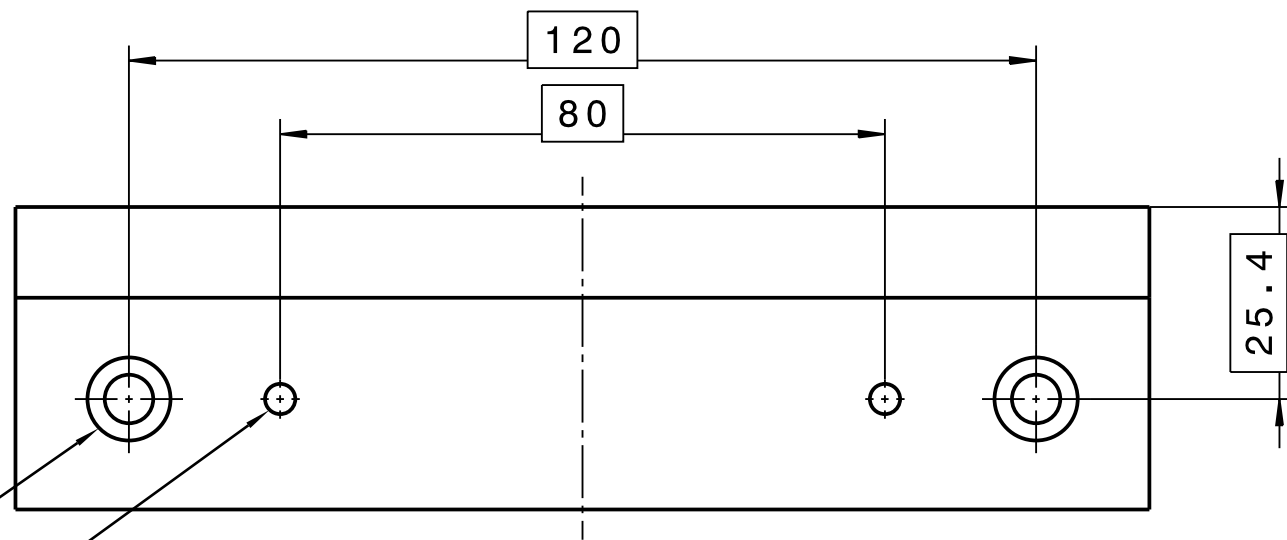
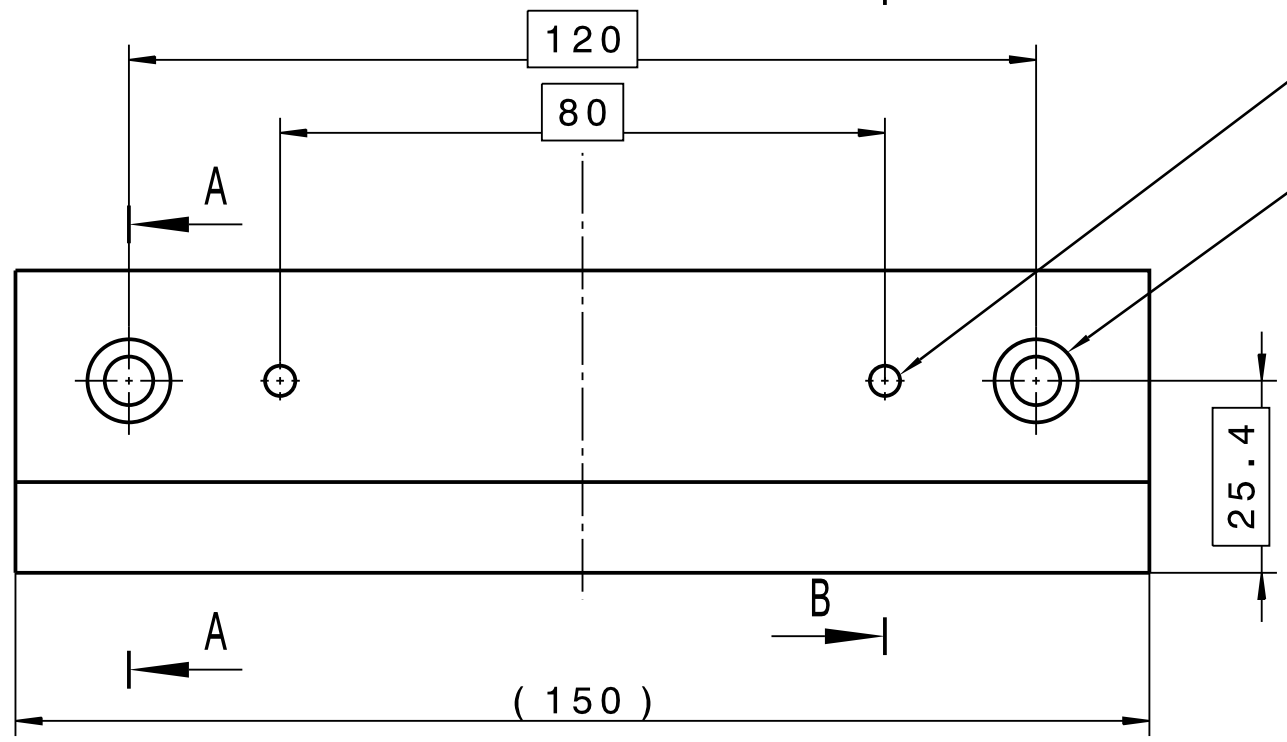
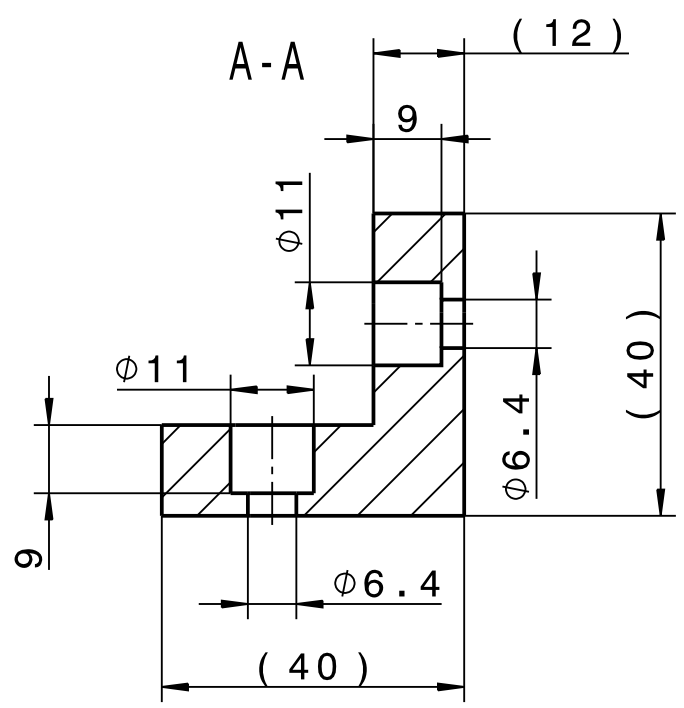
DRAWING NUMBER
03.03.01.06

SHEET
1/1

This drawing is our property; it can't be reproduced or communicated without our written agreement.

D

A



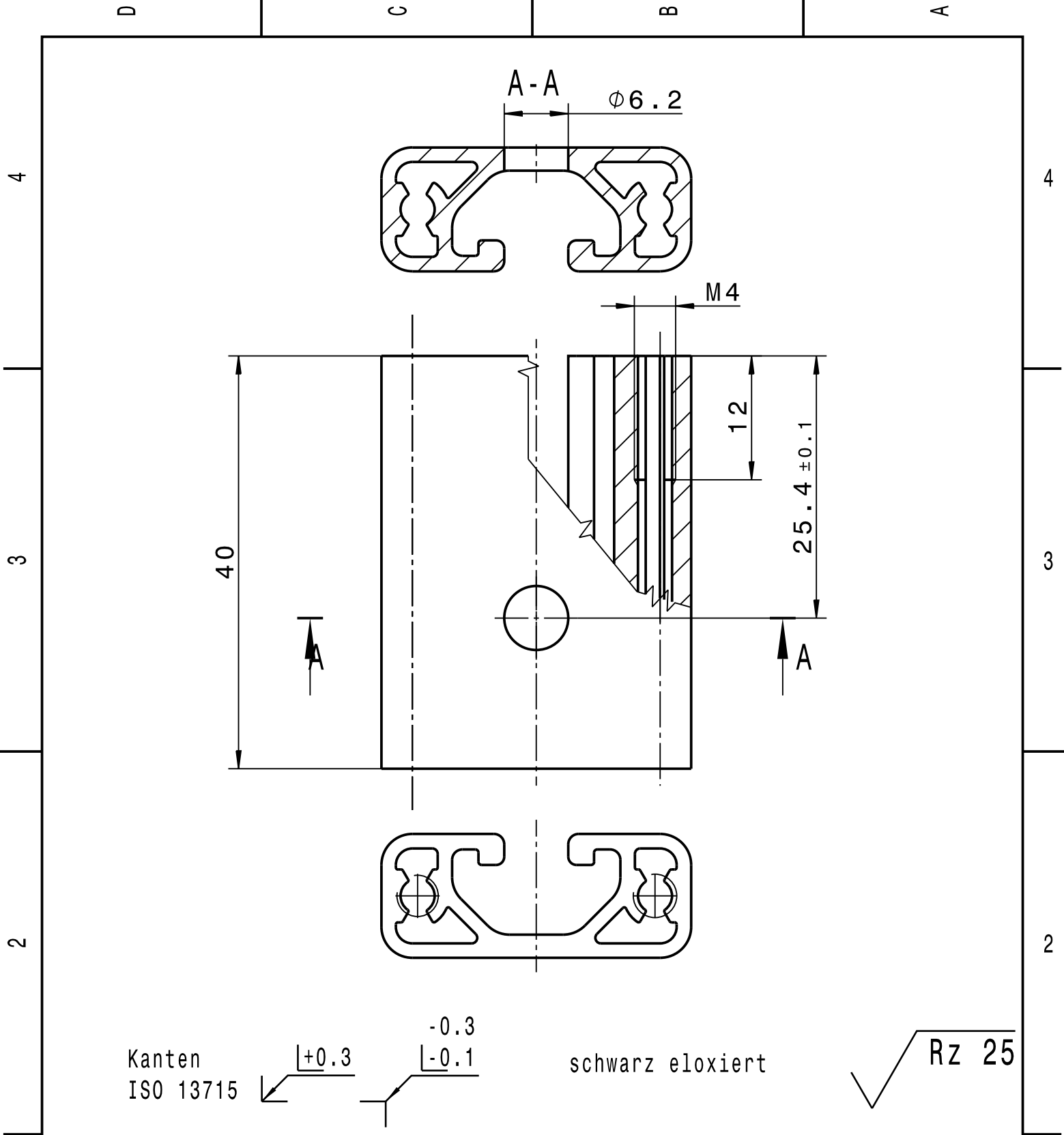
Nacharbeit an:
 L-Profil
 Art.-Nr.: 03180-202-150
 Fa. Norelem

$\phi 0.1$
 $\phi 0.02$


Kanten ISO 13715 $+0.3$ -0.3 -0.1

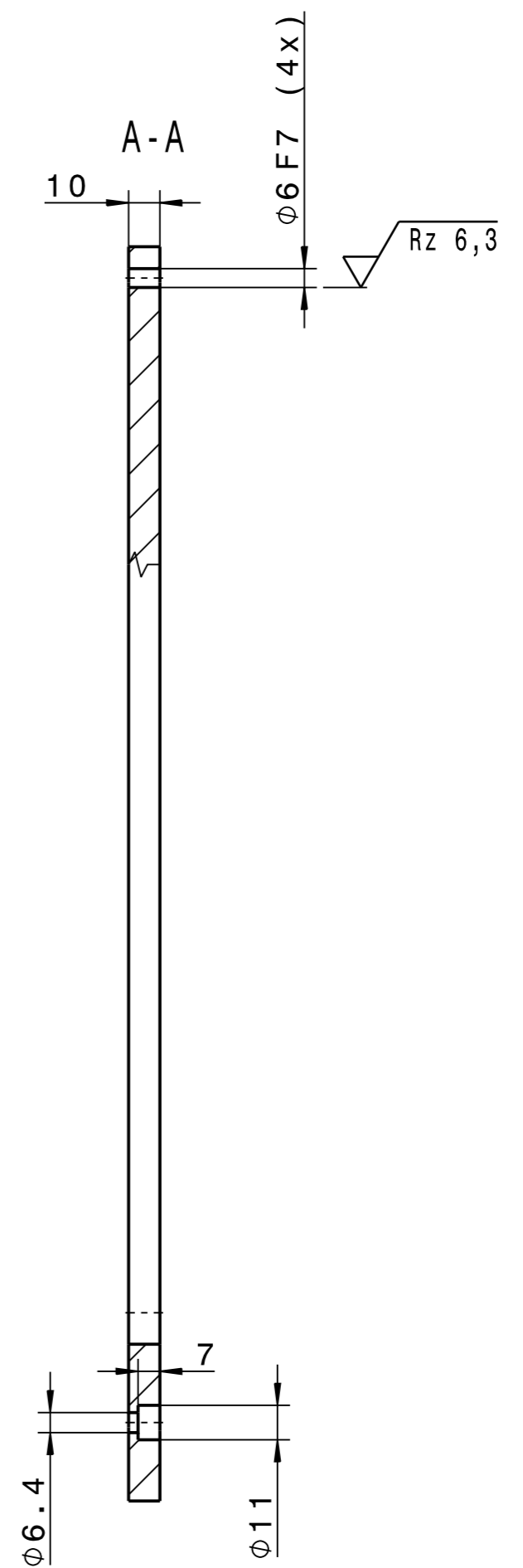
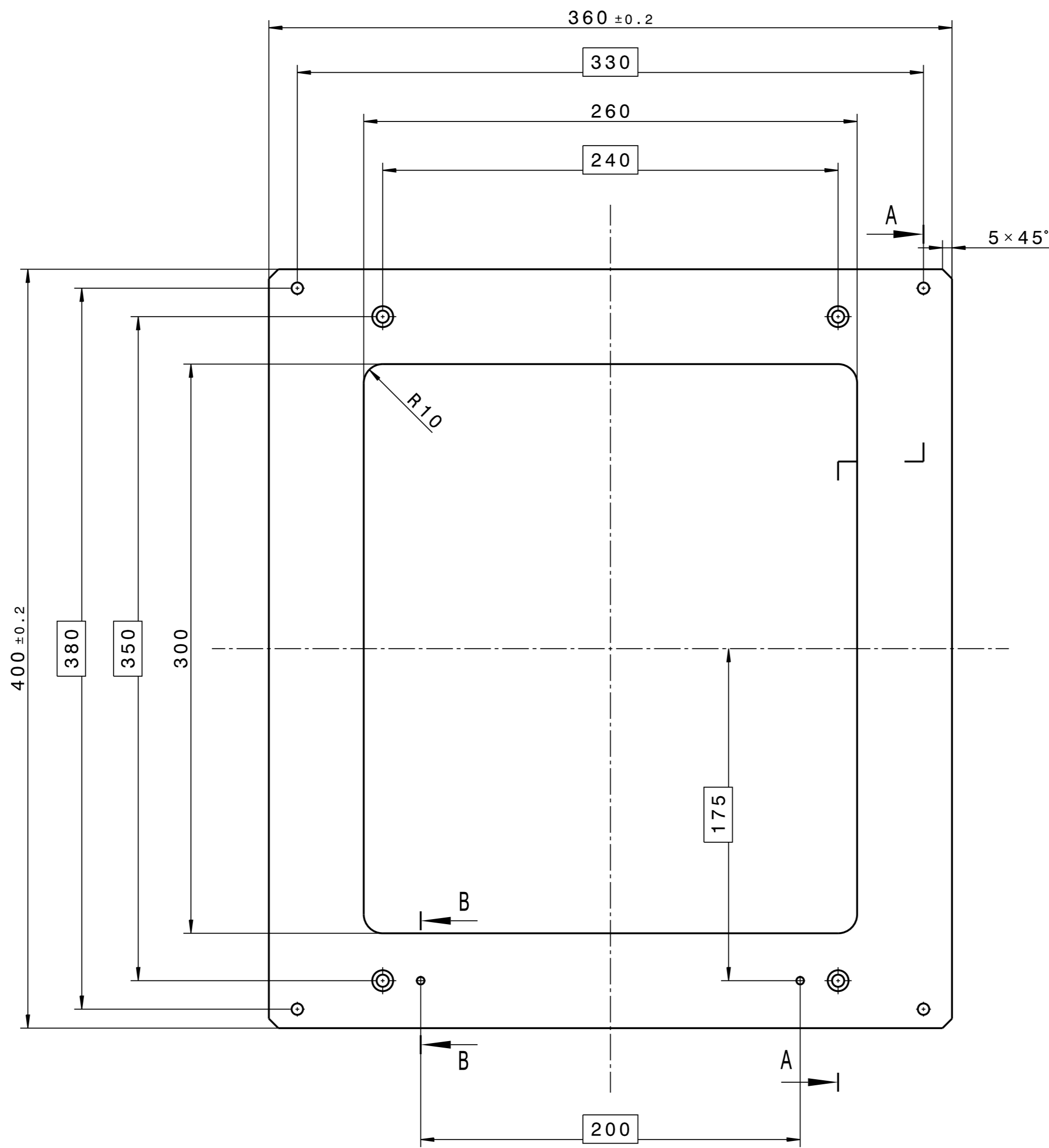
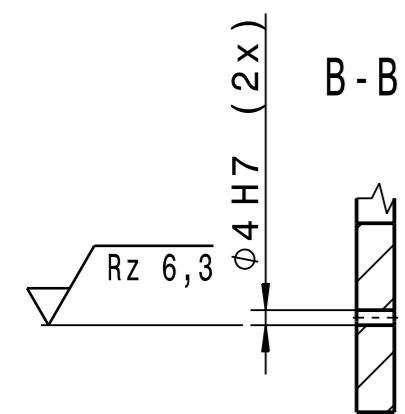
$Rz 6,3$ $Rz 25$

DESIGNED BY: HIT-SD	HIT			I	-
DATE: 19.01.2016				H	-
MATERIAL: 03180-202-150 Fa. Norelem				G	-
SIZE: A3	Winke1 1			F	-
SCALE: 1:1				E	-
WEIGHT (kg): 0,3	DRAWING NUMBER: 03.03.01.07	SHEET: 1/1	D	-	
This drawing is our property; it can't be reproduced or communicated without our written agreement.				C	-
				B	-
				A	-



Kanten ISO 13715 $+0.3$ -0.3 -0.1 schwarz eloxiert $\sqrt{\text{Rz 25}}$

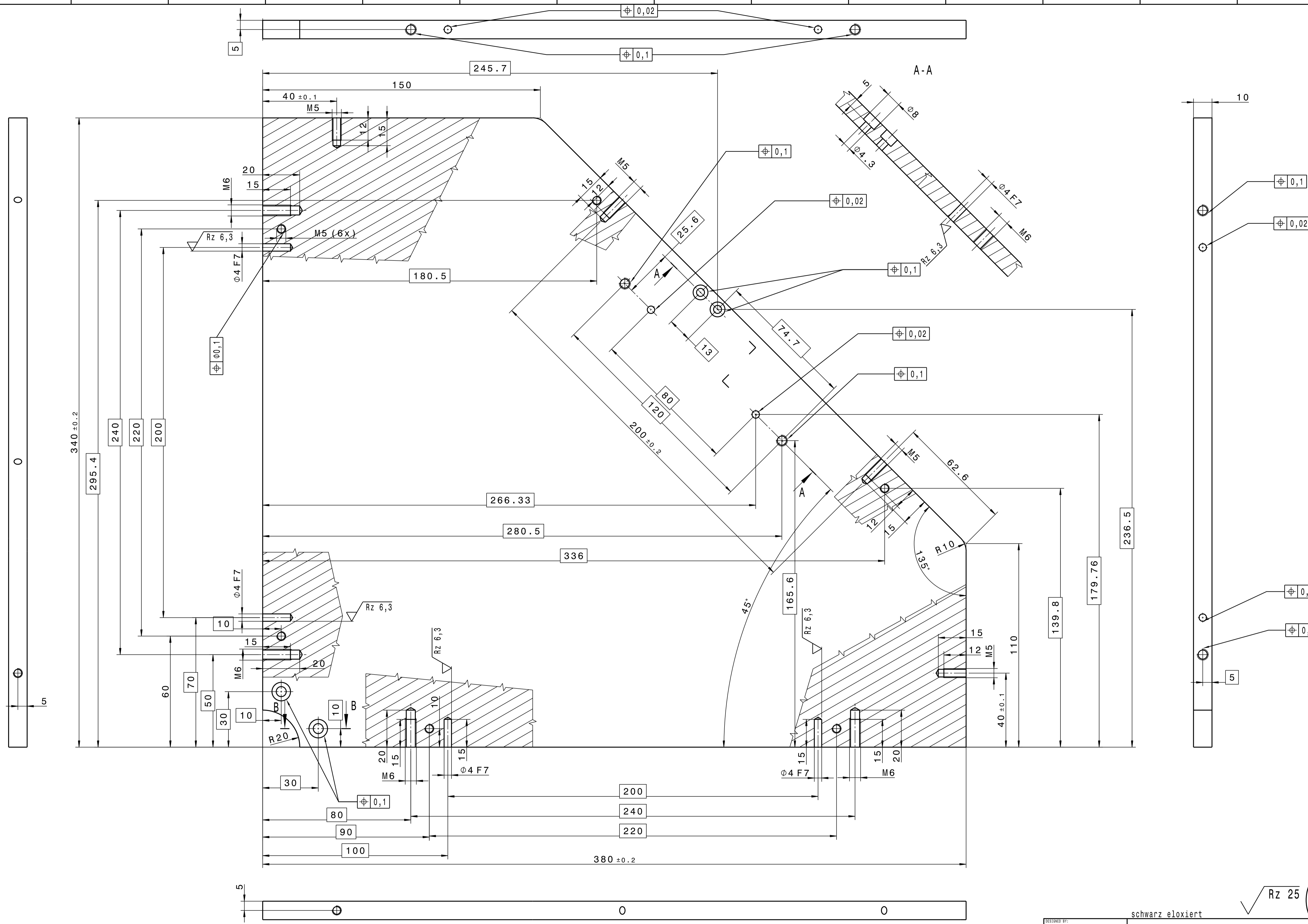
DESIGNED BY: HIT-SD	HIT			I	-
DATE: 19.01.2016				H	-
MATERIAL: 0.0.478.05				G	-
SIZE A4	Befestigungsleiste			F	-
				E	-
SCALE 2:1	WEIGHT (kg) 0,02	DRAWING NUMBER 03.03.01.08	SHEET 1/1	D	-
This drawing is our property; it can't be reproduced or communicated without our written agreement.				C	-
				A	-



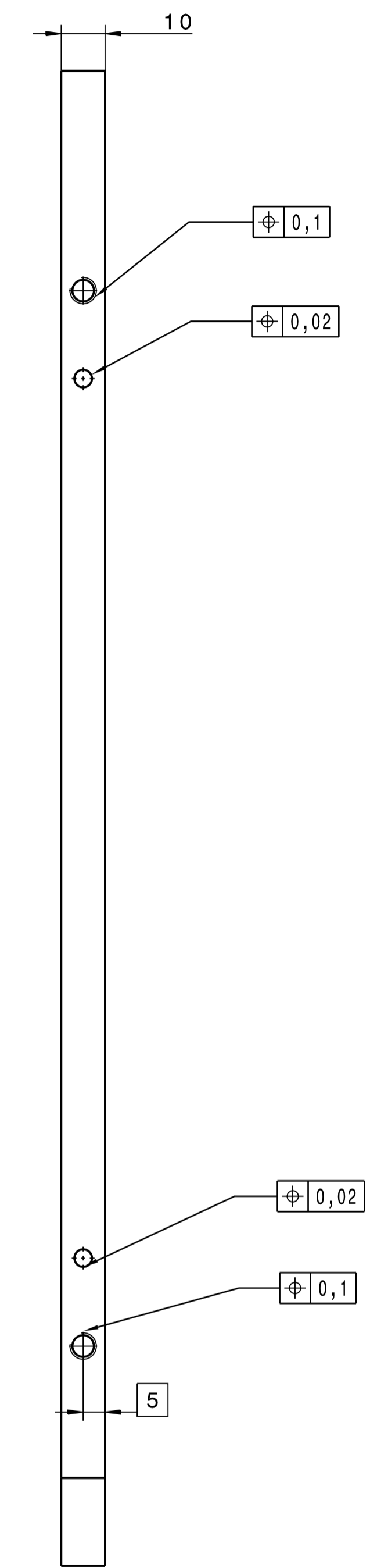
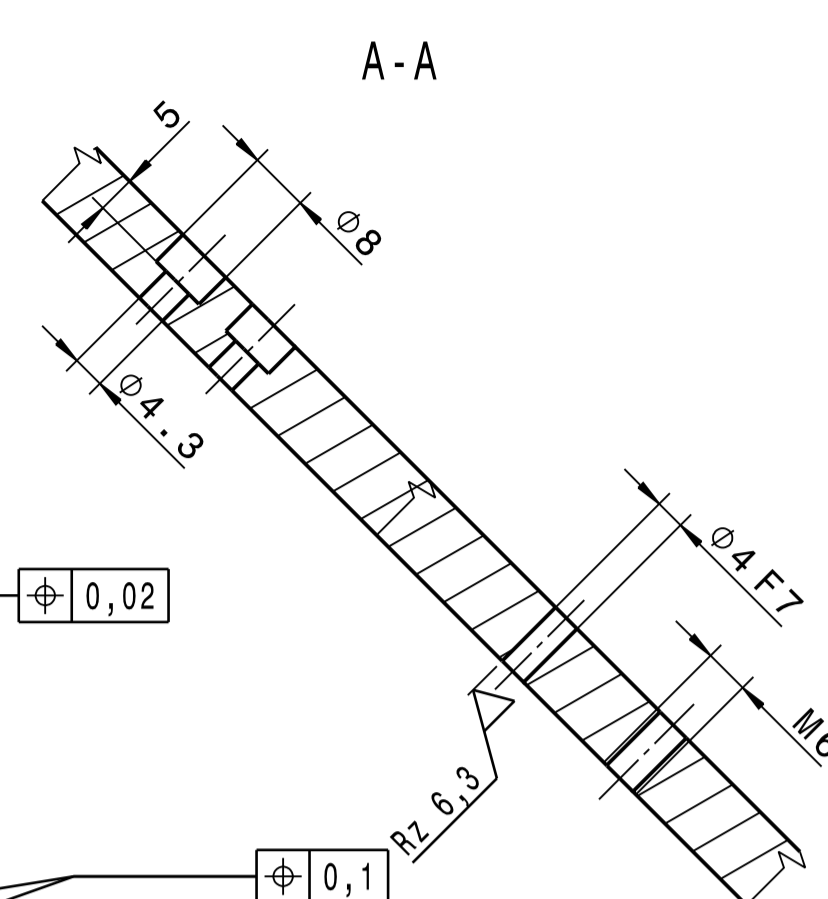
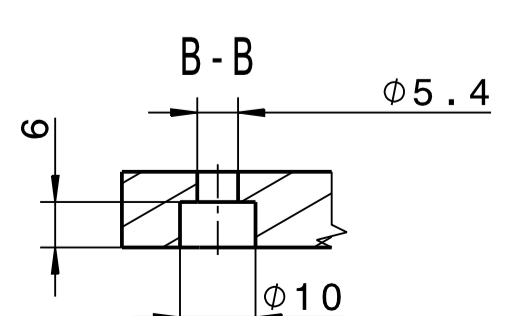
Oberfläche schwarz eloxiert

$\sqrt{RZ 25}$ ($\sqrt{Rz 6,3}$)

DESIGNED BY: HIT-SD	HIT		I	-	
DATE: 15.01.2016			H	-	
MATERIAL: AlMg4,5Mn0,7 mit vorgefräster Oberfläche	Adapterplatte		G	-	
SIZE: A2			E	-	
SCALE: 1:2	WEIGHT (kg): 1,77	DRAWING NUMBER: 03.03.00.01	SHEET: 1/1	D	-
This drawing is our property; it can't be reproduced or communicated without our written agreement.				C	-
				B	-
				A	-

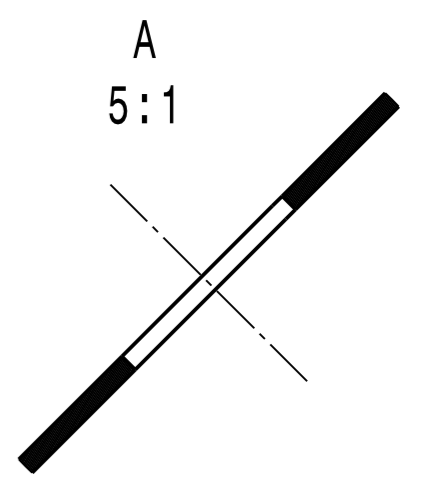
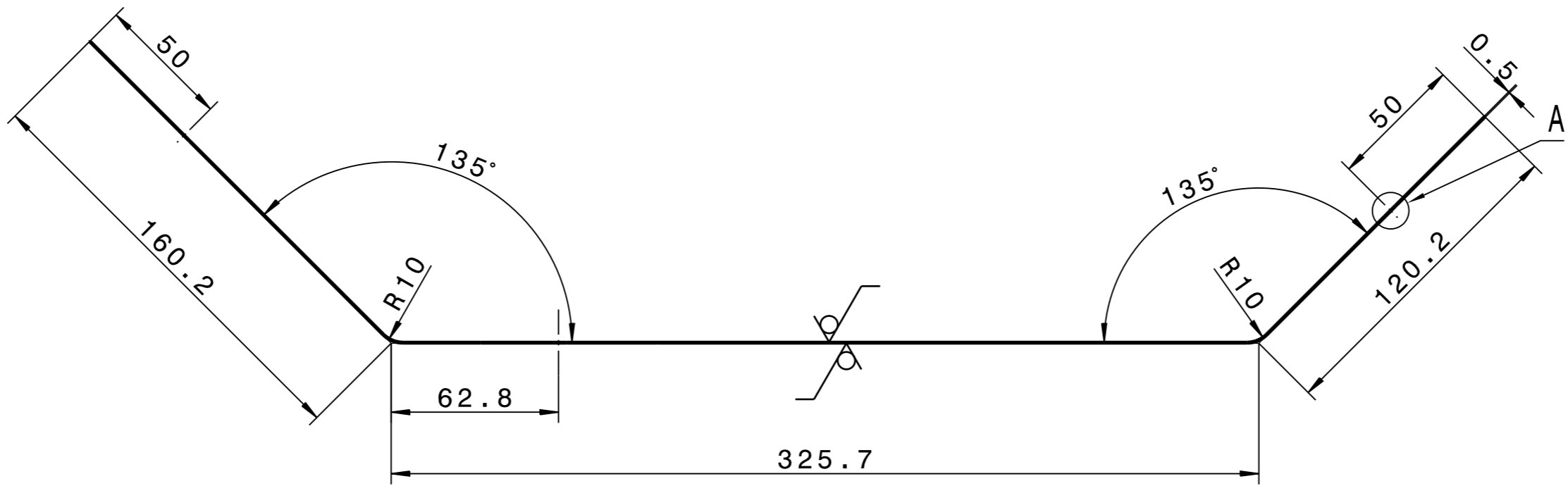
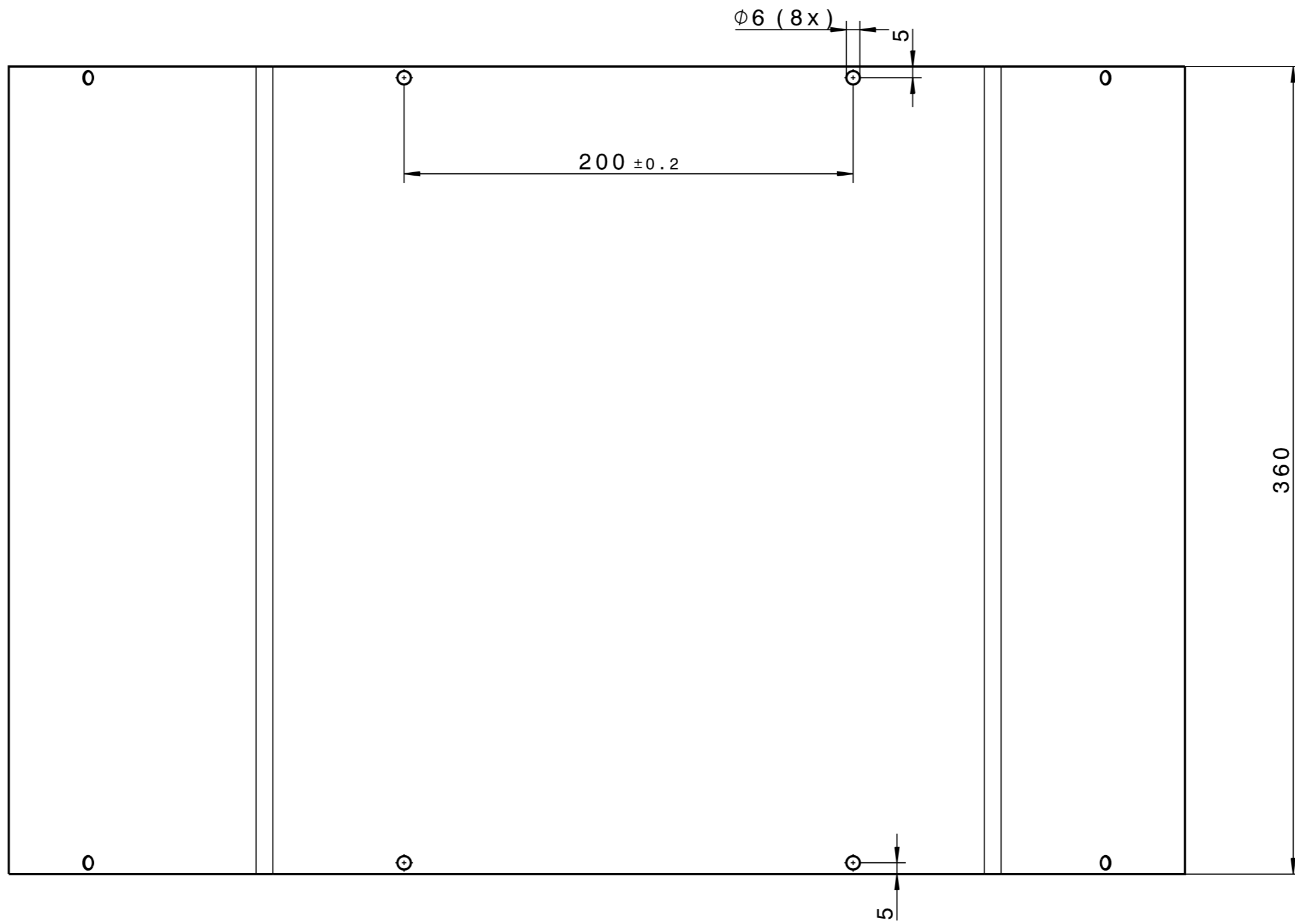


O

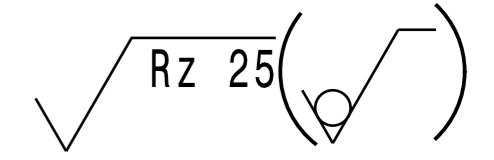


$\sqrt{Rz\ 25}$ ($\sqrt{Rz\ 6,3}$)

DESIGNED BY:	HIT-SD	schwarz eloxiert	IIT
DATE:	15.01.2016		
MATERIAL:	AlMg4,5Mn0,7 mit vorgefräster Oberfläche	Bodenplatte	IIT
SIZE:	A1		
SCALE:	1:1	03.03.00.02	1/1
<small>This drawing is our property; it can't be reproduced or communicated without our written agreement.</small>			

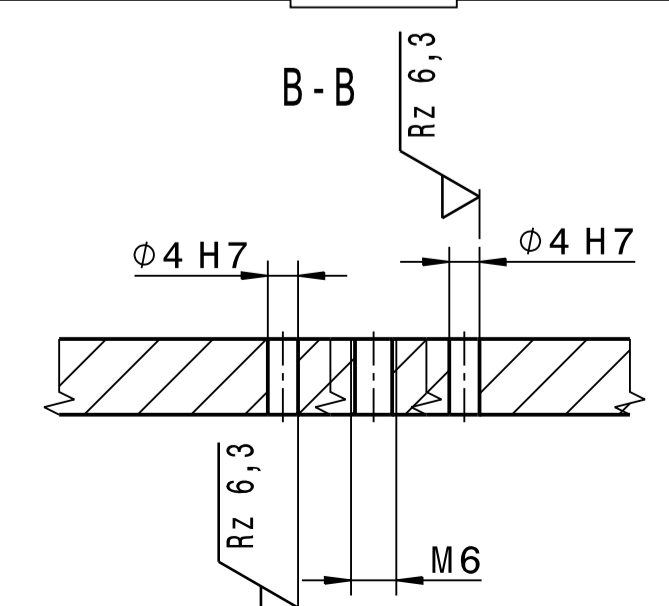
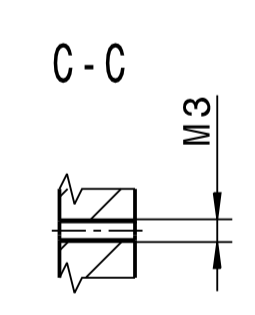
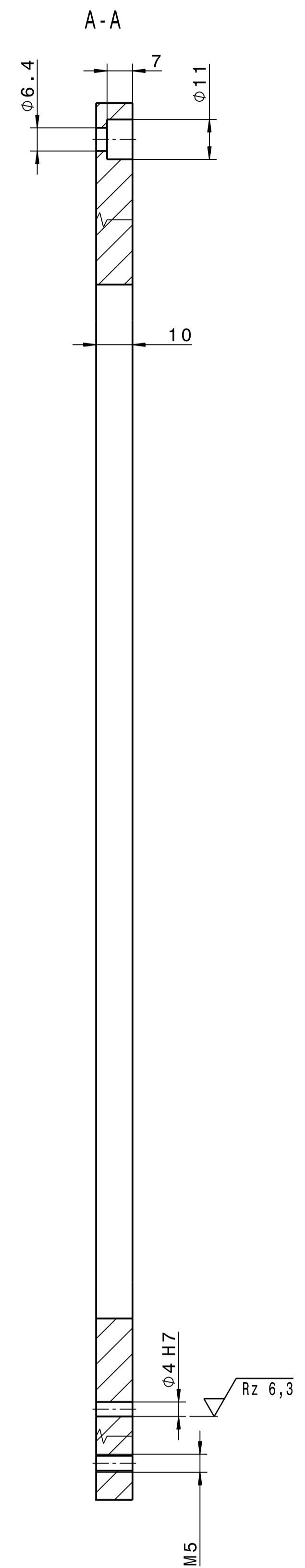
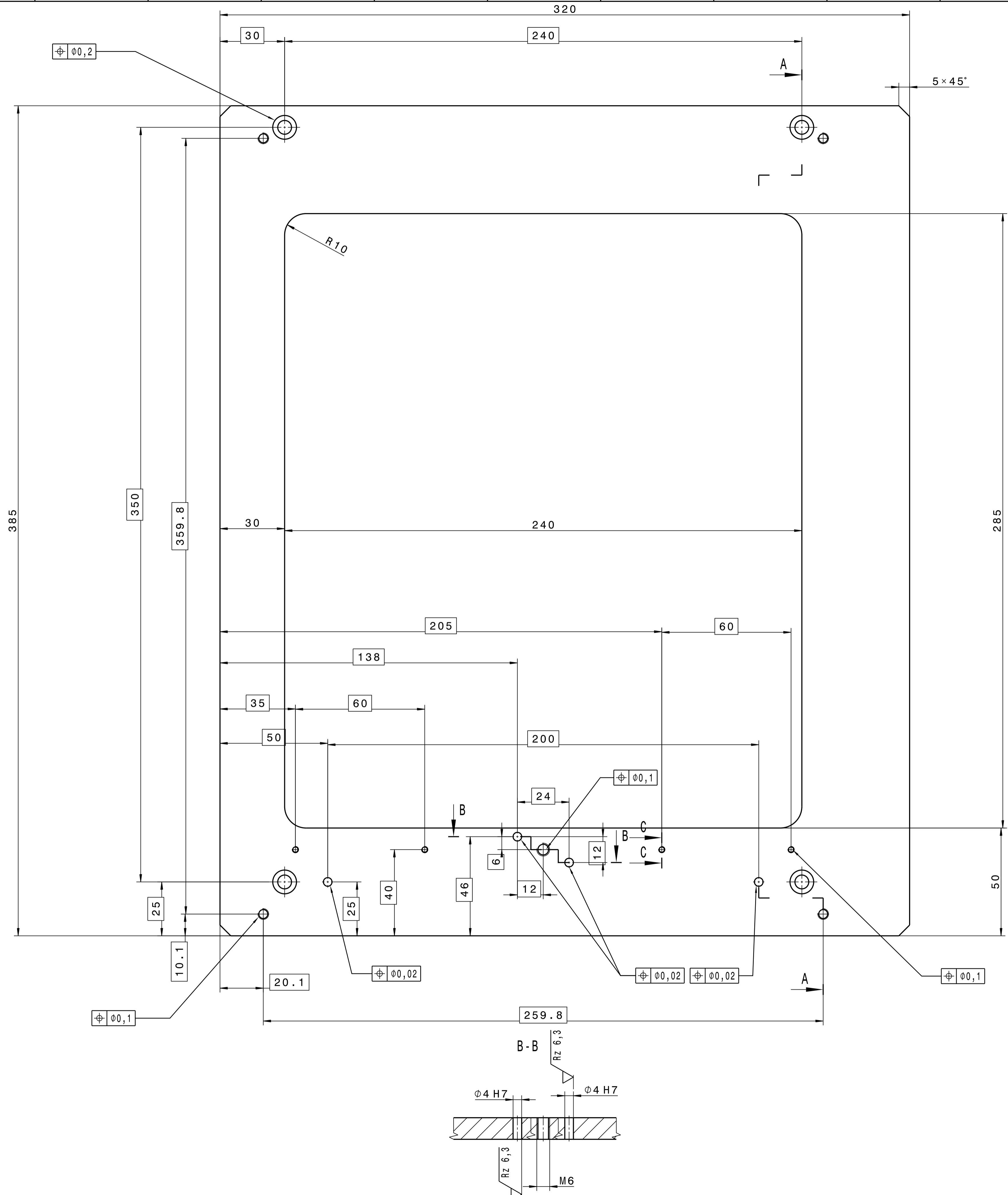


gestreckte Länge: 397,33 mm



schwarz lackiert

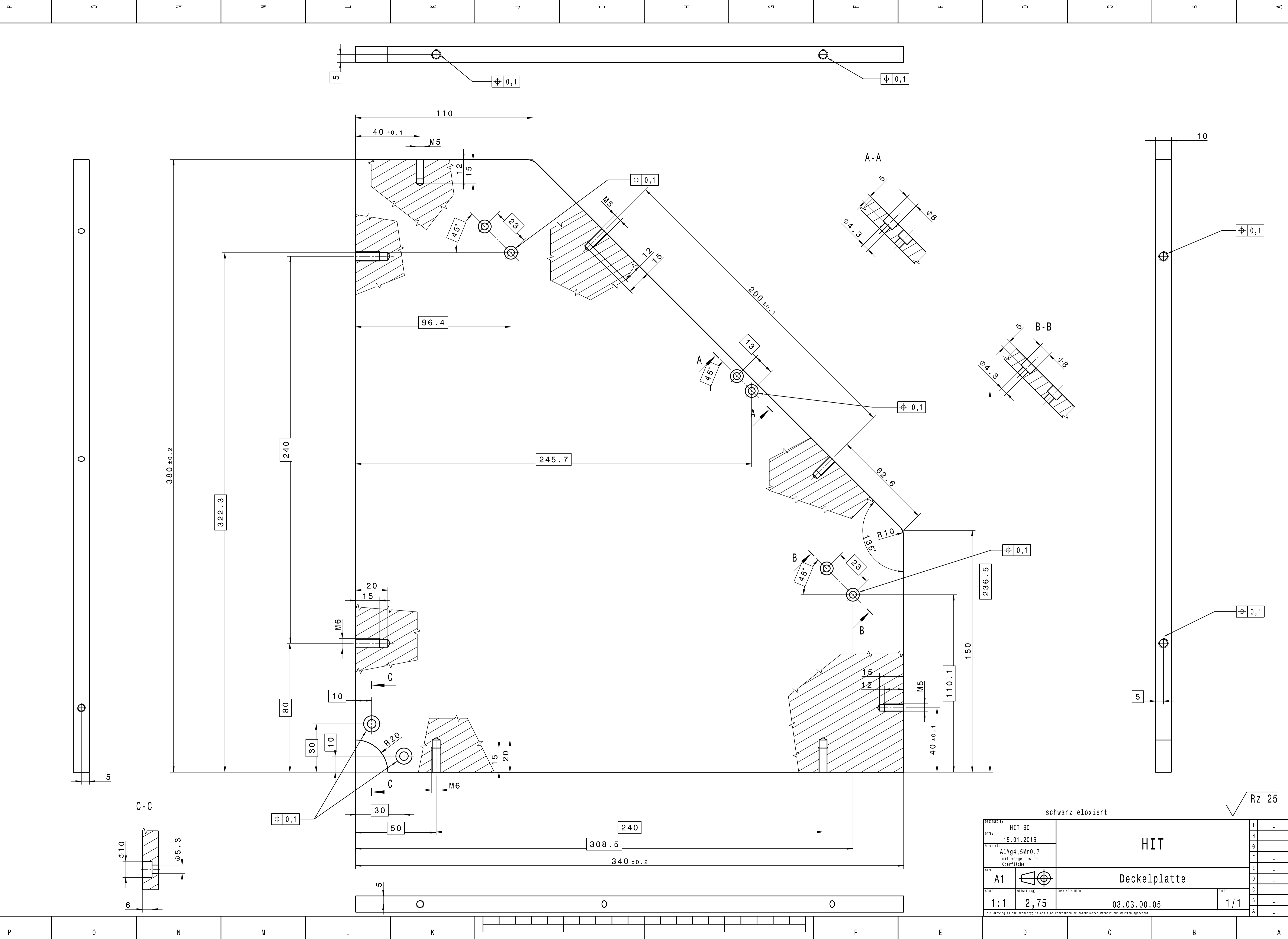
DESIGNED BY: HIT-SD	HIT	I	-
DATE: 15.01.2016		H	-
MATERIAL: 1.4301		G	-
SIZE: A2	Abdeckblech	F	-
SCALE: 1:2 (5:1)		E	-
WEIGHT (kg): 0,86	DRAWING NUMBER: 03.03.00.03	D	-
SHEET: 1/1		C	-
This drawing is our property; it can't be reproduced or communicated without our written agreement.		B	-
		A	-



Kanten schwarz eloxiert ISO 13715 $\begin{matrix} +0.3 \\ -0.1 \end{matrix}$ $\sqrt{Rz 25}$ ($\sqrt{Rz 6,3}$)

DESIGNED BY: HIT-SD	HIT	I	-
DATE: 15.01.2016		H	-
MATERIAL: AlMg4,5Mn0,7 mit vorgefräster Oberfläche	G	-	
	F	-	
	E	-	
SIZE: A1	Adapterplatte 2	D	-
SCALE: 1:1		C	-
WEIGHT (kg): 1,47		B	-
DRAWING NUMBER: 03.03.00.04	A	-	
SHEET: 1/1			

This drawing is our property. It can't be reproduced or communicated without our written agreement.



DESIGNED BY: HIT-SD		I	-
DATE: 15.01.2016			
MATERIAL: AlMg4,5Mn0,7 mit vorgefräster Oberfläche		G	-
schwarz eloxiert <div style="text-align: right;">√ Rz 25</div>		F	-
		E	-
SIZE: A1	RECHT (TYP):	D	-
SCALE: 1:1	DRAWING NUMBER: 03.03.00.05	C	-
		B	-
		A	-

H G F E D C B A

4

4

3

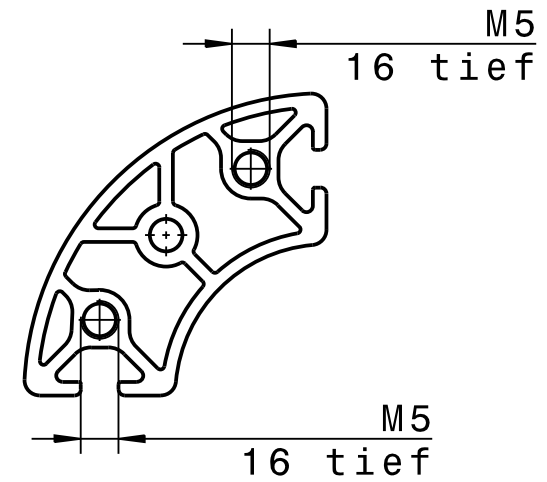
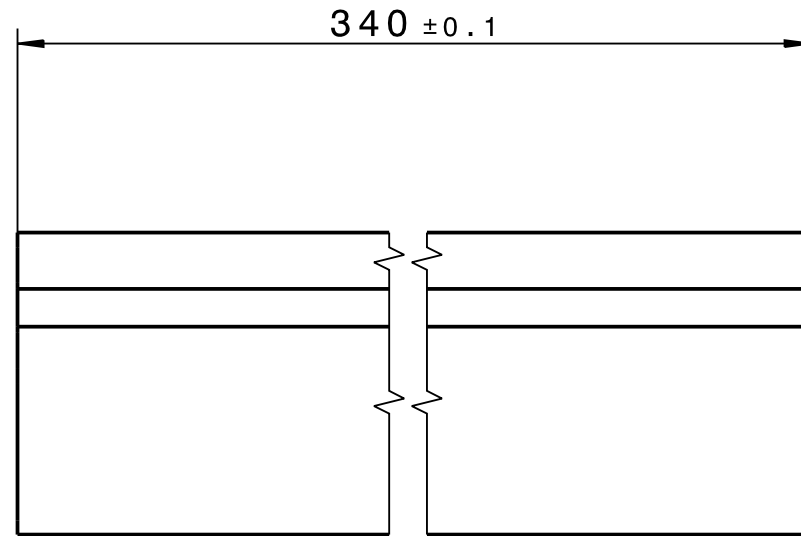
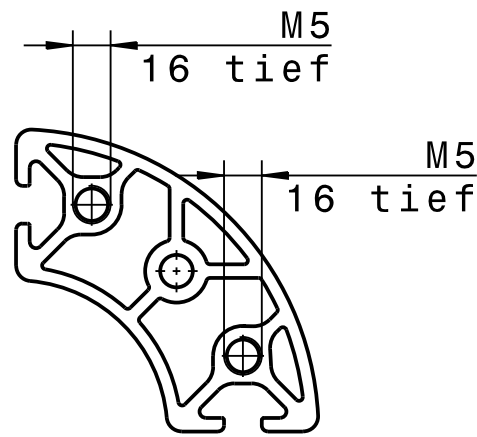
3

2

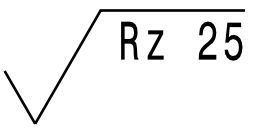
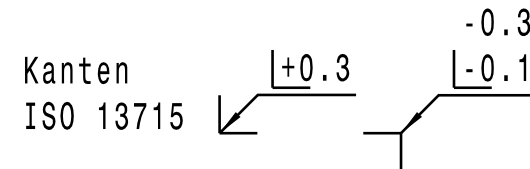
2

1

1



schwarz eloxiert



DESIGNED BY: HIT-SD		HIT		I	-
DATE: 15.01.2016				H	-
Material: 0.0.425.42				G	-
Fa. Item		F	-	E	-
SIZE A3		Profil 5 R204090		D	-
SCALE 1:1	WEIGHT (kg) 0,4	DRAWING NUMBER 03.03.00.06	SHEET 1/1	C	-
This drawing is our property; it can't be reproduced or communicated without our written agreement.				B	-
				A	-

H G B A

D

C

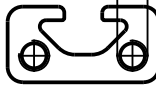
B

A

4

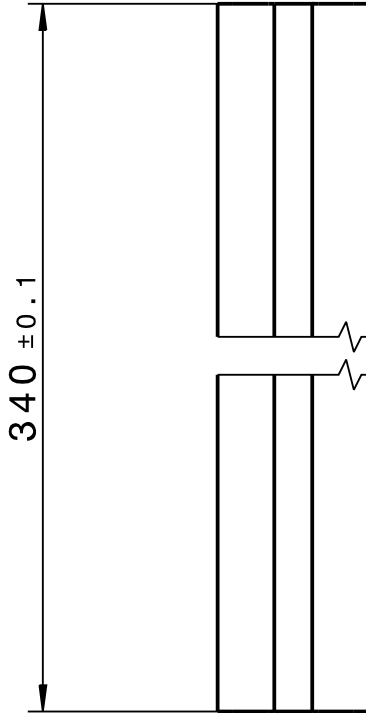
4

M4 (4x)
16 tief



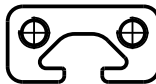
3

3



2

2



Kanten ISO 13715
+0.3
-0.3
-0.1

schwarz eloxiert

Rz 25

DESIGNED BY: HIT-SD
DATE: 15.01.2016
Material: 0.0.391.02
Fa. Item

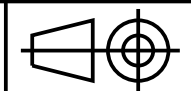
HIT

I	-
H	-
G	-
F	-
E	-
D	-
C	-
B	-
A	-

1

1

SIZE A4



Profil 5 20x10 natur

SCALE 1:1

WEIGHT (kg) 0,12

DRAWING NUMBER 03.03.00.07

SHEET 1/1

This drawing is our property; it can't be reproduced or communicated without our written agreement.

D

A

D

C

B

A

4

4

3

3

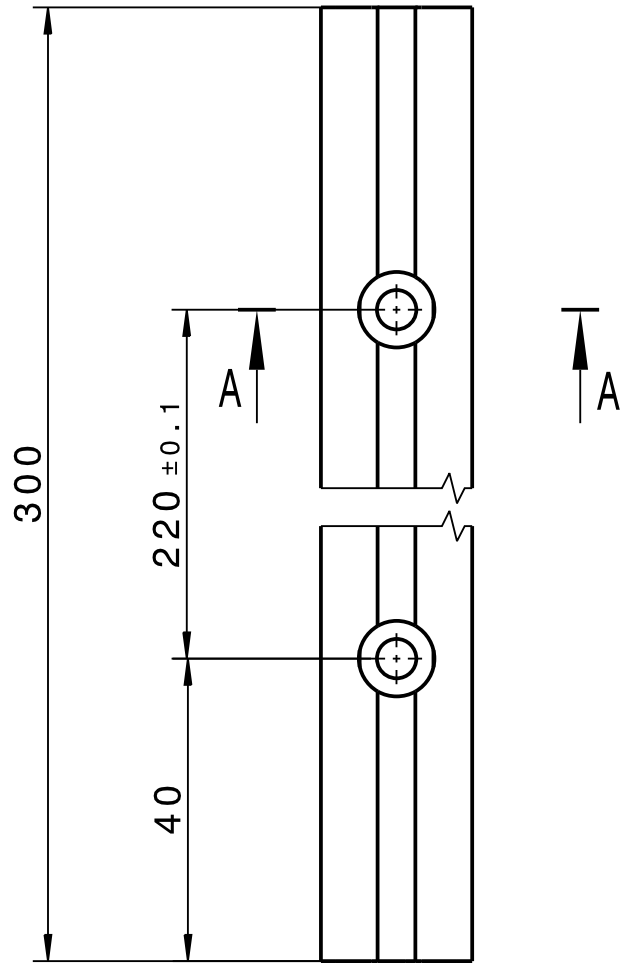
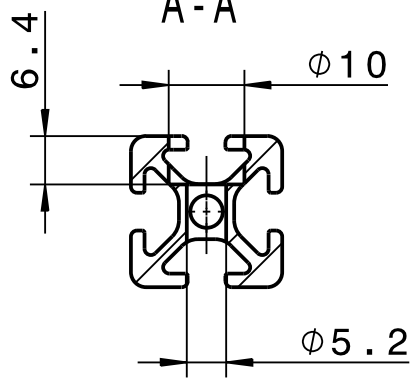
2

2

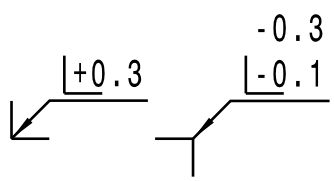
1

1

A-A



Kanten
ISO 13715



Rz 25

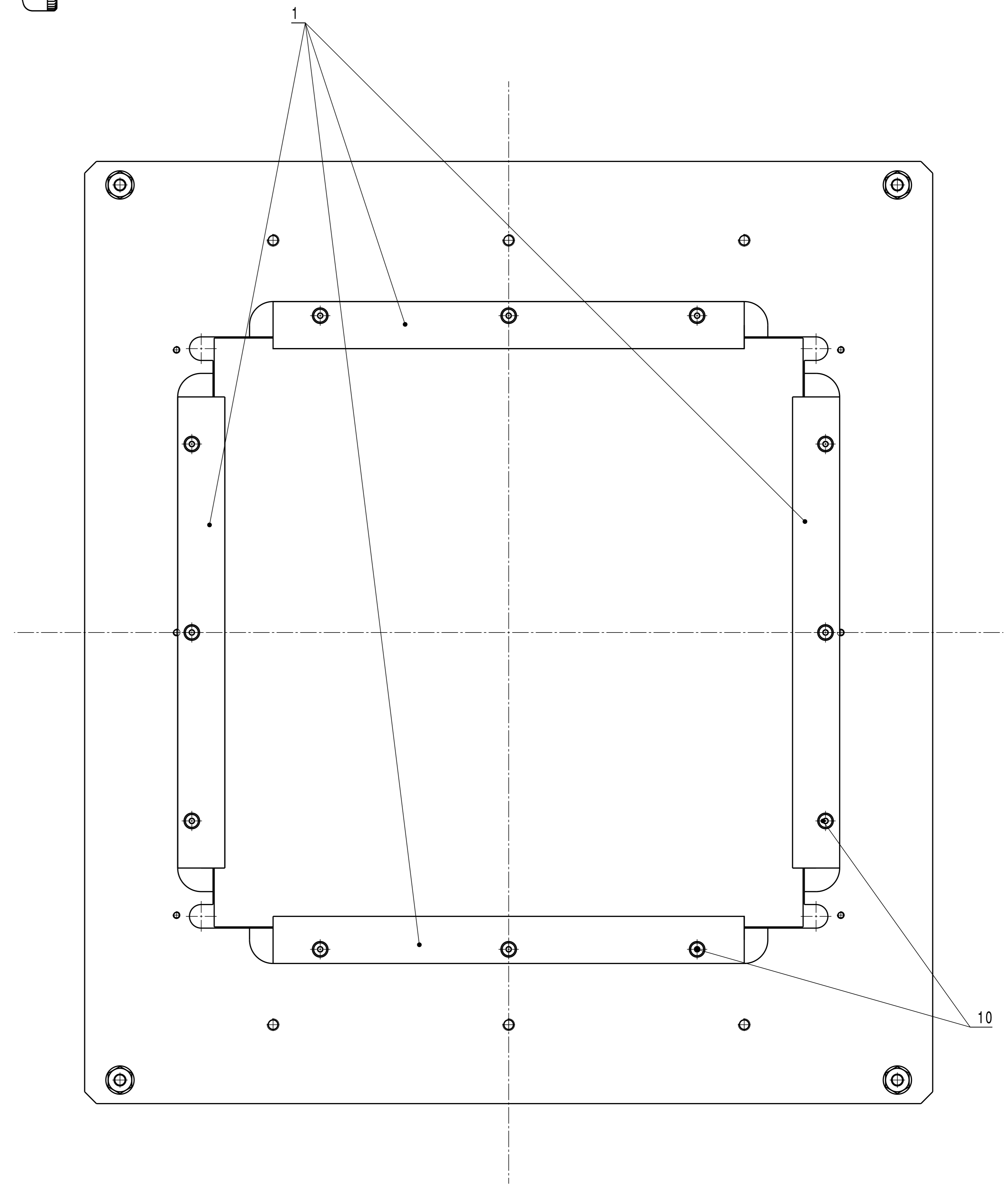
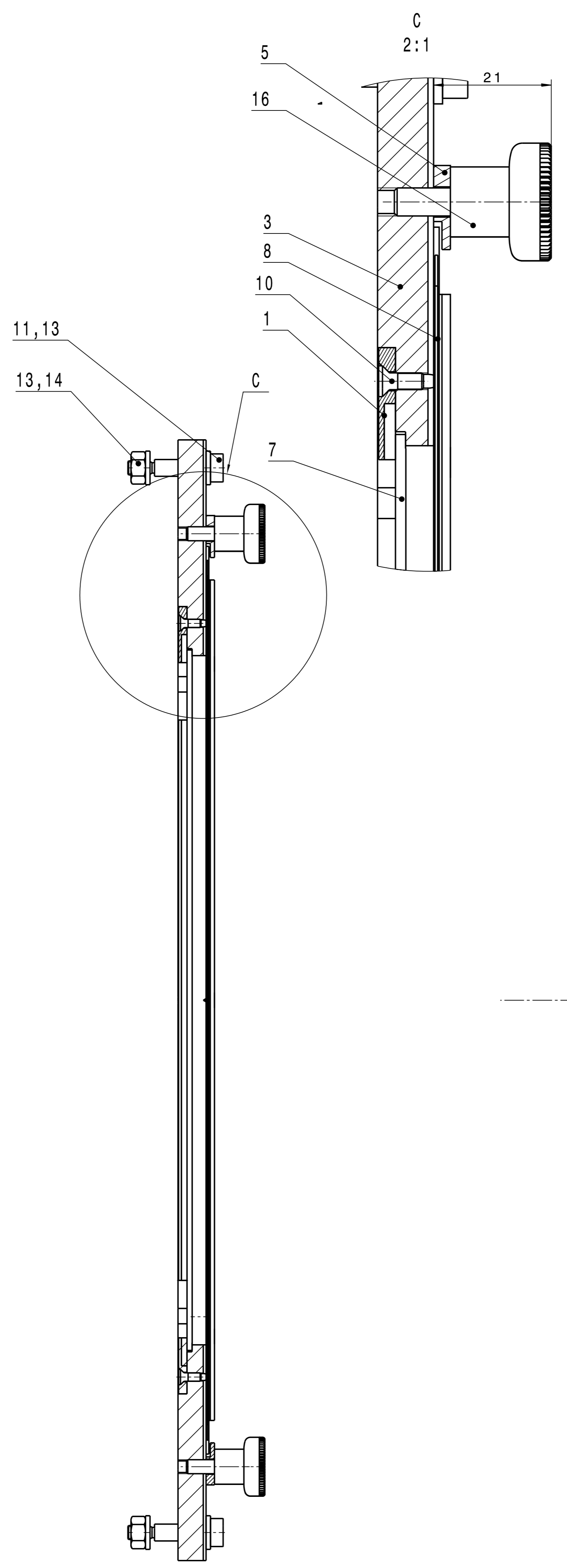
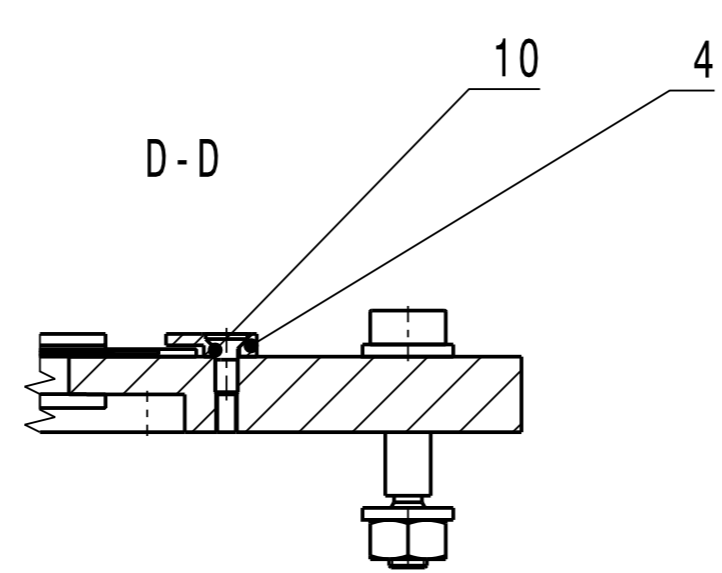
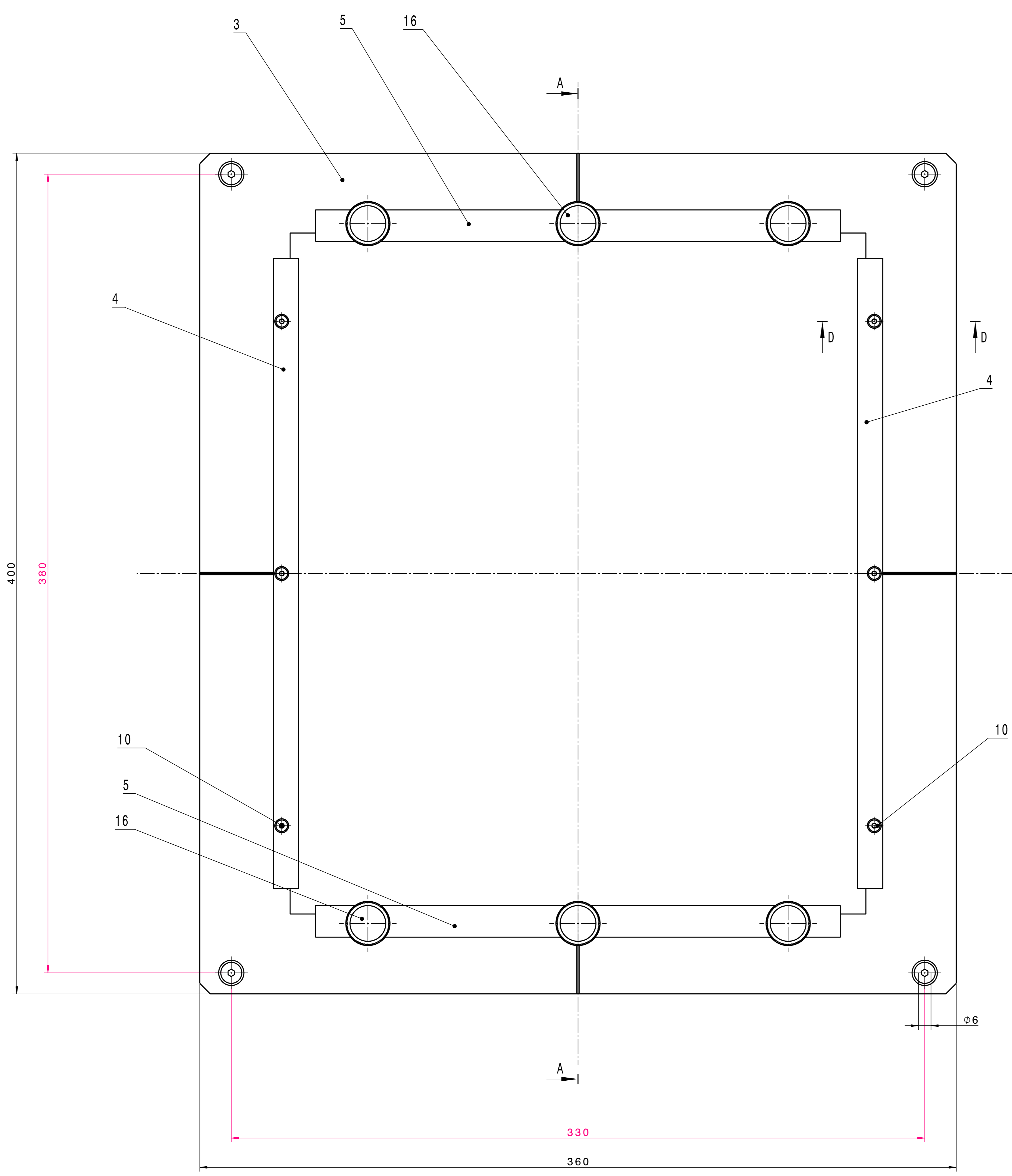
DESIGNED BY:	HIT-SD
DATE:	15.01.2016
Material:	0.0.370.15
Fa. Item	
SIZE	A4
SCALE	1:1
WEIGHT (kg)	0,15

HIT		I	-
		H	-
Profil 5 20x20 schwarz		G	-
		F	-
DRAWING NUMBER		E	-
		D	-
SHEET		C	-
		B	-
03.03.00.08		A	-
1/1			

This drawing is our property; it can't be reproduced or communicated without our written agreement.

D

A



DESIGNER BY: HIT-SD		DATE: 22.01.2016		HIT	
DRAWN BY: A0		CHECKED BY: 2,7		Szintillatorhalterung	
SCALE: 1:1		PART NUMBER: 03.02.00.00		SHEET: 1/1	
(2:1)					

Copying of this Document, and giving it to others and the use of communication of the contents thereof, are forbidden without express authority. Offenders are liable to the payment of damages. All rights are reserved in the event of the grant of a patent or the registration of a utility model or design.			Rev. No.		Rev.-Doc.-No.	Date	Name		
			-						
HIT			Date	Name	Szintillatorhalterung				
			Drawn	22.01.2016				HIT-SD	
			Checked						
			Approved			Drawing No.	03.02.00.00	Rev.	-
						Prev. Dwg.		Repl. for	
Item	Qty.	Description	Drawing No.	Dimensions (finished part)	Standard / Source of supply	Material	Remark		
1	4	Klemmleiste	03.02.01.000						
2									
3	1	Halierungsplatte	03.02.00.01	360x400x10		AlMg4,5Mn0,7	mit vorgefräster Oberfläche		
4	2	seitliche Klemmleiste Film	03.02.00.02	12x3x300		AlMg3			
5	2	untere obere Klemmleiste Film	03.02.00.03	15x3x250		AlMg3			
6									
7	1	Leuchtschirm							
8	1	Filmtasche							
9									
10	18	Senkschraube		M3x8	ISO 10642	A2			
11	4	Passschraube		Ø6 M5x20	ISO 7379	A2			
12									
13	8	Scheibe		Ø6,4	ISO 7089	A2			
14	4	Mutter		M6	ISO 4032	A2			
15									
16	6	Elesa Rändelschraube		M5x10	Fa. Ganther		G676-21-M5-10-SG		

H G F E D C B A

4

4

3

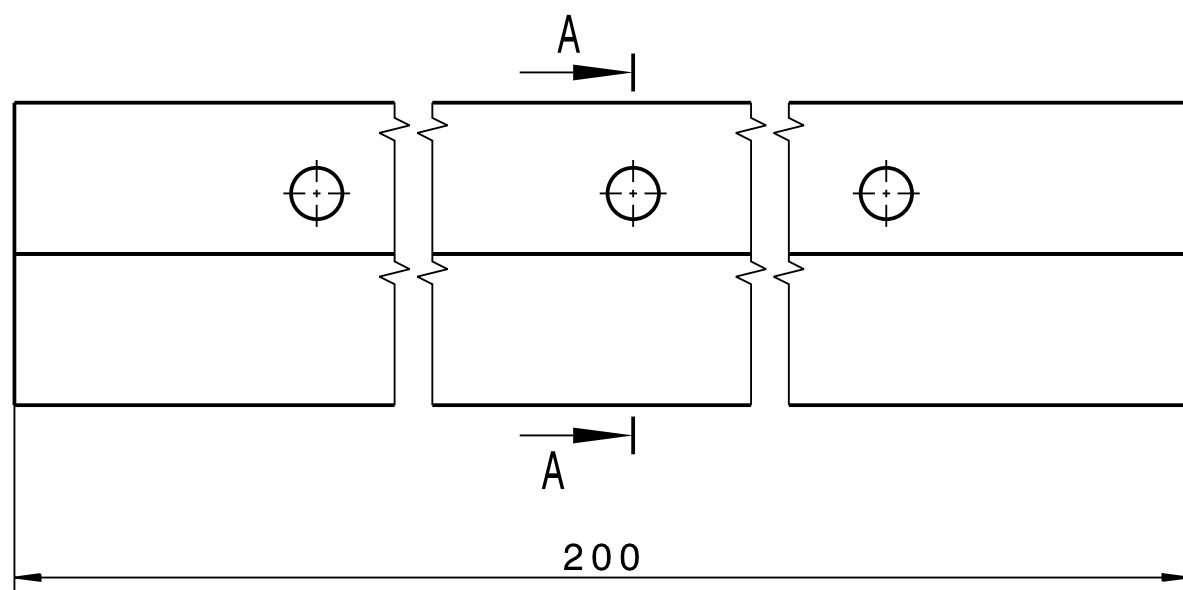
3

2

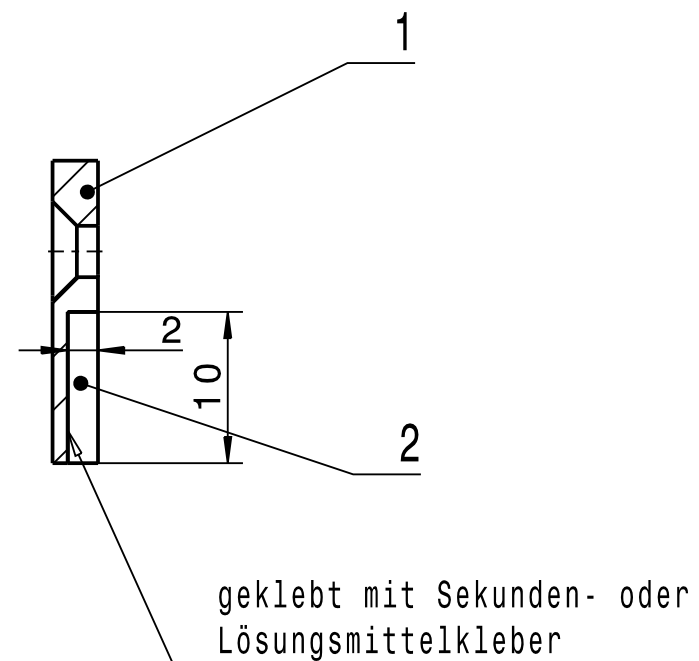
2

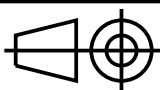
1

1



A-A

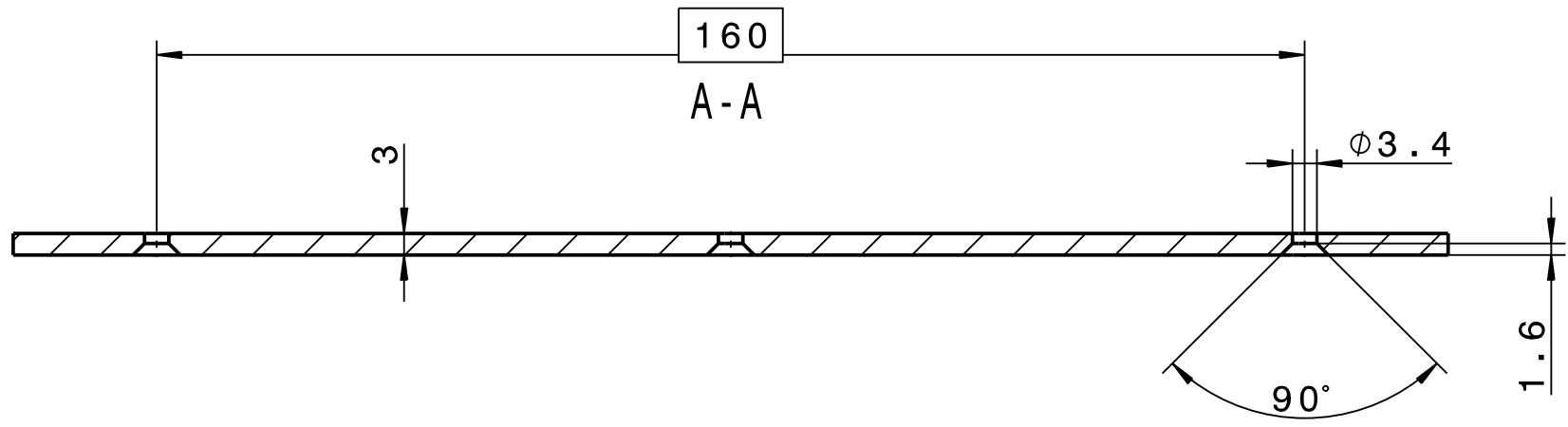
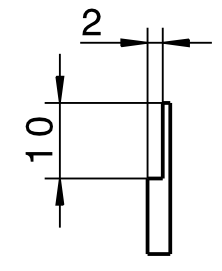
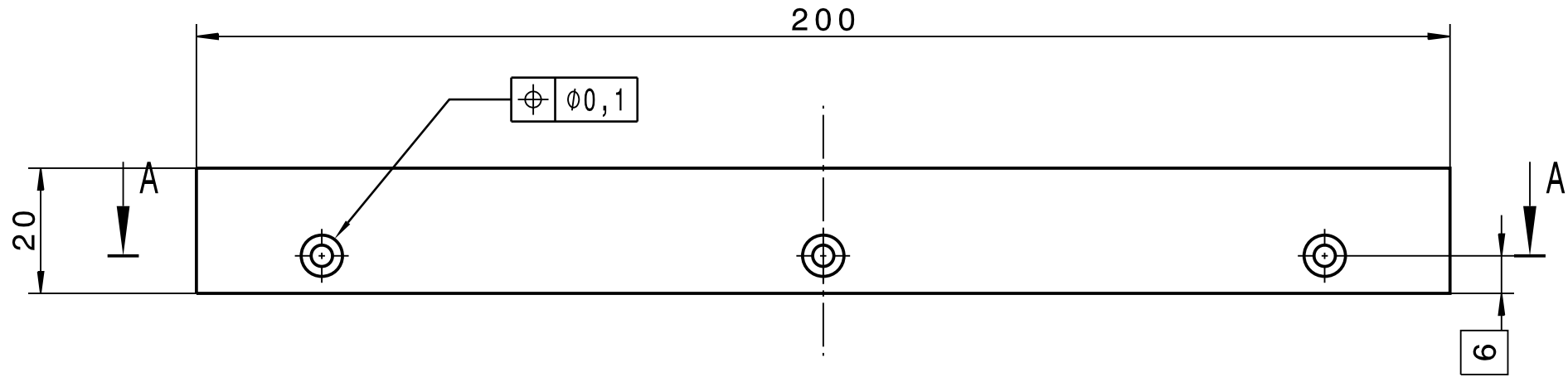


DESIGNED BY: HIT-SD		HIT		I	-
DATE: 22.01.2016				H	-
Material:		Klemmleiste		G	-
SIZE A3				E	-
SCALE 2:1	WEIGHT (kg) 0,03			D	-
DRAWING NUMBER 03.02.01.00				C	-
		SHEET 1/1		B	-
This drawing is our property; it can't be reproduced or communicated without our written agreement.				A	-

H G B A

Copying of this Document, and giving it to others and the use of communication of the contents thereof, are forbidden without express authority. Offenders are liable to the payment of damages. All rights are reserved in the event of the grant of a patent or the registration of a utility model or design.					Rev. No.	Rev.-Doc.-No.	Date	Name	
					-				
HIT			Date	Name	Description Klemmleiste				
			Drawn	22.01.2016					HIT-SD
			Checked						
			Approved			Drawing No.	03.02.01.00	Rev.	-
						Prev. Dwg.		Repl. for	
Item	Qty.	Description	Drawing No.	Dimensions (finished part)	Standard / Source of supply	Material	Remark		
1	1	Klemmleiste	03.02.01.01	20x3x200		AlMg3	schwarz eloxiert		
2	1	Moosgummi		2x10x200	gummi-plast GmbH & Co. KG Otto-Hahn-Straße 12 64579 Gernsheim	Moosgummi schwarz			
3									
4									
5									
6									
7									
8									
9									
10									
11									
12									
13									
14									
15									
16									

H G F E D C B A



Kanten ISO 13715 $\begin{matrix} +0.3 \\ -0.1 \end{matrix}$ $\begin{matrix} -0.3 \\ -0.1 \end{matrix}$ schwarz eloxiert $\sqrt{\text{Rz 25}}$

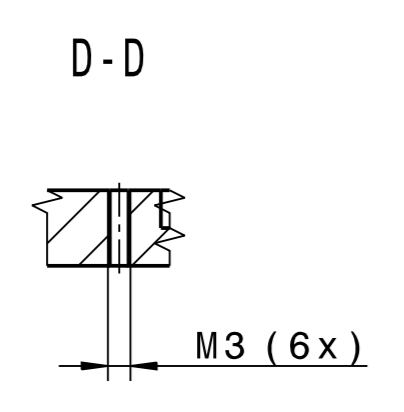
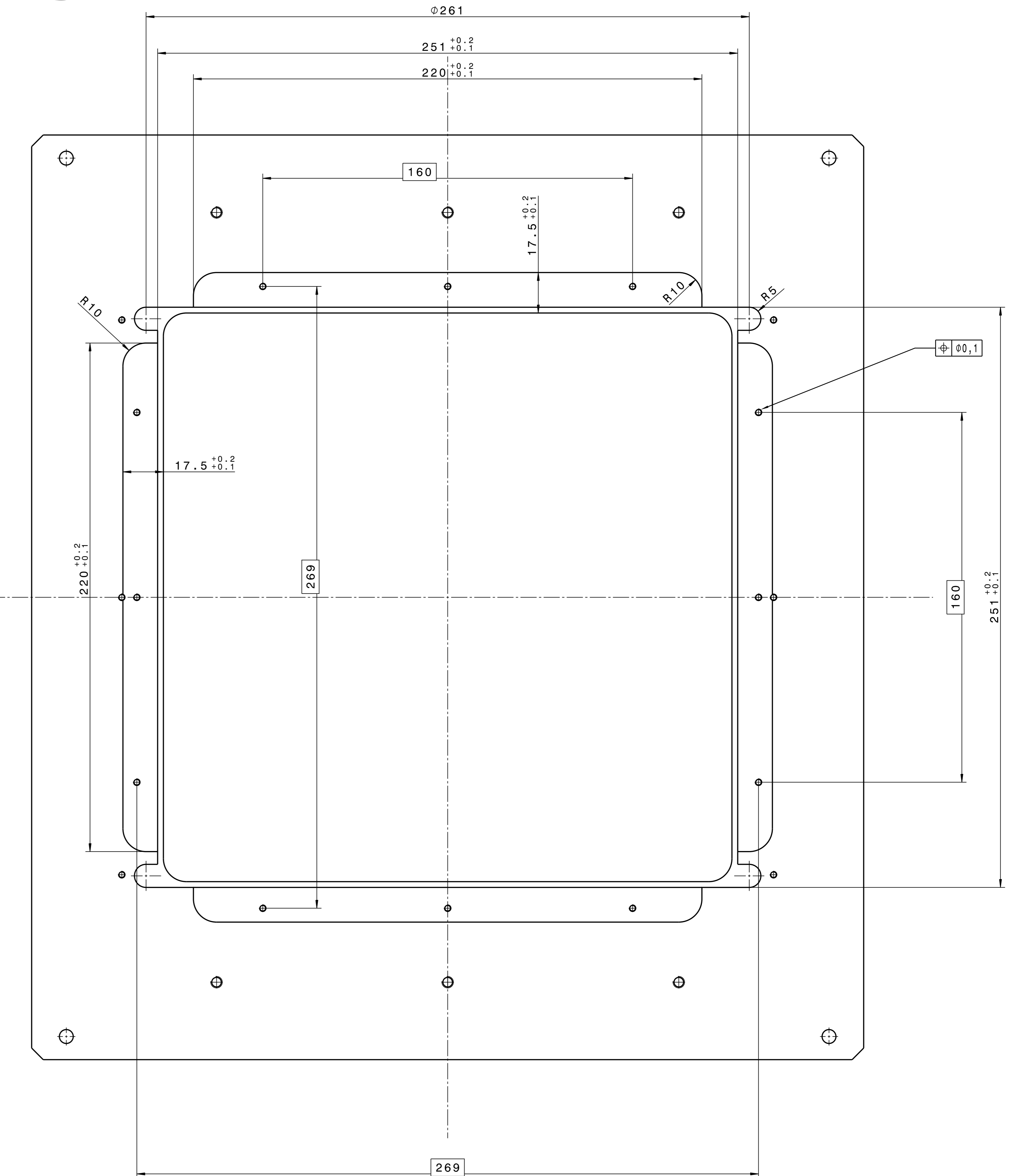
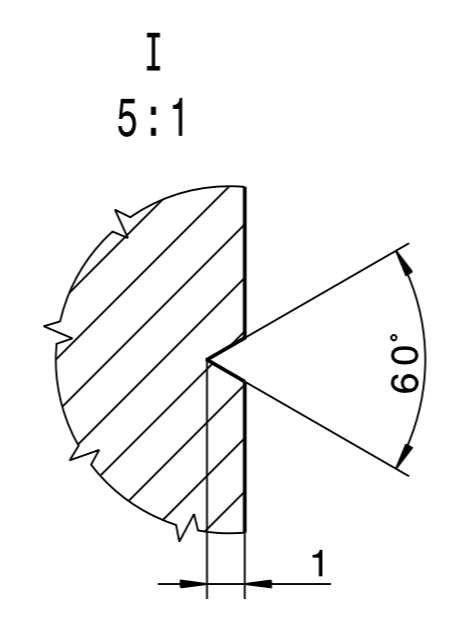
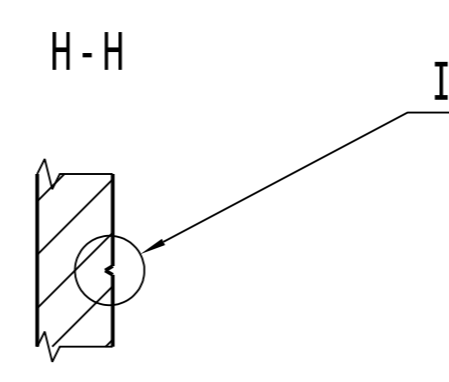
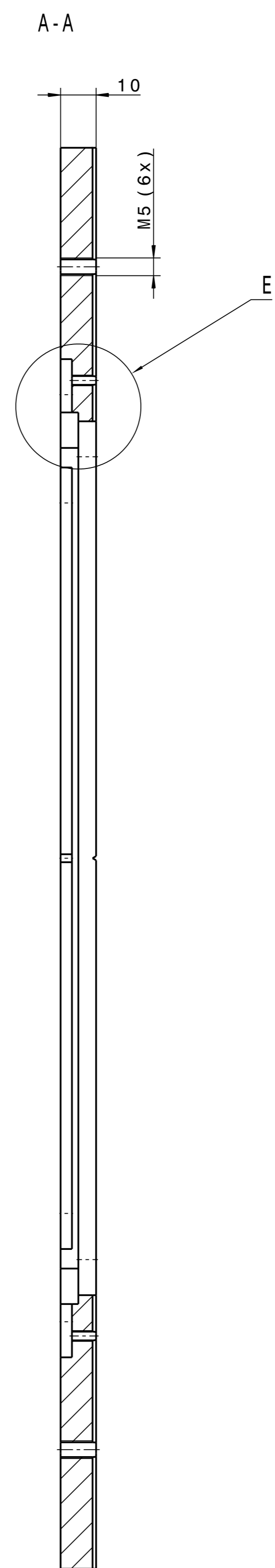
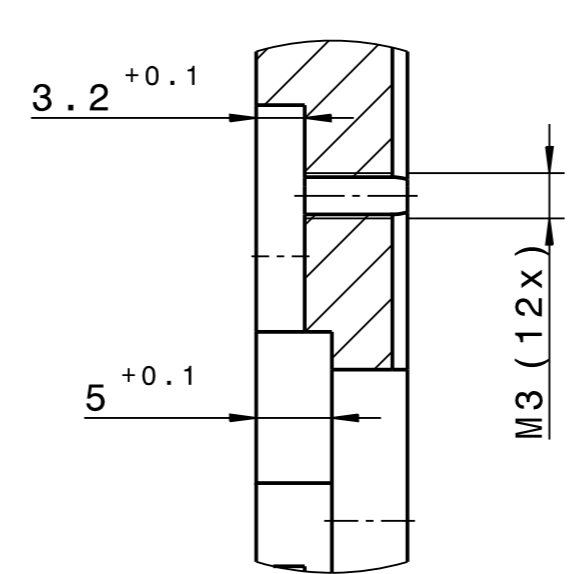
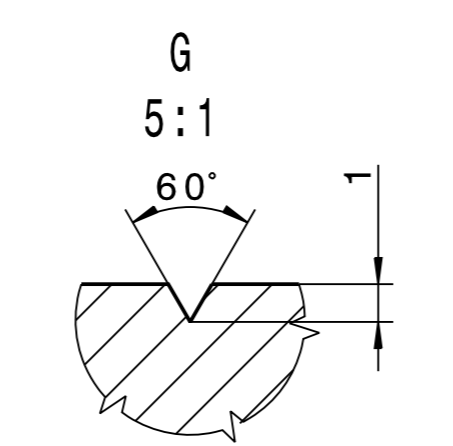
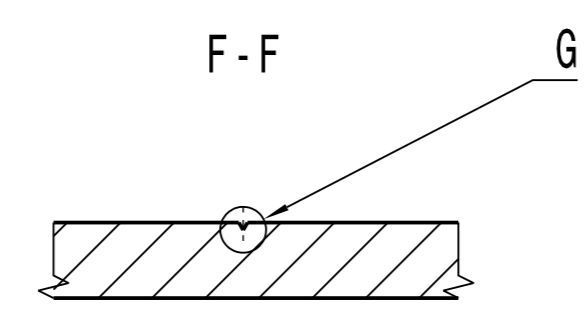
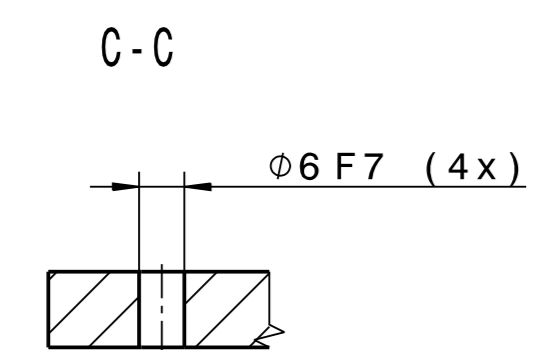
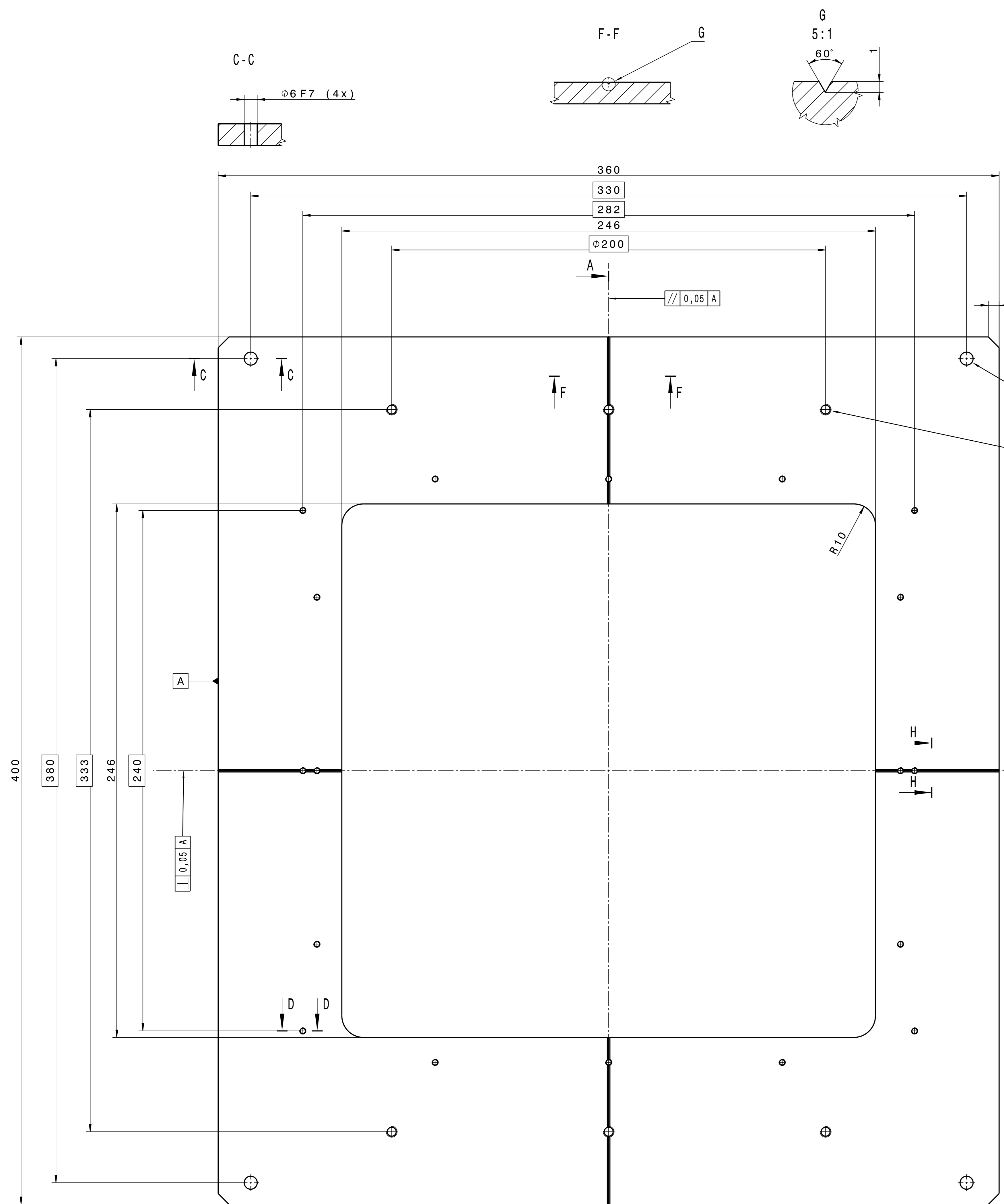
DESIGNED BY: HIT-SD		HIT		I	-
DATE: 22.01.2016				H	-
Material: AlMg3				G	-
SIZE A3		Klemmleiste		F	-
SCALE 1:1				E	-
WEIGHT (kg) 0,02	DRAWING NUMBER 03.02.01.01	D	-	C	-
		B	-	B	-
		A	-	A	-
		SHEET 1/1			

This drawing is our property; it can't be reproduced or communicated without our written agreement.

H G B A

4
3
2
1

4
3
2
1



Kanten ISO 13715 $\sqrt{Rz 25}$ $\sqrt{Rz 6,3}$ schwarz eloxiert $\sqrt{Rz 25}$ $\sqrt{Rz 6,3}$

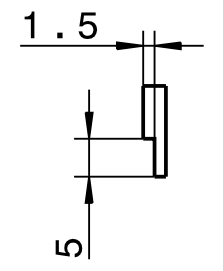
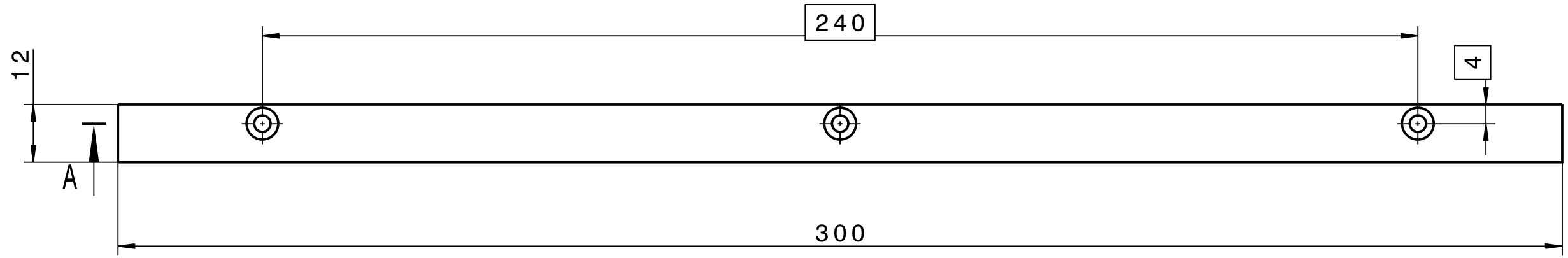
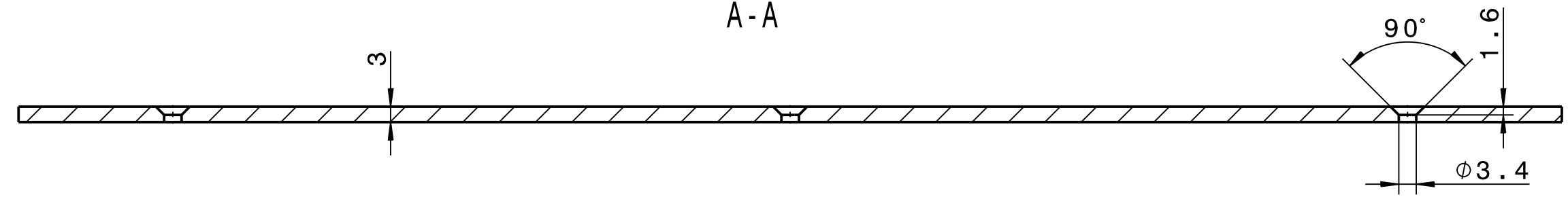
PROJEKT NR:	HIT-SD	DATE:	22.01.2016	VERSION:	1
MATERIAL:	AlMg4,5Mn0,7 mit vorgerollter Oberfläche	ZEICHNUNG:	HIT	BRUCH:	-
ART:	A0	STÜCKLISTEN-NUMMER:	Halterungsplatte	BRUCH:	-
STÜCKLISTEN-NUMMER:	2,1	BRUCH:	03.02.00.01	BRUCH:	1/1

H G F E D C B A

4

4

A-A



Kanten ISO 13715 $\begin{matrix} +0.3 \\ -0.1 \end{matrix}$ schwarz eloxiert $\sqrt{Rz\ 25}$

DESIGNED BY: HIT-SD		HIT		I	-
DATE: 22.01.2016				H	-
Material: AlMg3				G	-
SIZE A3		Seitliche Klemmleiste Film		E	-
SCALE 1:1	WEIGHT (kg) 0.01	DRAWING NUMBER 03.02.00.02		D	-
		SHEET 1/1		C	-
				B	-
				A	-

This drawing is our property; it can't be reproduced or communicated without our written agreement.

H G B A

2

2

1

1

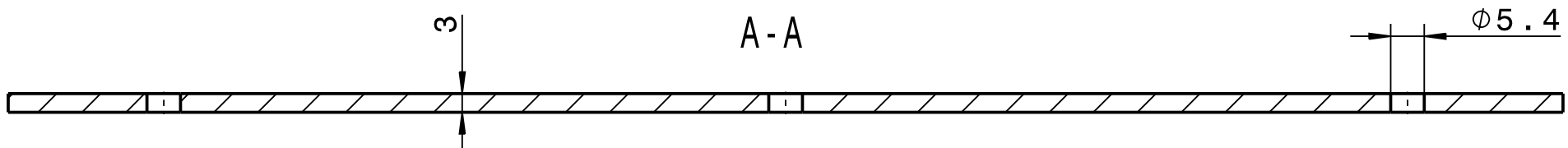
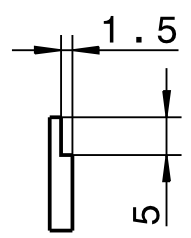
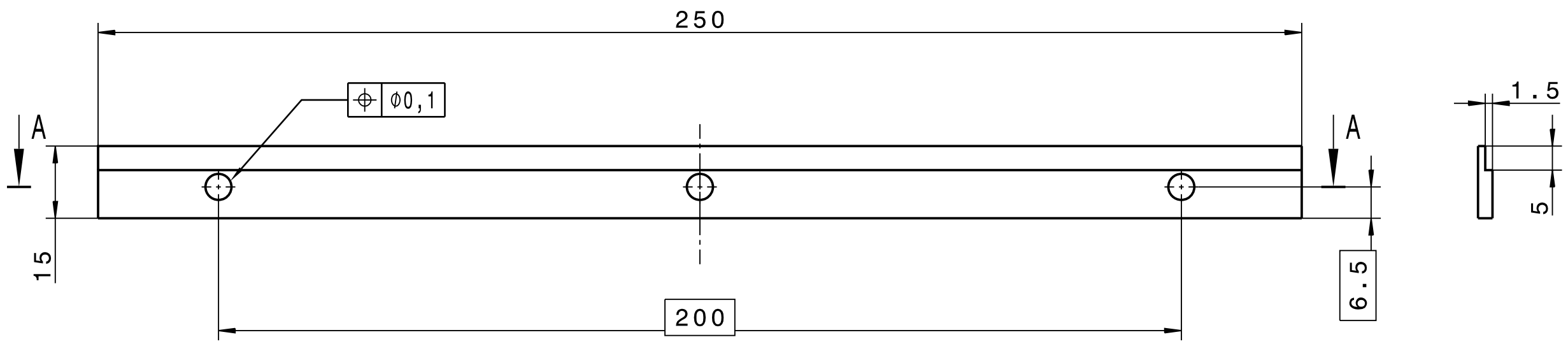
3

3

H G F E D C B A

4

4



3

3

2

2

Kanten ISO 13715 $\begin{matrix} +0.3 \\ -0.1 \end{matrix}$ schwarz eloxiert $\sqrt{Rz 25}$

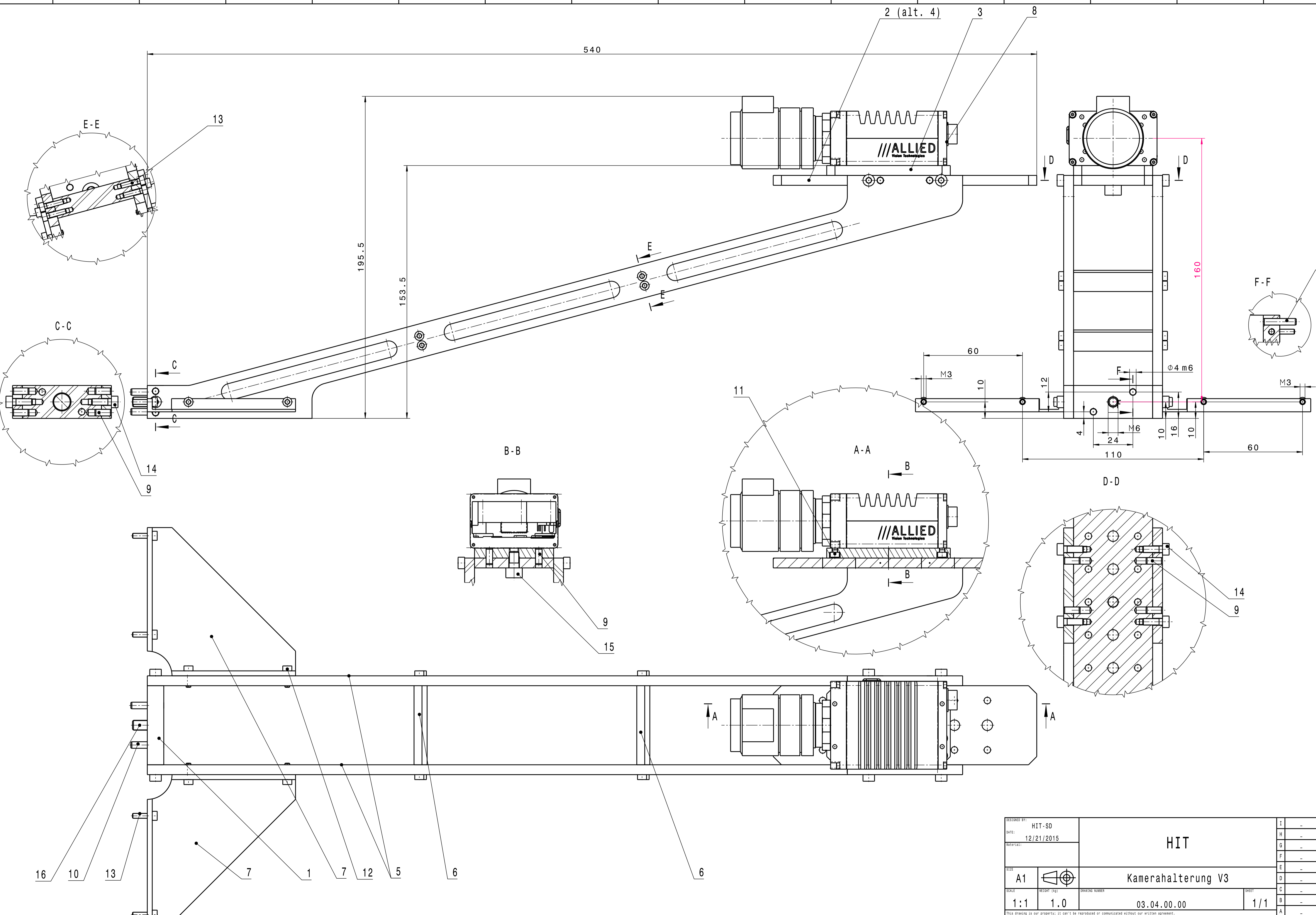
DESIGNED BY: HIT-SD		HIT		I	-
DATE: 22.01.2016				H	-
Material: AlMg3				G	-
SIZE A3		Untere obere Klemmleiste Film		E	-
SCALE 1:1	WEIGHT (kg) 0.01	DRAWING NUMBER 03.02.00.03		D	-
		SHEET 1/1		C	-
				B	-
				A	-

This drawing is our property; it can't be reproduced or communicated without our written agreement.

H G B A

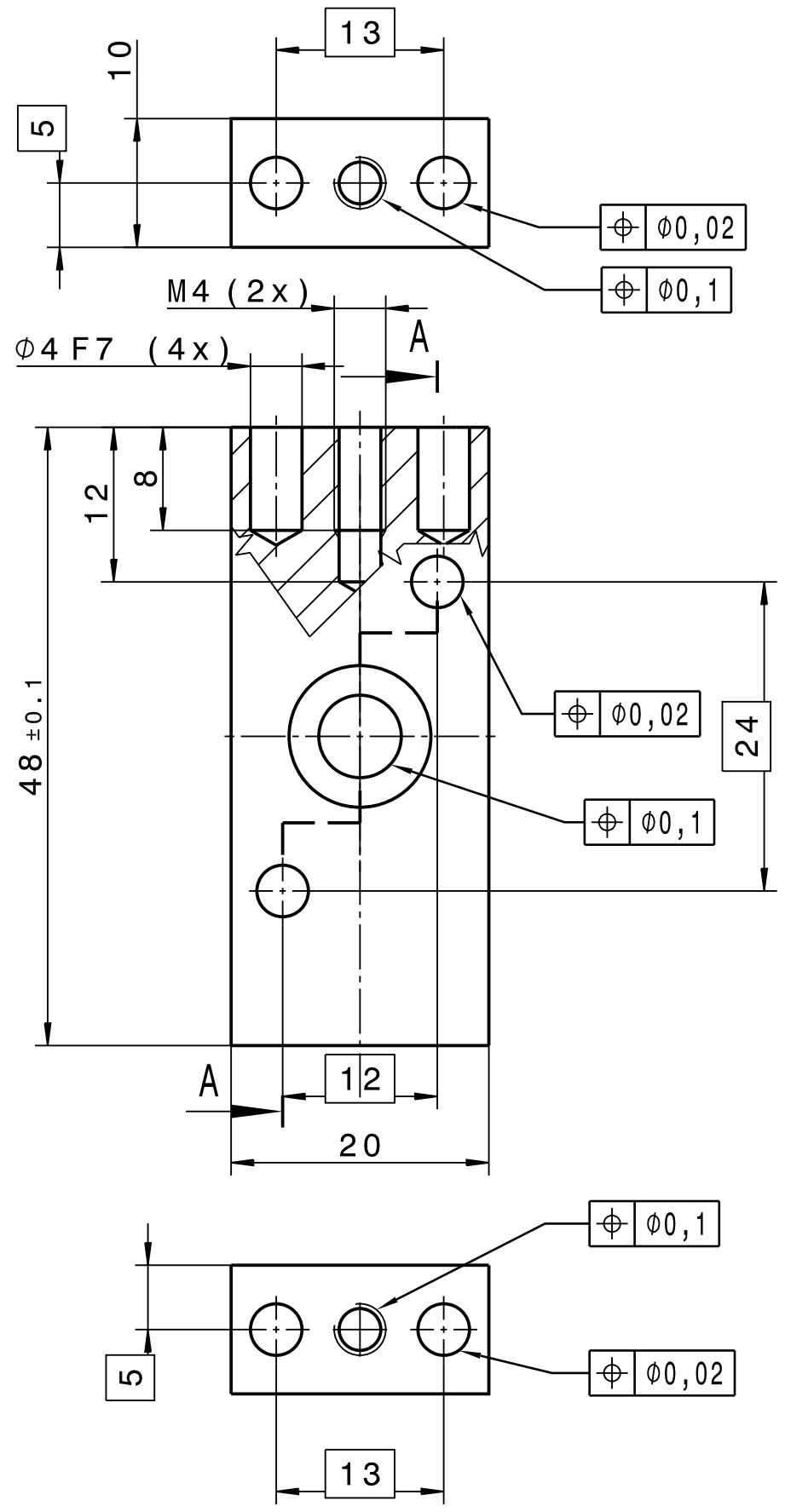
1

1

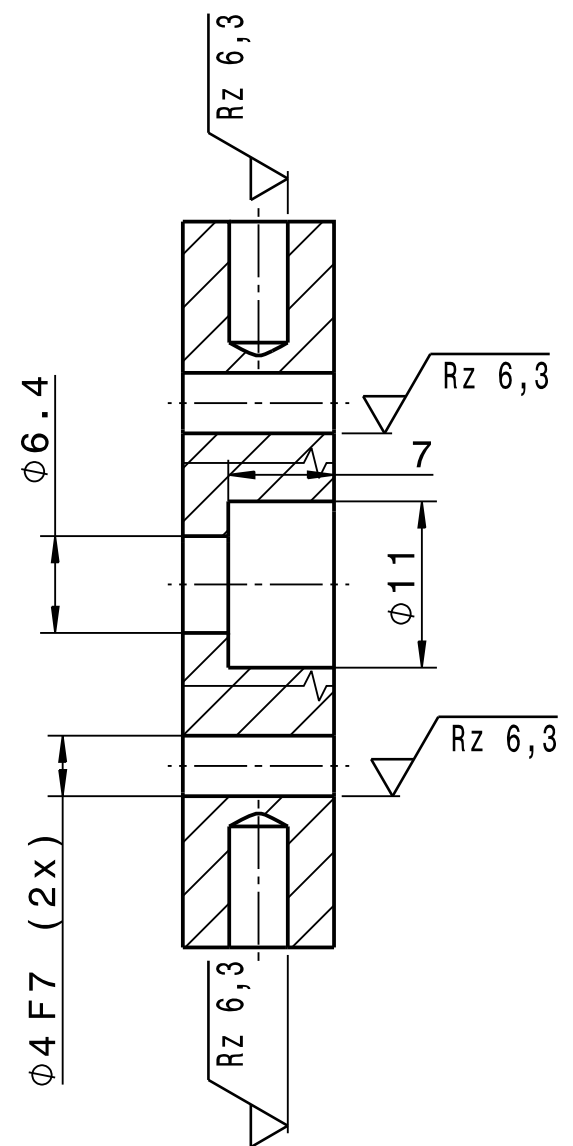


DESIGNED BY:	HIT-SD	HIT	I	-
DATE:	12/21/2015		H	-
MATERIAL:			G	-
SIZE:	A1	Kamerahalterung V3	F	-
SCALE:	1:1		E	-
REVISION:	1.0	03.04.00.00	D	-
DRAWING NUMBER:			C	-
THIS DRAWING IS OUR PROPERTY; IT CAN'T BE REPRODUCED OR COMMUNICATED WITHOUT OUR WRITTEN AGREEMENT.			B	-
			A	-

Copying of this Document, and giving it to others and the use of communication of the contents thereof, are forbidden without express authority. Offenders are liable to the payment of damages. All rights are reserved in the event of the grant of a patent or the registration of a utility model or design.			Rev. No.		Rev.-Doc.-No.	Date	Name	
HIT			Date	Name	Kamerahalterung V3			
			Drawn	21.12.2015				HIT-SD
			Checked					
			Approved			Drawing No.	03.04.00.00	Rev.
						Prev. Dwg.		Repl. for
Item	Qty.	Description	Drawing No.	Dimensions (finished part)	Standard / Source of supply	Material	Remark	
1	1	Platte 1	03.04.00.01			EN AW-5754 (AlMg3)		
2	1	Adapterplatte	03.04.00.02			EN AW-5083 (AlMg4,5Mn0,7)	Alternativ: Pos. 4	
3	1	Kameraplatte	03.04.00.03			EN AW-5083 (AlMg4,5Mn0,7)		
4	1	Adapterplatte 2	03.04.00.04			EN AW-5083 (AlMg4,5Mn0,7)	Alternativ: Pos. 2	
5	2	Seitenteil 1	03.04.00.05			EN AW-5083 (AlMg4,5Mn0,7)		
6	2	Strebe	03.04.00.06			EN AW-5754 (AlMg3)		
7	2	Winkel	03.04.00.07			EN AW-5754 (AlMg3)		
8	1	Kamera Prosilica mit Objektiv						
9	10	Zylinderstift		Ø4m6x10	ISO 2338	A2		
10	2	Zylinderstift		Ø4m6x20	ISO 2338	A2		
11	4	Zylinderschraube		M3x6	ISO 4762	A2		
12	4	Zylinderschraube		M3x10	ISO 4762	A2		
13	12	Zylinderschraube		M3x12	ISO 4762	A2		
14	6	Zylinderschraube		M4x12	ISO 4762	A2		
15	3	Zylinderschraube		M6x10	ISO 4762	A2	1x für Pos. 2 2x für Pos. 4	
16	1	Zylinderschraube		M6x12	ISO 4762	A2		



A-A



Kanten ISO 13715 $\begin{matrix} +0.3 \\ -0.3 \end{matrix}$ $\begin{matrix} -0.3 \\ -0.1 \end{matrix}$

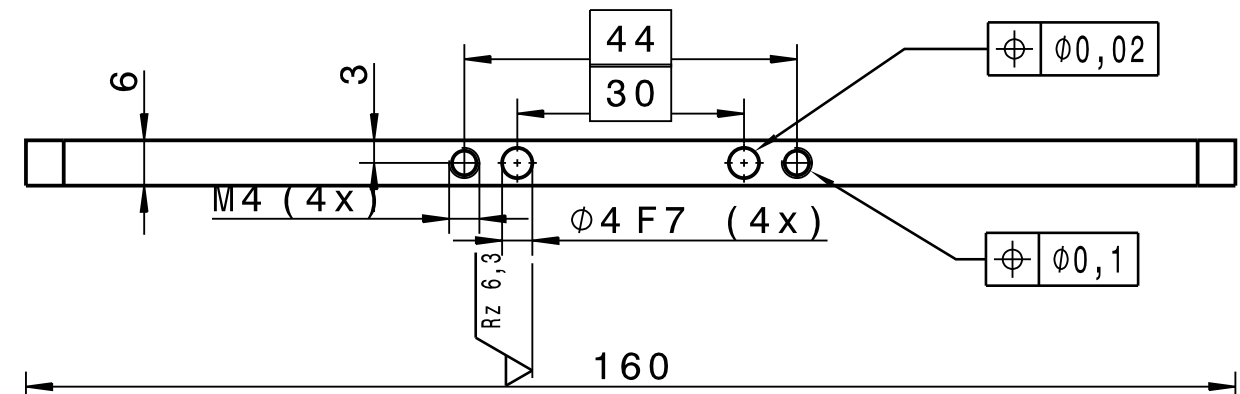
$\sqrt{Rz 25}$ ($\sqrt{Rz 6,3}$)

DESIGNED BY: HIT-SD	HIT		I	-
DATE: 12/17/2015			H	-
Material: ALMg4,5Mn0,7			G	-
vorgefräste Oberfläche	Platte 1		F	-
SIZE: A3			E	-
SCALE: 2:1	WEIGHT (kg): 0.02	DRAWING NUMBER: 03.04.00.01	D	-
		SHEET: 1/1	C	-
This drawing is our property; it can't be reproduced or communicated without our written agreement.			B	-
			A	-

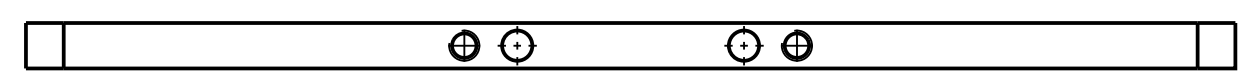
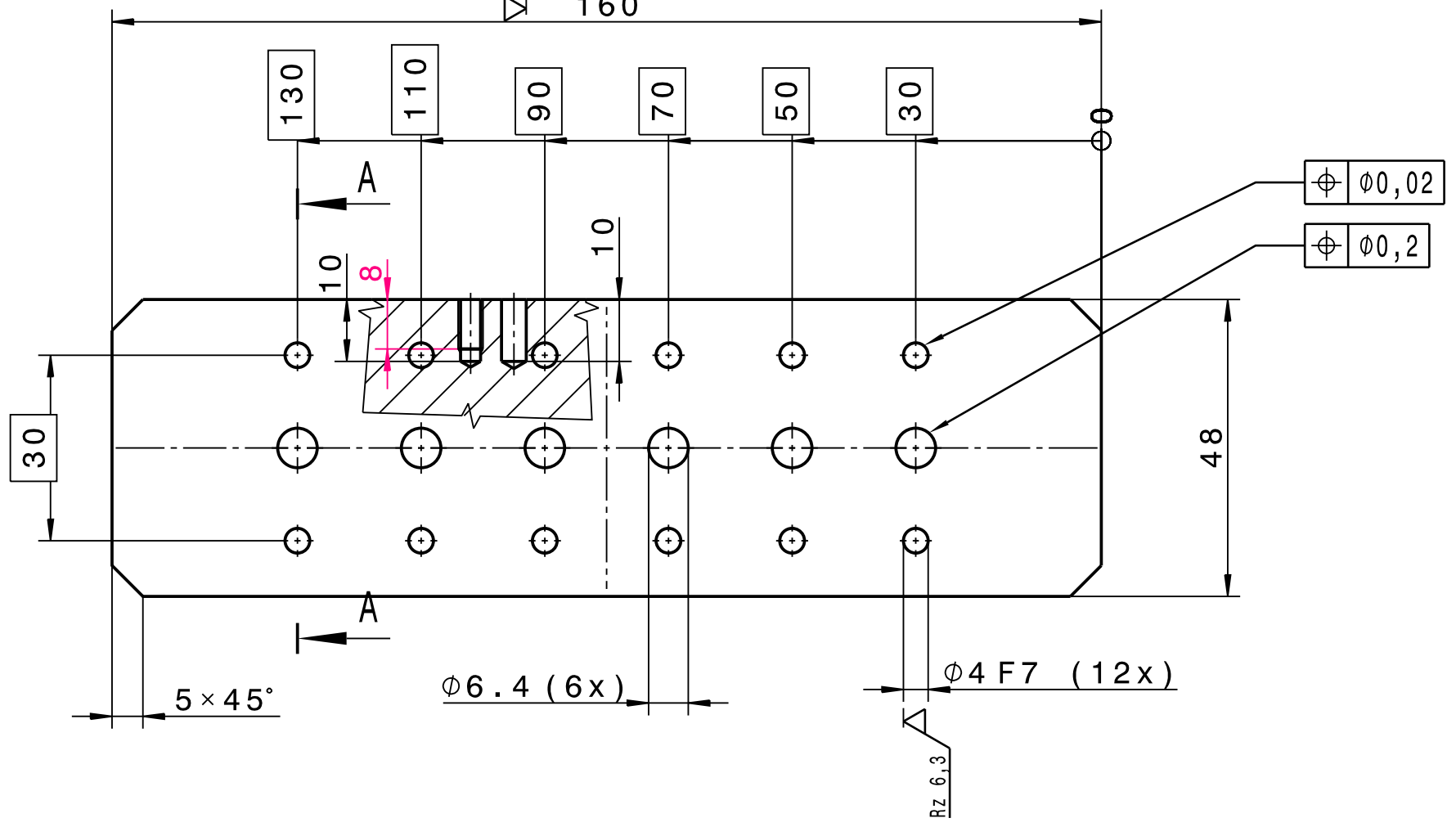
H G F E D C B A

4

4



A-A



schwarz eloxiert
 Kanten ISO 13715 $\begin{matrix} +0.3 \\ -0.3 \end{matrix}$ $\begin{matrix} -0.3 \\ -0.1 \end{matrix}$ $\sqrt{Rz 25}$ ($\sqrt{Rz 6,3}$)

2

2

1

1

DESIGNED BY: HIT-SD	HIT		I	-
DATE: 12/17/2015			H	-
MATERIAL: AlMg4,5Mn0,7 vorgefräste Oberfläche	Adapterplatte		G	-
SIZE: A3			E	-
SCALE: 1:1	WEIGHT (kg): 0.12	DRAWING NUMBER: 03.04.00.02	C	-
		SHEET: 1/1	B	-
This drawing is our property; it can't be reproduced or communicated without our written agreement.			A	-

H G F E D C B A

H G F E D C B A

4

3

2

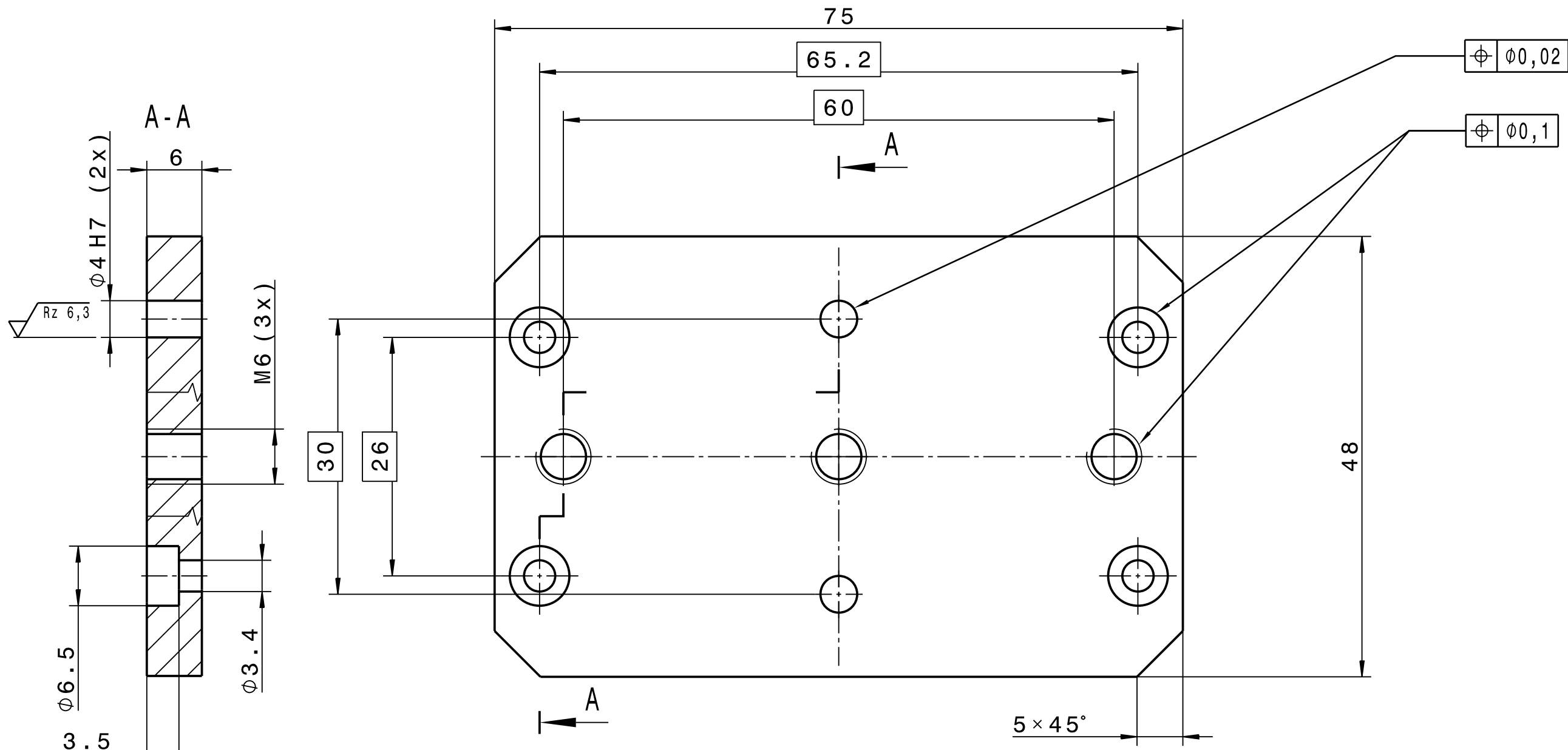
1

4

3

2

1



⌀ 0,02

⌀ 0,1

schwarz eloxiert

Kanten ISO 13715 $\begin{matrix} +0.3 \\ -0.1 \end{matrix}$

$\sqrt{Rz 25}$ ($\sqrt{Rz 6,3}$)

DESIGNED BY: HIT-SD	HIT			I	-
DATE: 12/17/2015				H	-
Material AlMg4,5Mn0,7	Kameraplatte			G	-
vorgefräste Oberfläche				F	-
SIZE A3				E	-
SCALE 2:1				D	-
WEIGHT (kg) 0.05	DRAWING NUMBER 03.04.00.03	SHEET 1/1	C	-	
<small>This drawing is our property; it can't be reproduced or communicated without our written agreement.</small>			B	-	
			A	-	

H G F E D C B A

H G F E D C B A

4

3

2

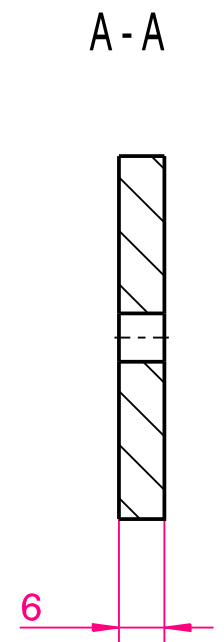
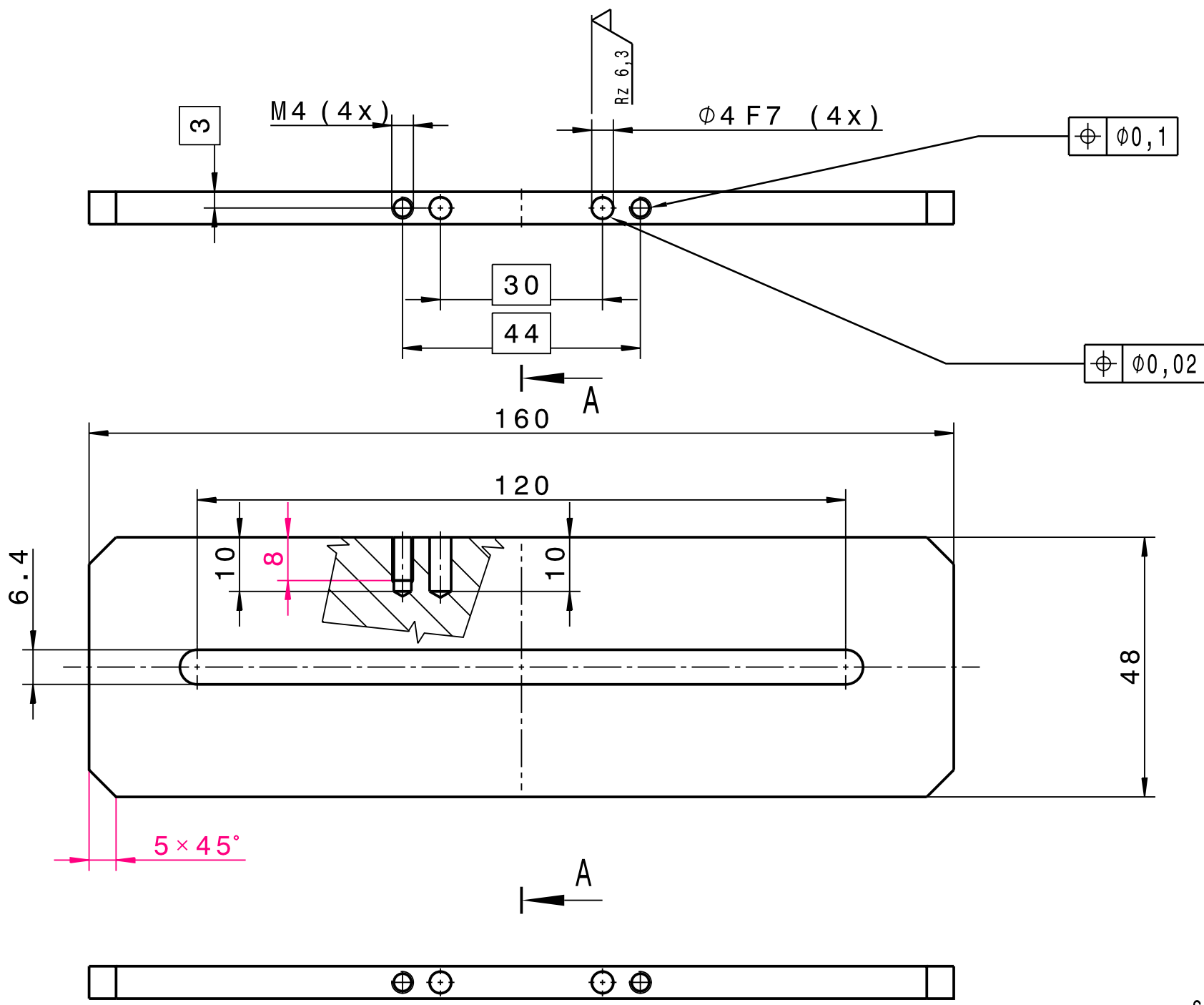
1

4

3

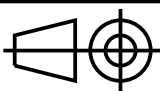
2

1

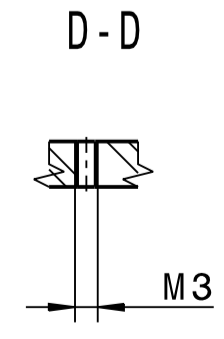
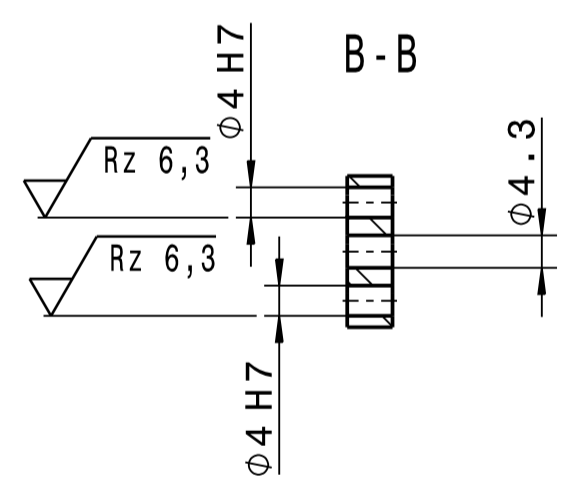
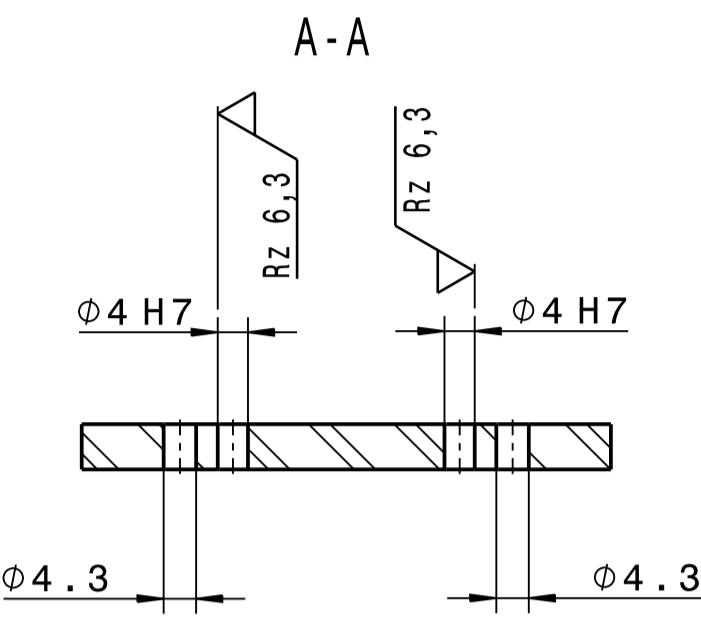
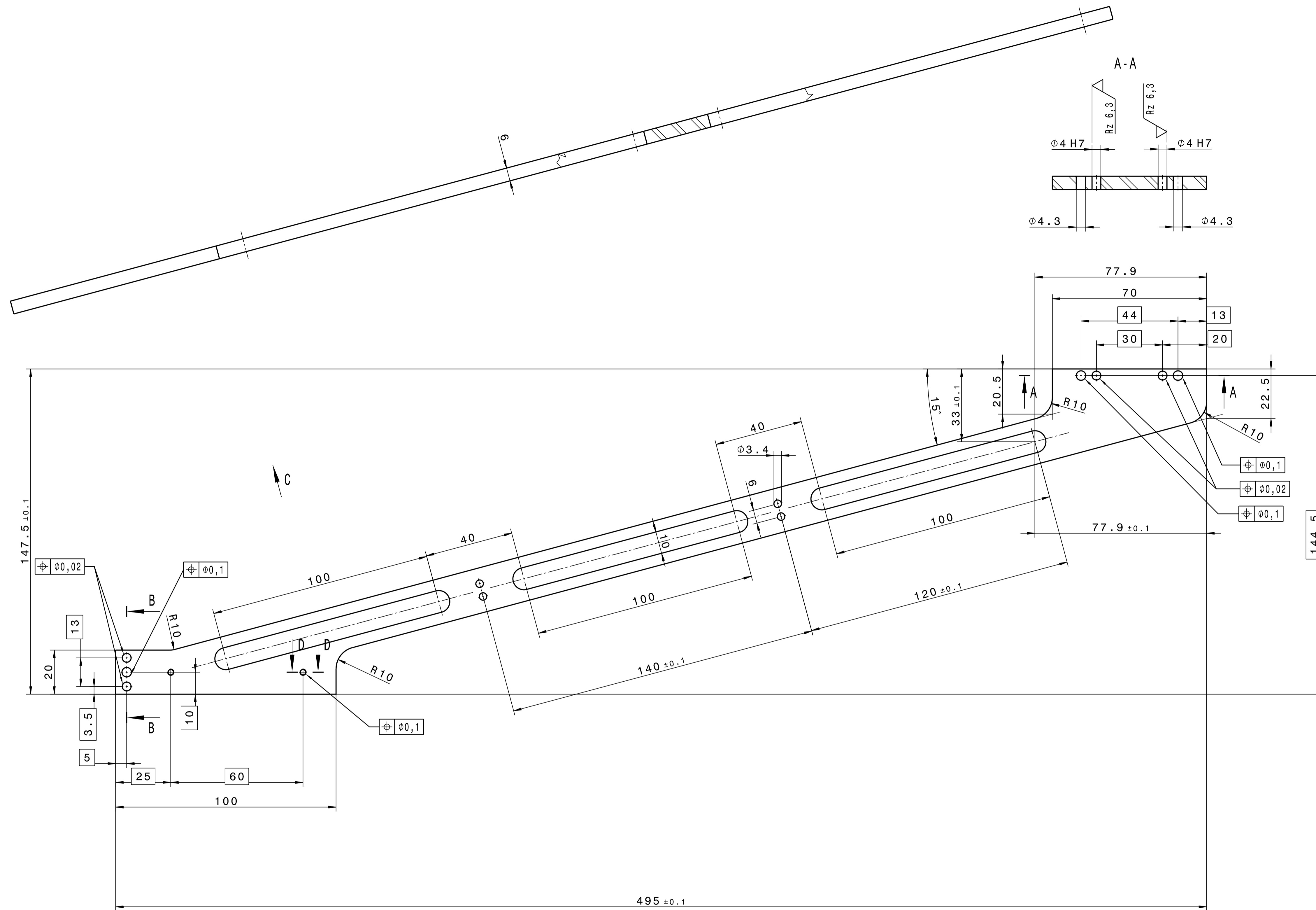


Kanten ISO 13715 $\begin{matrix} +0.3 \\ -0.1 \end{matrix}$ $\begin{matrix} -0.3 \\ -0.1 \end{matrix}$

schwarz eloxiert $\sqrt{Rz 25}$ ($\sqrt{Rz 6,3}$)

DESIGNED BY: HIT-SD	HIT		I	-
DATE: 12/17/2015			H	-
Material: AlMg4,5Mn0,7			G	-
vorgefräste Oberfläche	Adapterplatte 2		F	-
SIZE A3 			E	-
SCALE 1:1	WEIGHT (kg) 0.11	DRAWING NUMBER 03.04.00.04	D	-
		SHEET 1/1	C	-
This drawing is our property; it can't be reproduced or communicated without our written agreement.			B	-
			A	-

H G B A



DESIGNED BY: HIT-SD		DATE: 12/17/2015		MATERIAL: AlMg4,5Mn0,7		vorgefräste Oberfläche	
SCALE: 1:1		RECHT (TYP): 0.14		DRAWING NUMBER: 03.04.00.05		SHEET: 1/1	
Kanten ISO 13715		schwarz eloxiert		Rz 25		Rz 6.3	
TOLERANCES		+0.3		-0.1		-0.3	
DRAWING NUMBER: 03.04.00.05		SHEET: 1/1		HIT		Seitemnteil 1	
I	-	H	-	G	-	F	-
E	-	D	-	C	-	B	-
A	-						

D

C

B

A

4

4

3

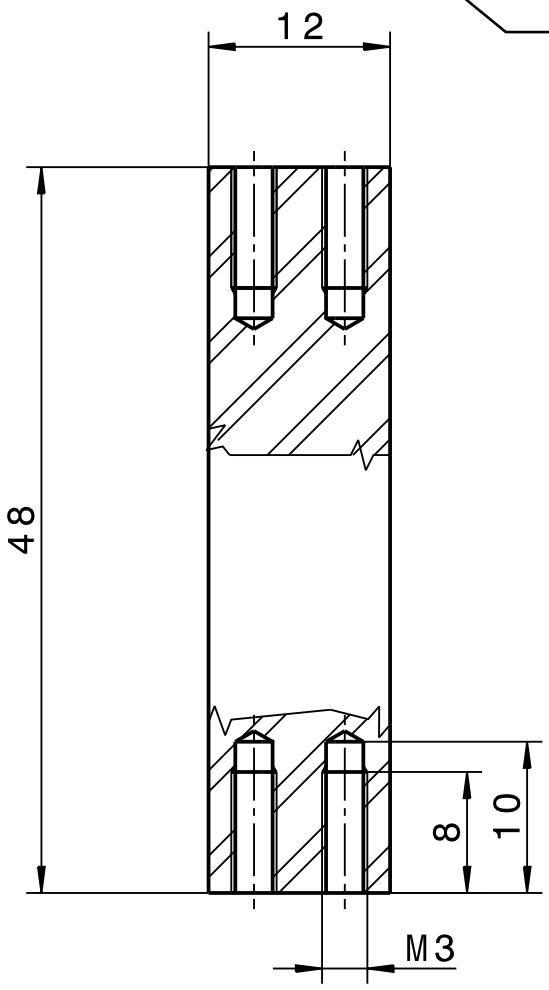
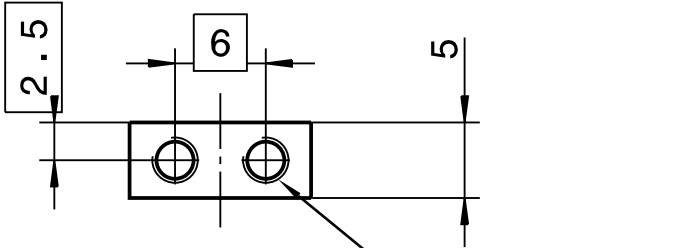
3

2

2

1

1



Kanten
ISO 13715

+0.3

-0.3
-0.1

Rz 25

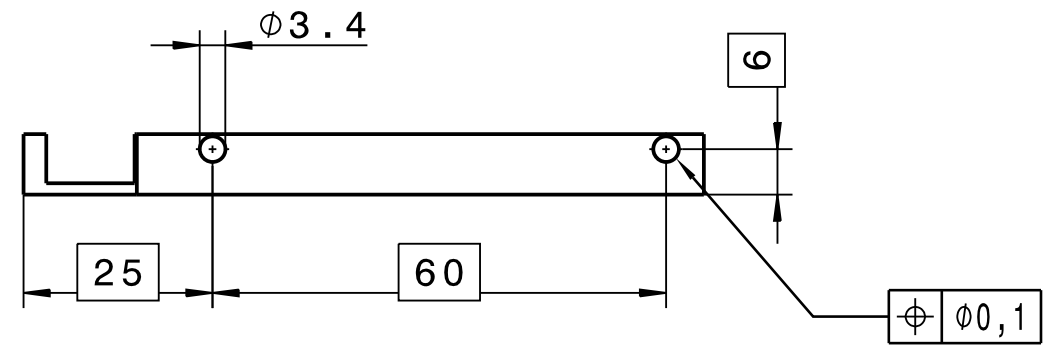
DESIGNED BY: HIT-SD		HIT		I	-
DATE: 12/21/2015				H	-
Material: AlMg3				G	-
SIZE A4		Strebe		F	-
SCALE 2:1				E	-
WEIGHT (kg) 0.01	DRAWING NUMBER 03.04.00.06	D	-	D	-
SHEET 1/1		C	-	C	-
This drawing is our property; it can't be reproduced or communicated without our written agreement.		B	-	B	-
		A	-	A	-

D

A

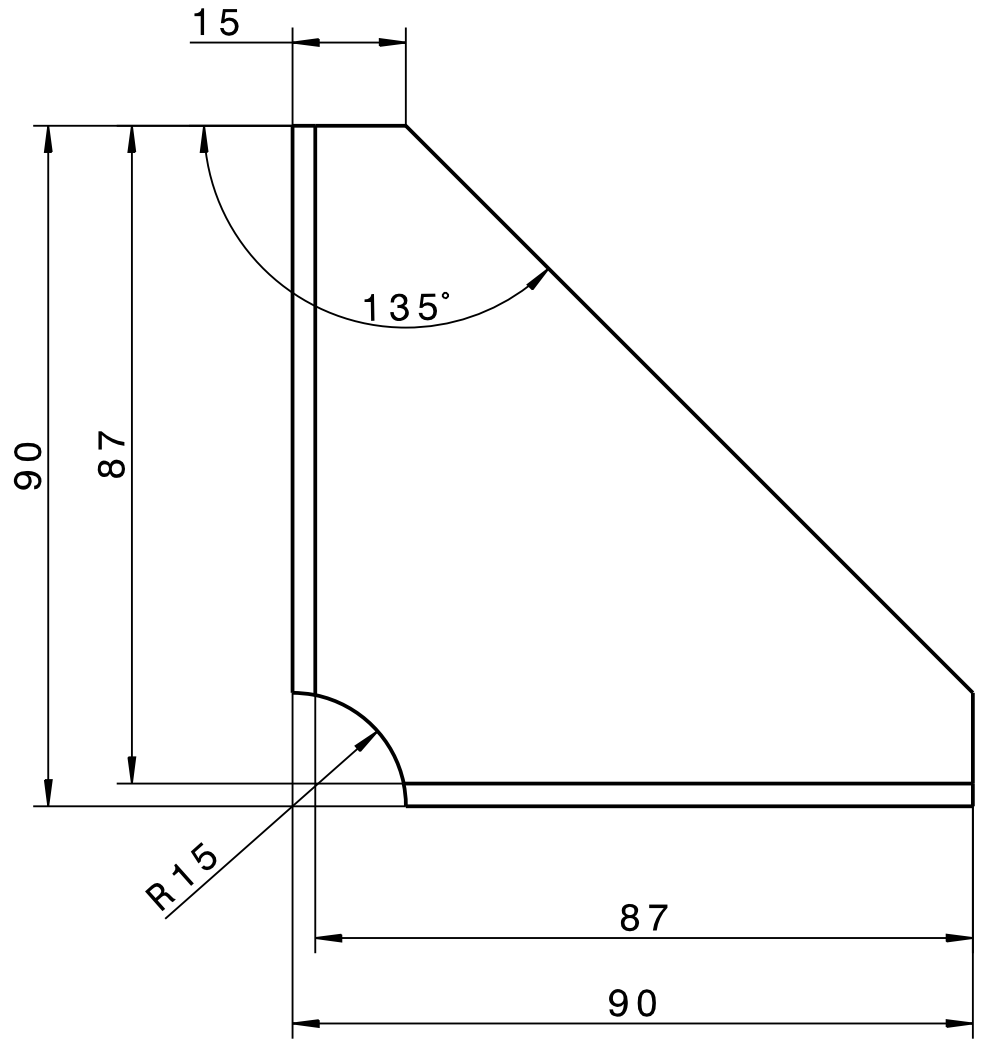
H G F E D C B A

4

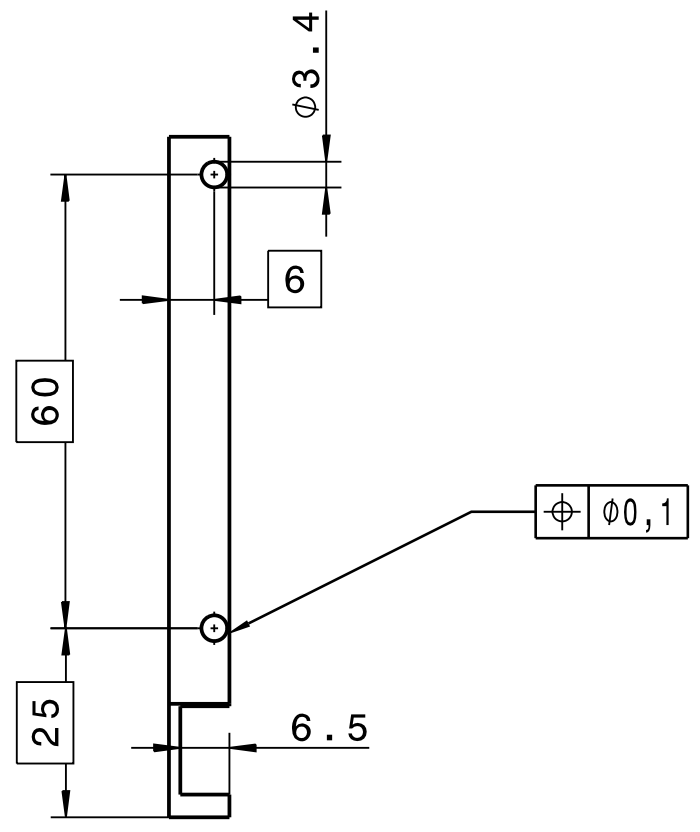


4

3



3



2

Kanten ISO 13715 $\begin{matrix} +0.3 \\ -0.1 \end{matrix}$

$\sqrt{Rz 25}$

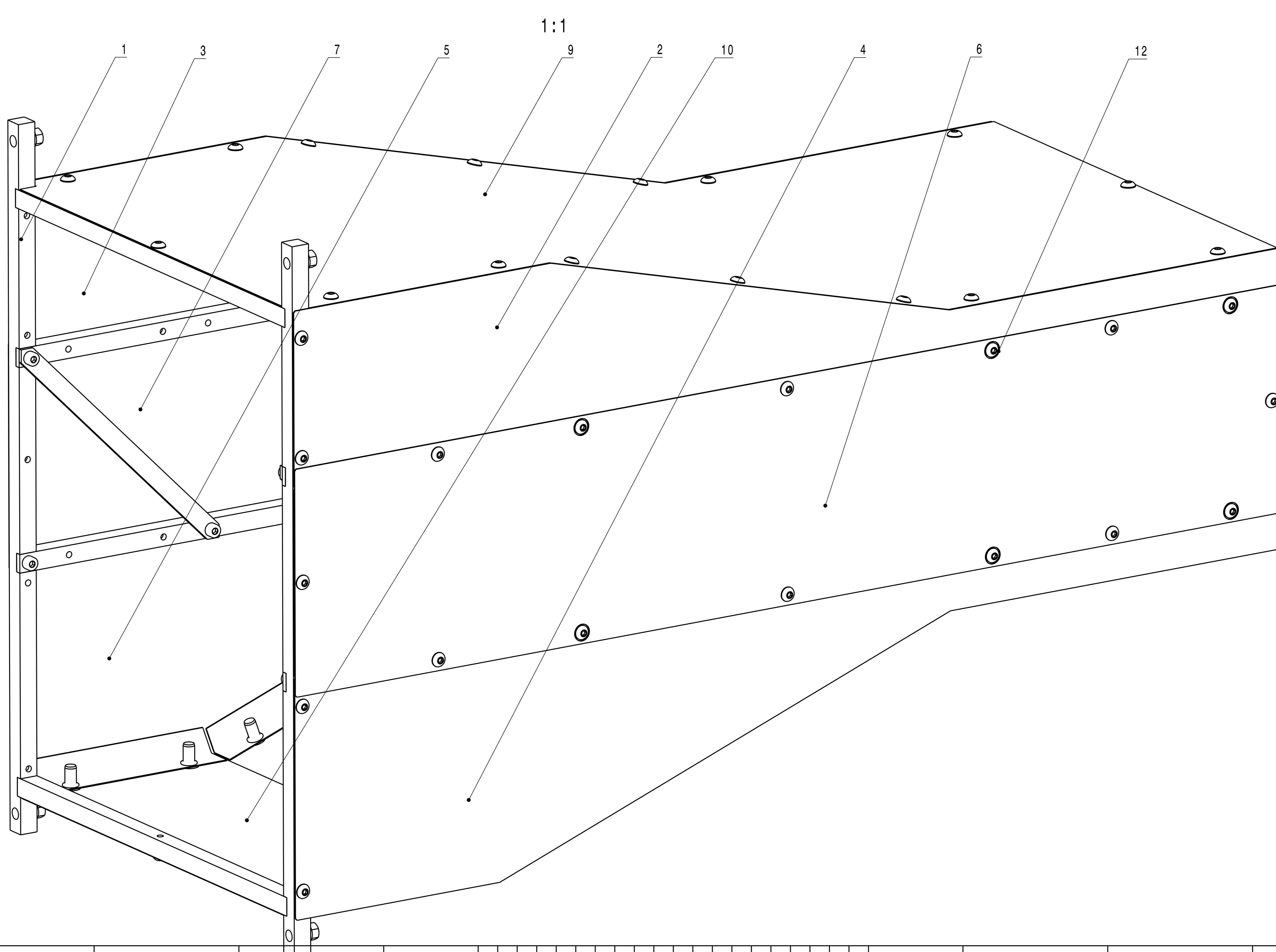
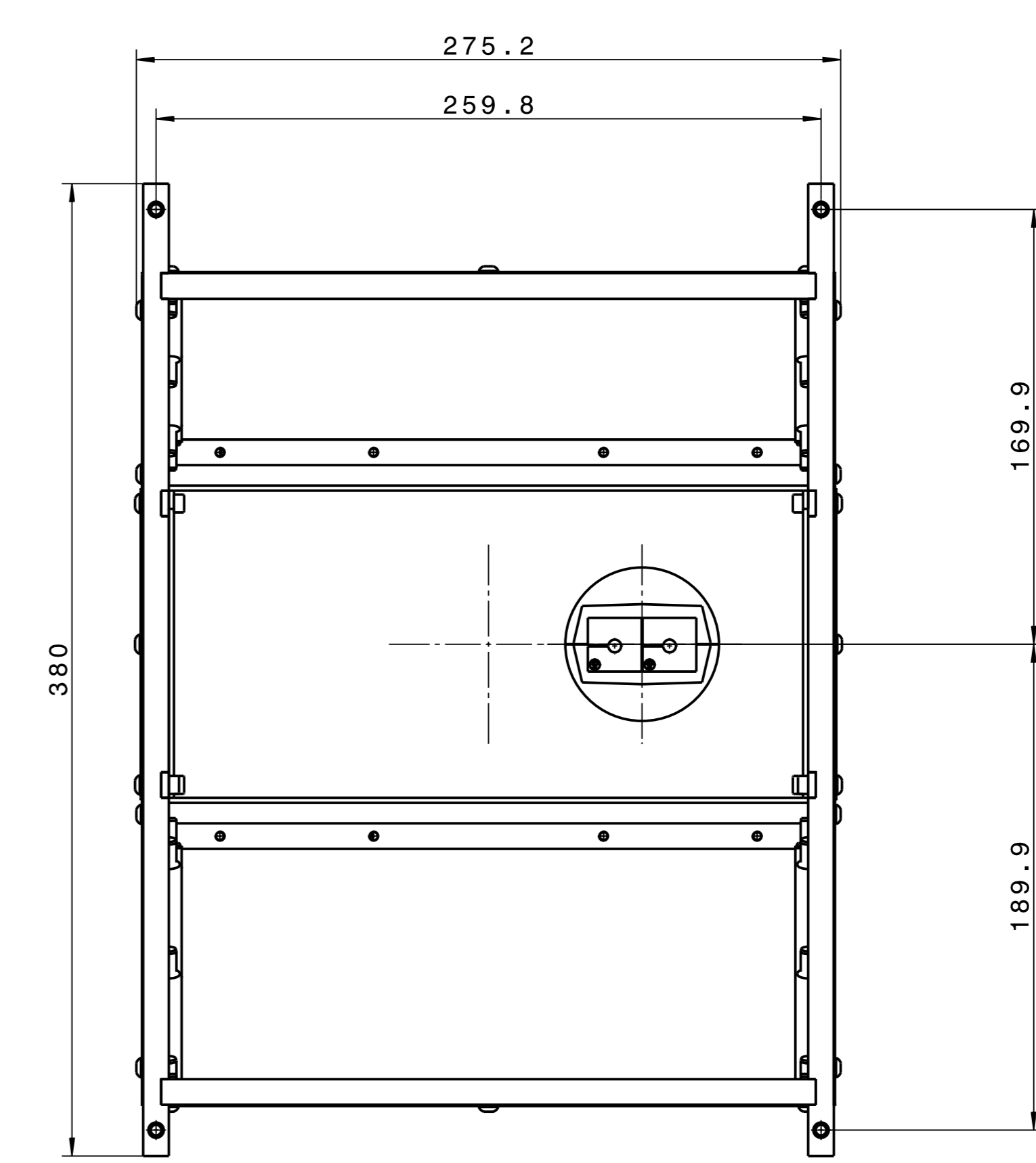
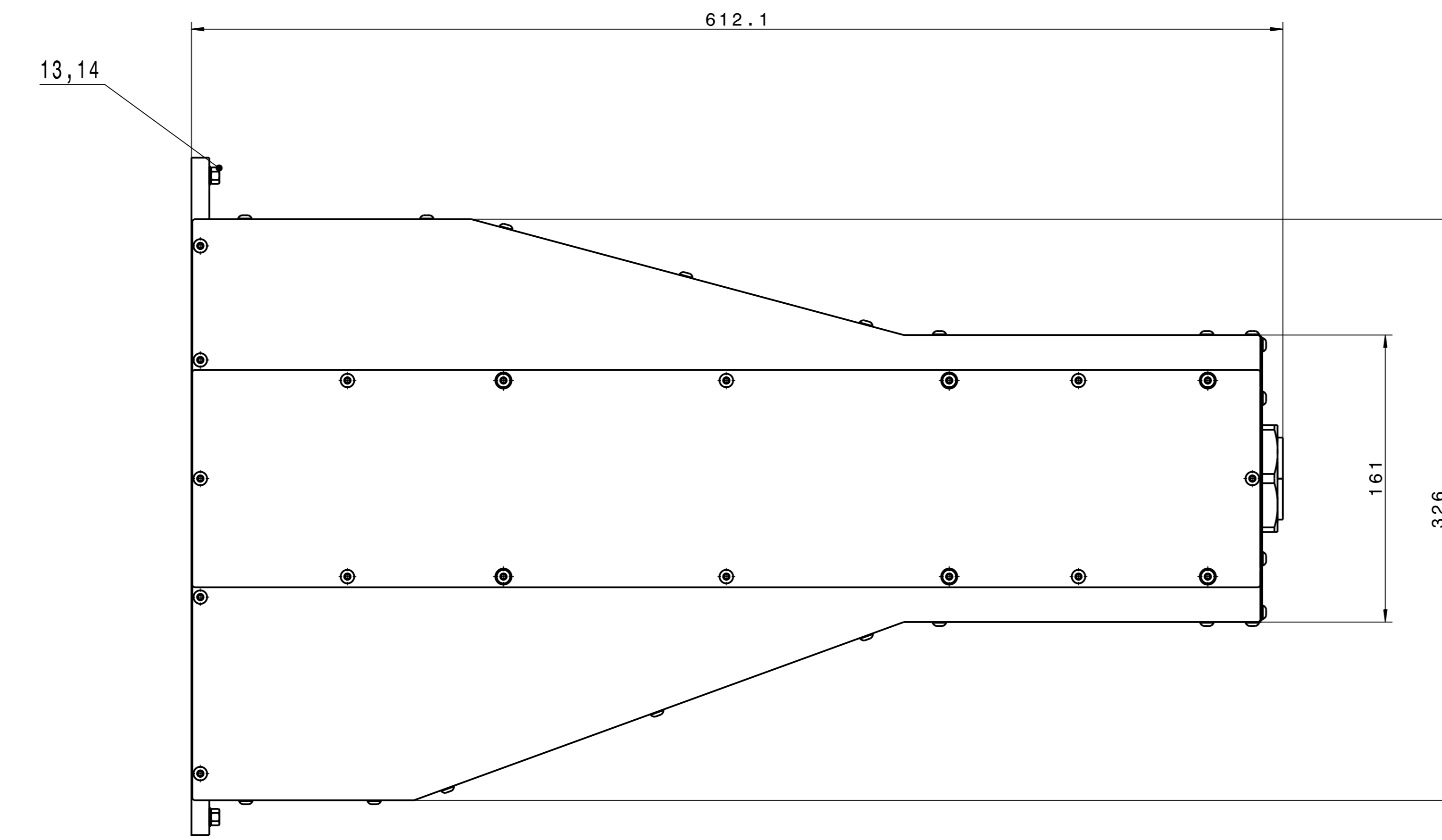
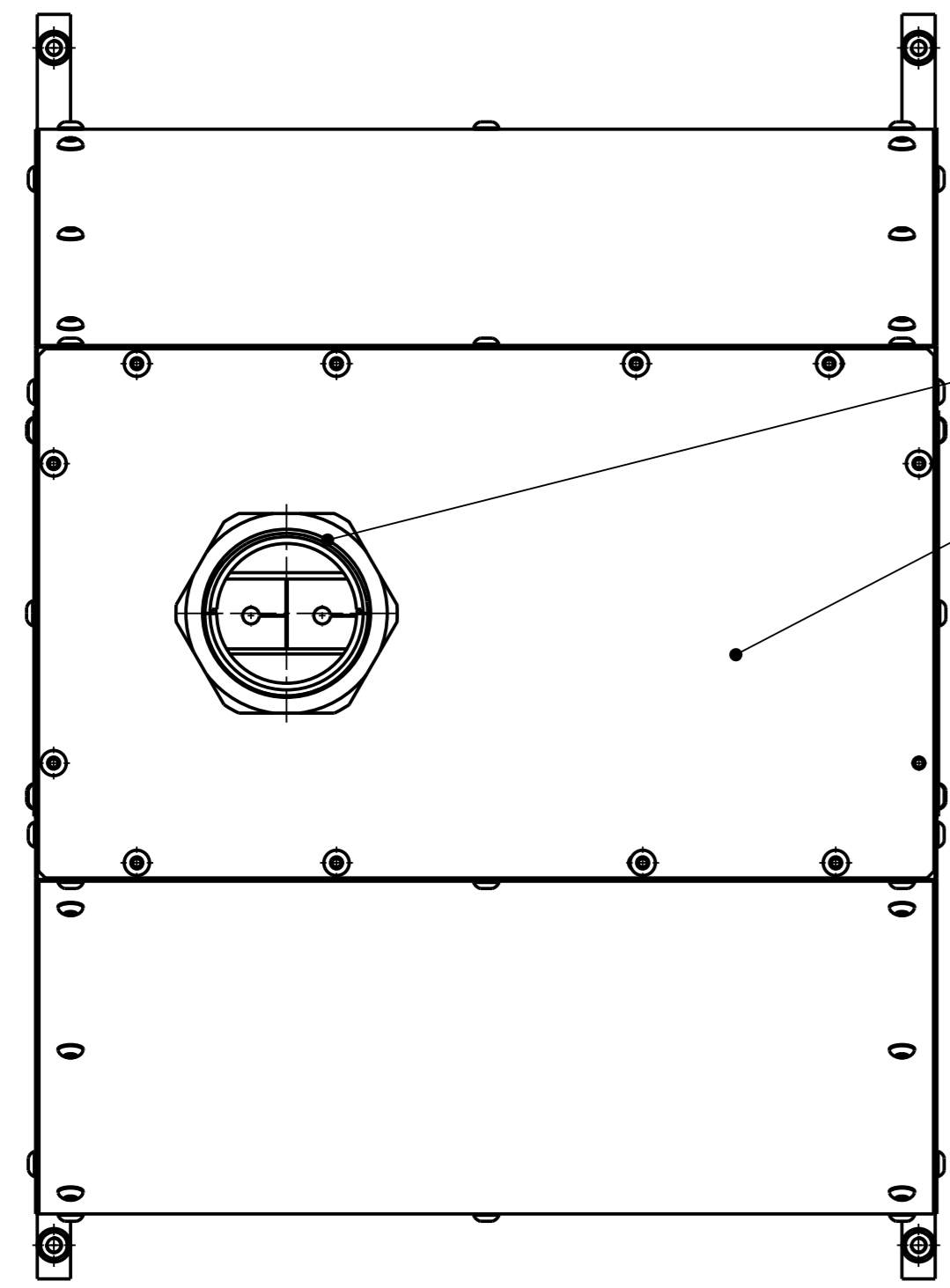
2

1

DESIGNED BY: HIT-SD		HIT		I	-
DATE: 12/21/2015				H	-
Material: AlMg3				G	-
SIZE A3		Winkel		F	-
SCALE 1:1				E	-
WEIGHT (kg) 0.03	DRAWING NUMBER 03.04.00.07	1/1		D	-
SHEET				C	-
This drawing is our property; it can't be reproduced or communicated without our written agreement.				B	-
				A	-

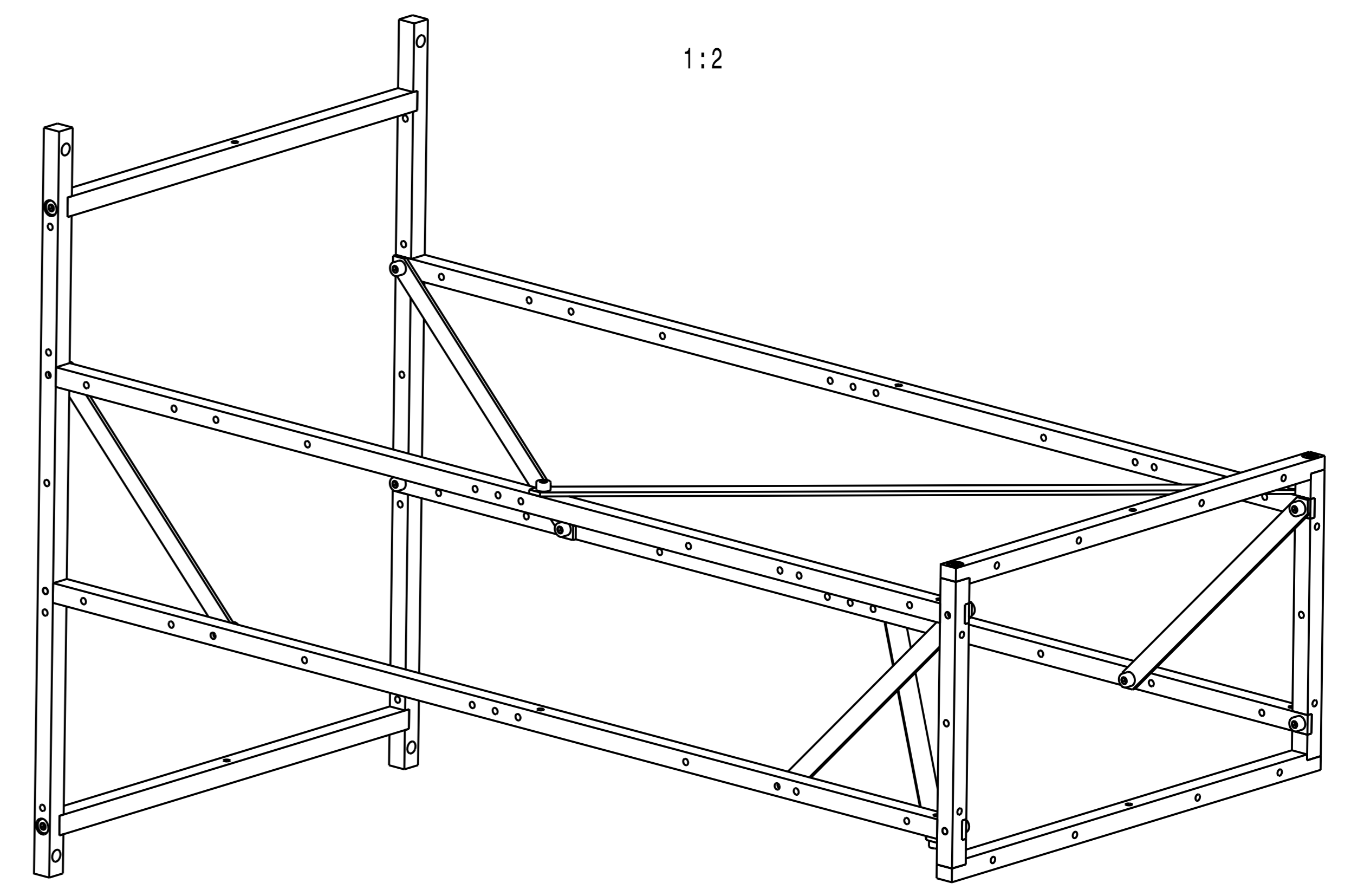
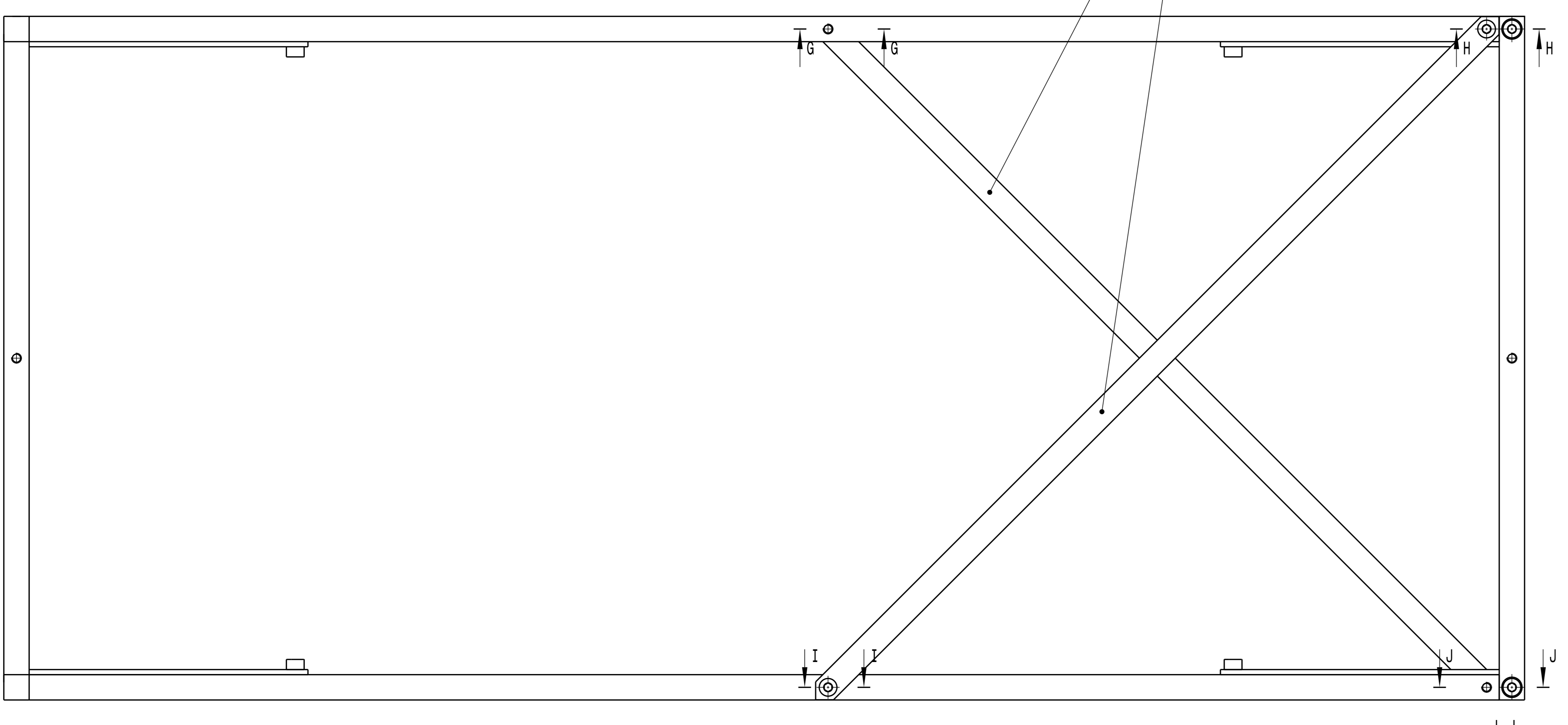
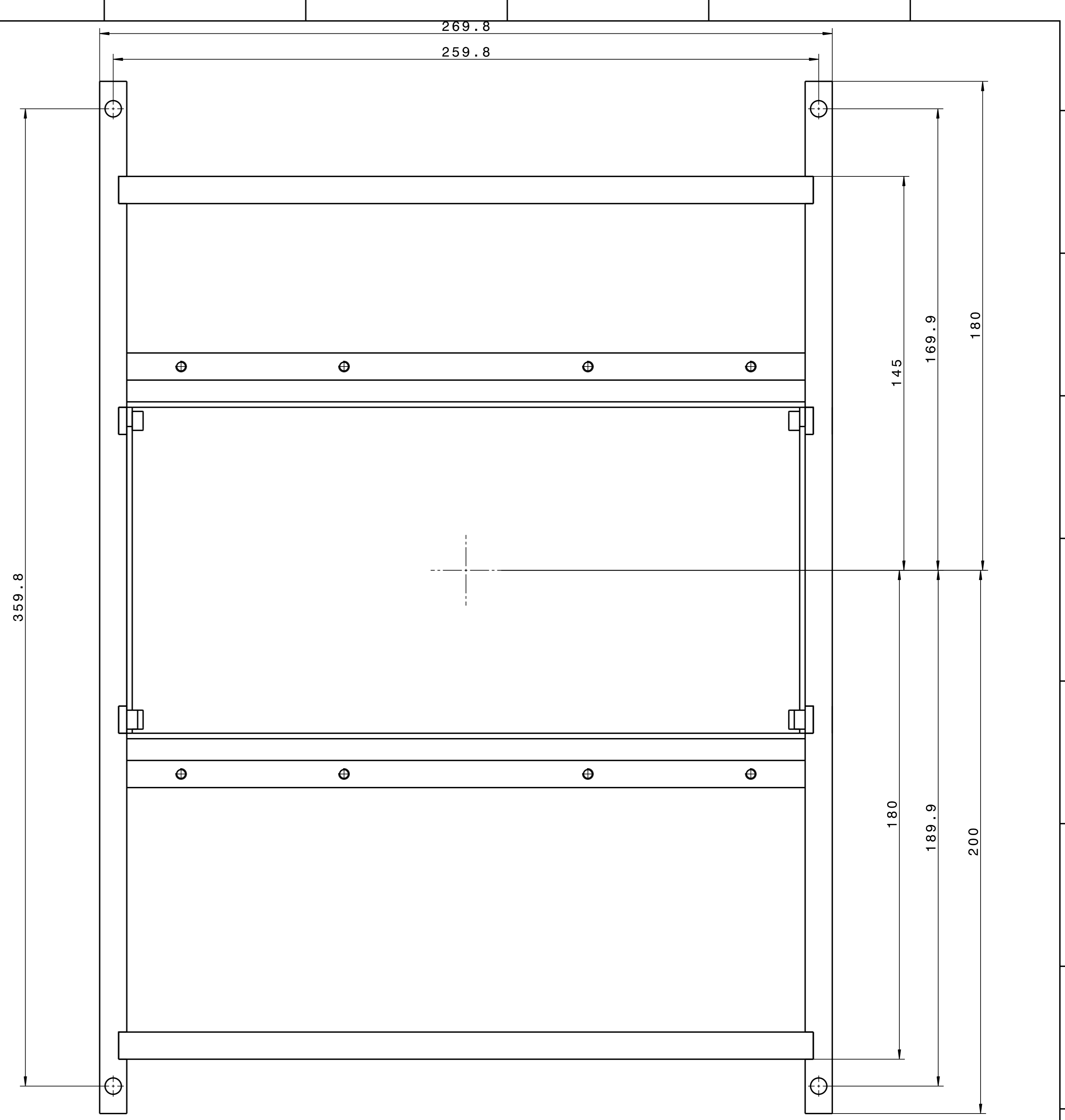
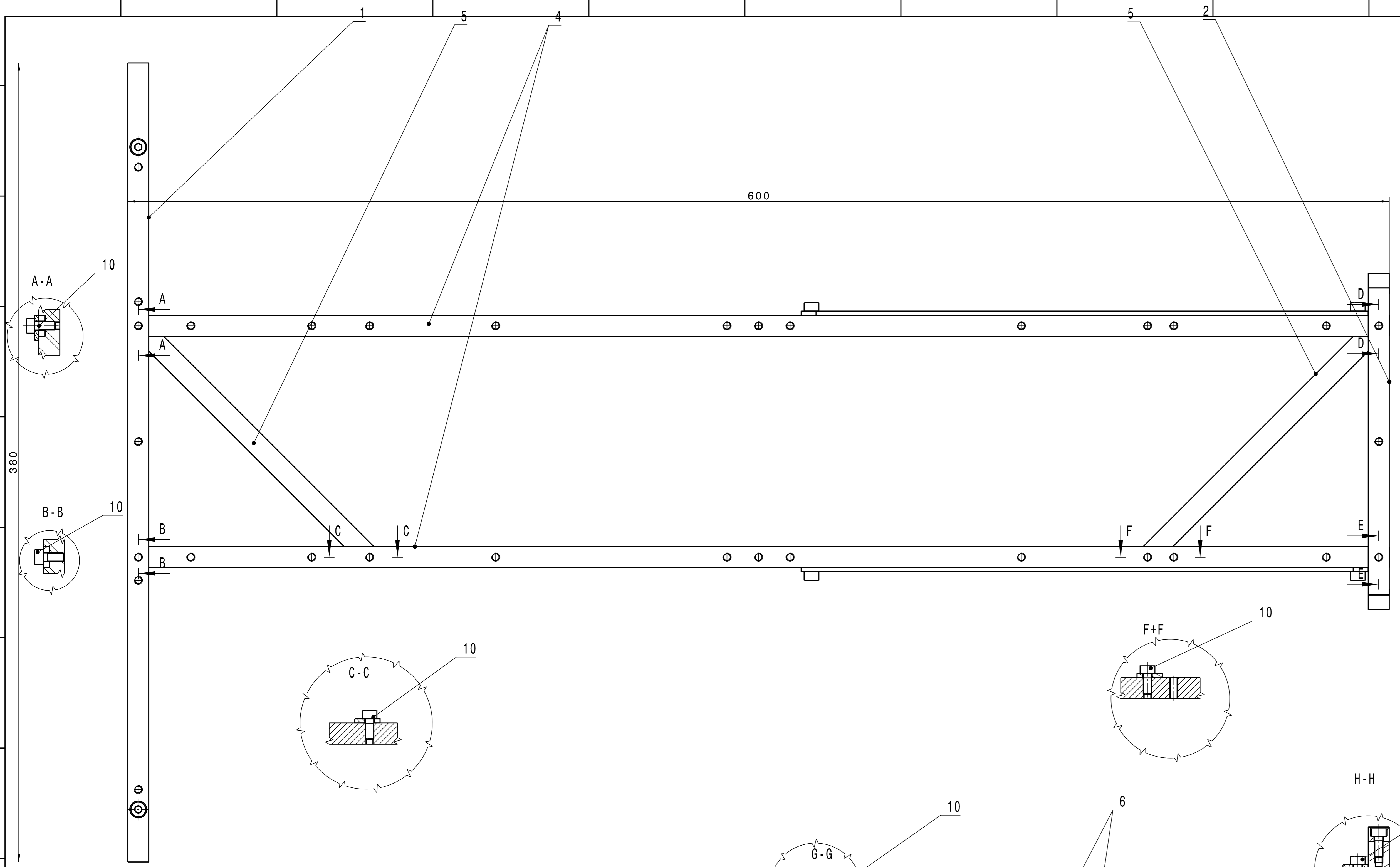
1

H G B A



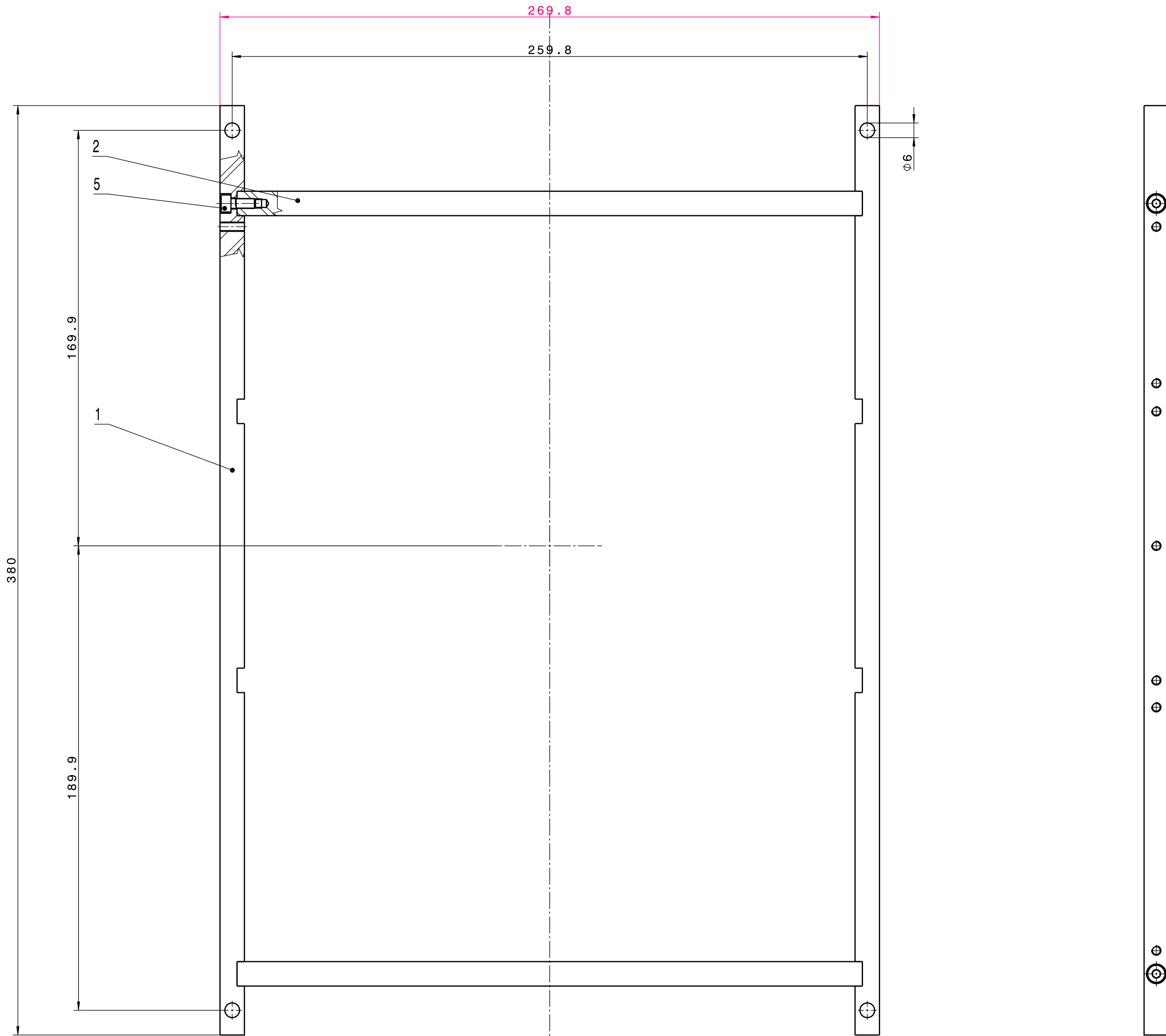
DESIGNED BY:	HIT-SD	HIT	I	-
DATE:	12/17/2015			
DESIGNED BY:			H	-
DATE:			G	-
			F	-
			E	-
			D	-
TITLE	A0	Kameraabschirmung	C	-
SCALE	1:2	PROJECT NO.	B	-
	(1:1)	4.00	A	-
		03.05.00.00		1/1

Copying of this Document, and giving it to others and the use of communication of the contents thereof, are forbidden without express authority. Offenders are liable to the payment of damages. All rights are reserved in the event of the grant of a patent or the registration of a utility model or design.			Rev. No.		Rev.-Doc.-No.	Date	Name	
HIT			Date	Name	Kameraabschirmung			
			Drawn	10.12.2015				HIT-SD
			Checked					
			Approved			Drawing No.	03.05.00.00	Rev.
						Prev. Dwg.		Repl. for
Item	Qty.	Description	Drawing No.	Dimensions (finished part)	Standard / Source of supply	Material	Remark	
1	1	Baugruppe Rahmen komplett	03.05.01.00					
2	1	Seitenteil rechts	03.05.05.00					
3	1	Seitenteil links	03.05.06.00					
4	1	Seitenteil rechts unten	03.05.07.00					
5	1	Seitenteil links unten	03.05.08.00					
6	1	Baugruppe Seitenteil rechts	03.05.09.00					
7	1	Baugruppe Seitenteil links	03.05.10.00					
8	1	Rückblech	03.05.00.01			1.4301 (X5CrNi18-10)		
9	1	Abdeckblech oben	03.05.00.02			1.4301 (X5CrNi18-10)		
10	1	Abdeckblech unten	03.05.00.03			1.4301 (X5CrNi18-10)		
11								
12	80	Halbrundschraube		M4x8	Fa. Item	8.0.0.0.198		
13	4	Scheibe ISO 7089 - 5		∅5,4	ISO 7089	A2		
14	4	Sechskantmutter		M5	ISO 4032	A2		
15								
16	1	Kabeldurchführung			FA. INCOTEK	KVT 50/2		



DESIGNED BY:	HIT-SD		
DATE:	12/10/2015		
DRAWN BY:			
DATE:			
SCALE:	1:1	1:2	0,99
PROJECT NO.:	03.05.01.00		
SHEET NO.:	1/1		
HIT			
Baugruppe Rahmen komplett			

Copying of this Document, and giving it to others and the use of communication of the contents thereof, are forbidden without express authority. Offenders are liable to the payment of damages. All rights are reserved in the event of the grant of a patent or the registration of a utility model or design.					Rev. No.	Rev.-Doc.-No.	Date	Name	
HIT			Date	Name	Baugruppe Rahmen komplett				
			Drawn	10.12.2015					HIT-SD
			Checked						
			Approved			Drawing No.	03.05.01.00		Rev.
						Prev. Dwg.	Repl. for		
Item	Qty.	Description	Drawing No.	Dimensions (finished part)	Standard / Source of supply	Material	Remark		
1	1	Rahmen	03.05.03.00						
2	1	Rahmen hinten	03.05.04.00						
3									
4	4	Rahmen Teil 5	03.05.01.01	10x10x600		AlCu4PBMgMn			
5	4	Rahmen Teil 6	03.05.01.02	10x2x169,7		AlCu4PBMgMn			
6	2	Rahmen Teil 7	03.05.01.03	10x2x381,3		AlCu4PBMgMn			
7									
8									
9									
10	16	Zylinderschraube		M4x10	ISO 4762	A2			
11									
12									
13									
14									
15									
16									



DESIGNED BY:	HIT-SD	I	-
DATE:	12/10/2015	H	-
CHECKED BY:		G	-
DATE:		F	-
		E	-
SIZE	A1	D	-
SCALE	1:1	C	-
		B	-
		A	-

HIT	
Rahmen	
SCALE	1:1
RECHT (TYP)	0,36
DRAWING NUMBER	03.05.03.00
SHEET	1/1

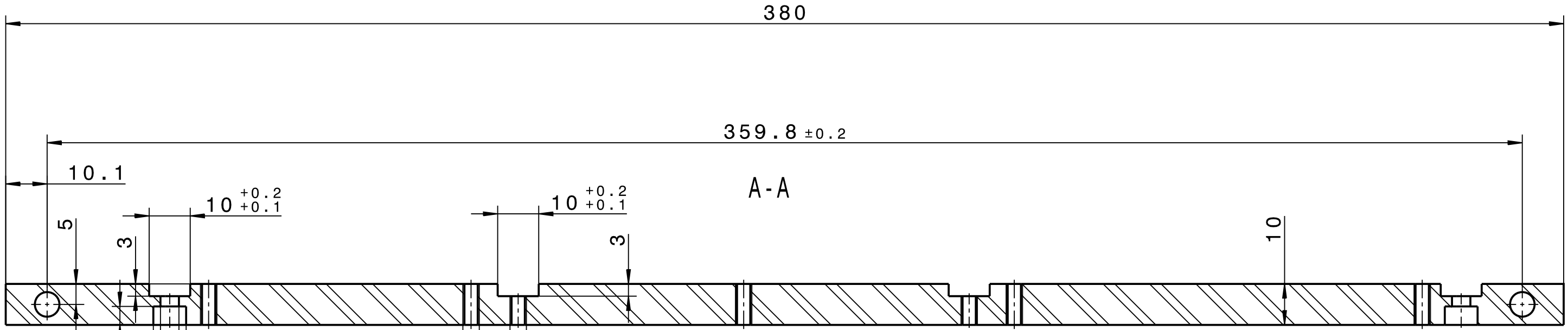
This drawing is our property; it can't be reproduced or communicated without our written agreement.

Copying of this Document, and giving it to others and the use of communication of the contents thereof, are forbidden without express authority. Offenders are liable to the payment of damages. All rights are reserved in the event of the grant of a patent or the registration of a utility model or design.					Rev. No.	Rev.-Doc.-No.	Date	Name		
HIT			Date	Name	Description Rahmen					
			Drawn	10.12.2015					HIT-SD	
			Checked							
			Approved			Drawing No.	03.05.03.00			Rev.
							Prev. Dwg.	Repl. for		
Item	Qty.	Description	Drawing No.	Dimensions (finished part)	Standard / Source of supply	Material	Remark			
1	2	Rahmen Teil 1	STD-000-L39.281.001 (-)	10x10x380		EN AW-2007 (AlCu4PbMgMn)	schwarz eloxiert			
2	2	Rahmen Teil 2	STD-000-L39.281.002 (-)	10x10x255,8		EN AW-2007 (AlCu4PbMgMn)	schwarz eloxiert			
3										
4										
5	4	Zylinderschraube		M4x10	ISO 4762	A2				
6										
7										
8										
9										
10										
11										
12										
13										
14										
15										
16										

H G F E D C B A

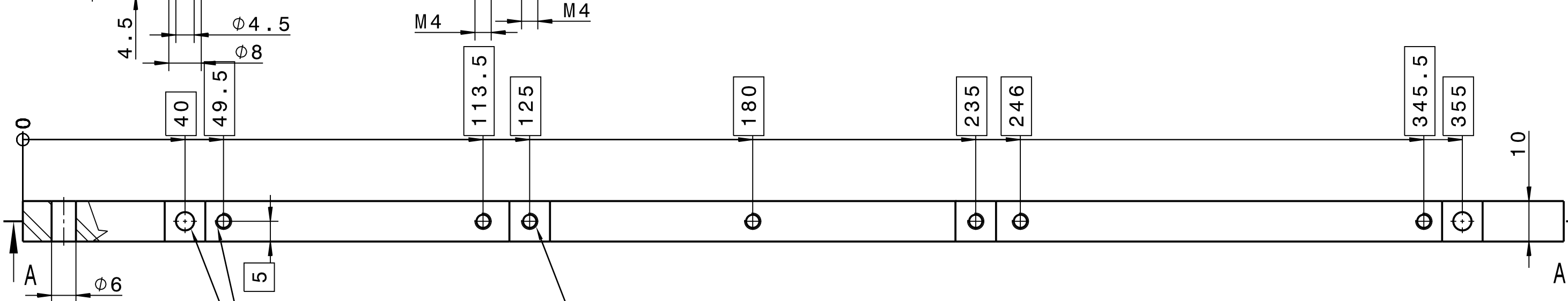
4

4



3

3



2

2

⊕ 0,1

⊕ 0,1

Kanten ISO 13715 $\begin{matrix} +0.3 \\ -0.1 \end{matrix}$ schwarz eloxiert

$\sqrt{\text{Rz 25}}$

DESIGNED BY: HIT-SD	HIT		I	-
DATE: 12/10/2015			H	-
MATERIAL: AlCu4PbMgMn	Rahmen Teil 1		G	-
SIZE: A3			E	-
SCALE: 1:1	WEIGHT (kg)	DRAWING NUMBER: 03.05.03.01	C	-
		SHEET: 1/1	B	-
This drawing is our property; it can't be reproduced or communicated without our written agreement.			A	-

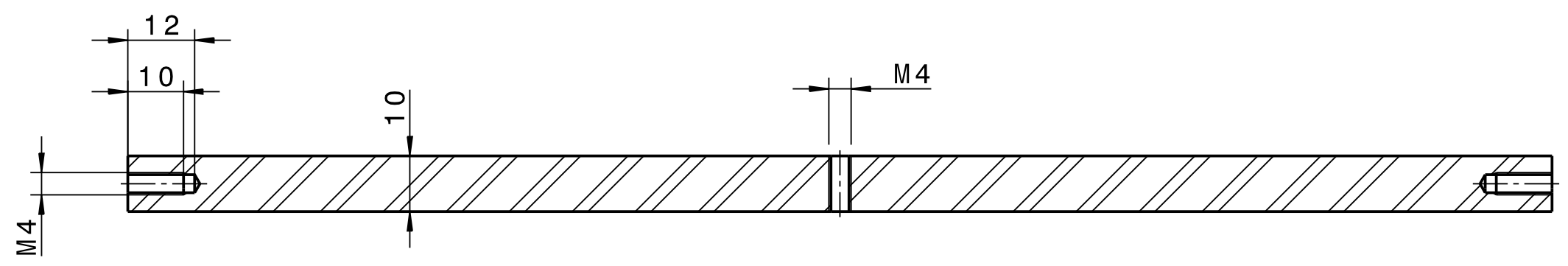
H G B A

1

H G F E D C B A

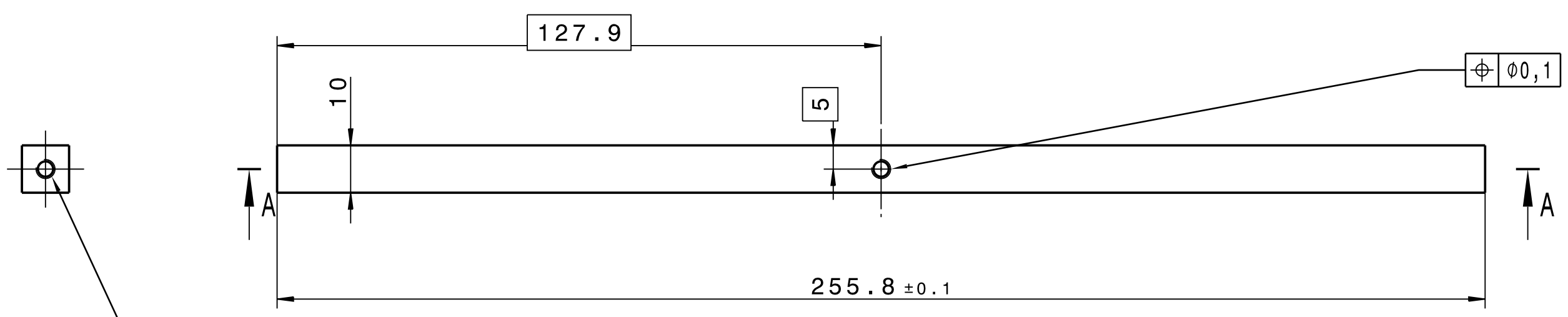
4

4



3

3



2

2

Kanten ISO 13715 $\begin{matrix} +0.3 \\ -0.1 \end{matrix}$ $\begin{matrix} -0.3 \\ -0.1 \end{matrix}$ schwarz eloxiert $\sqrt{Rz\ 25}$

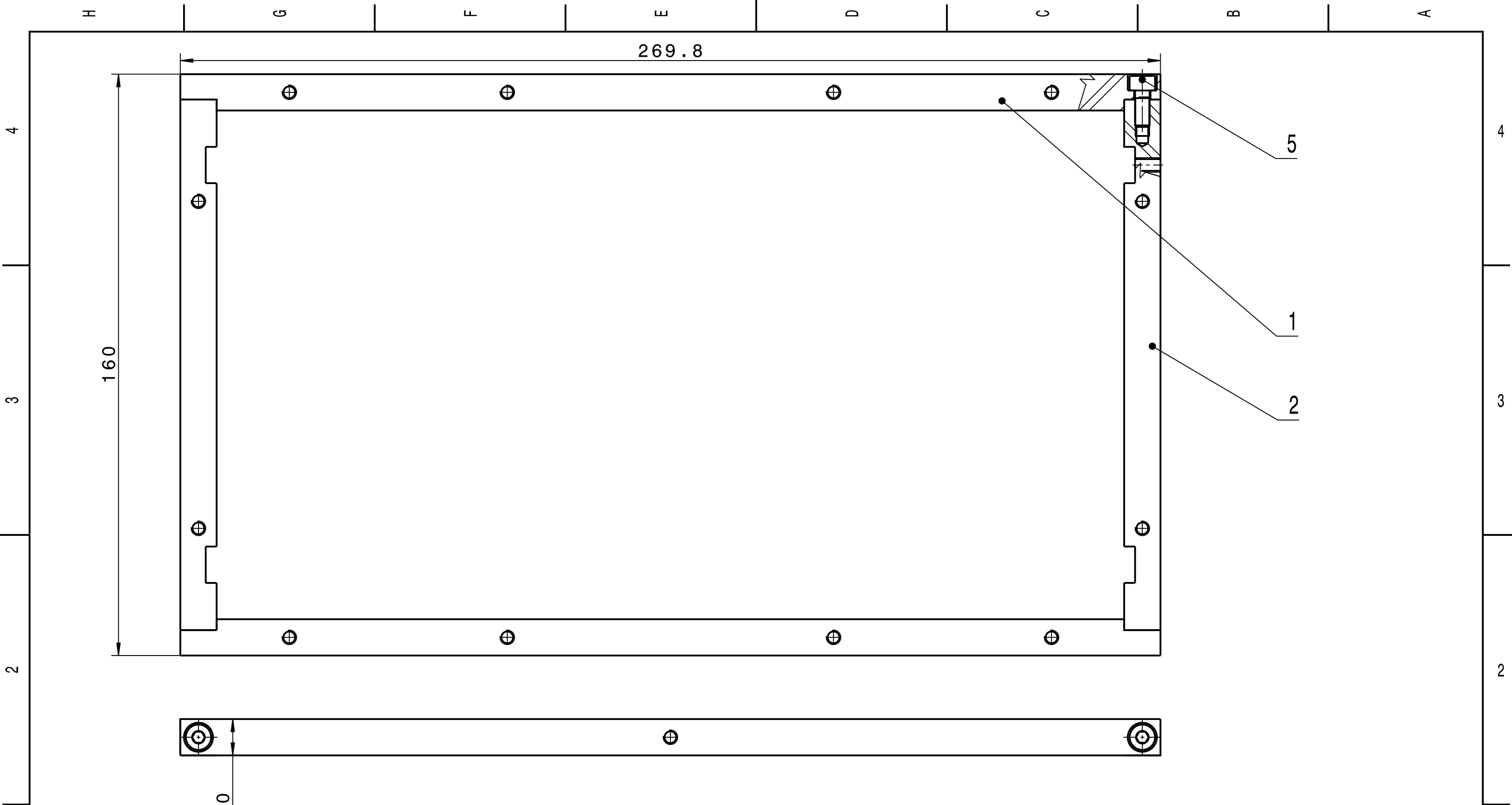
1

1

DESIGNED BY: HIT-SD	HIT		I	-
DATE: 12/10/2015			H	-
MATERIAL: AlCu4PbMgMn	Rahmen Teil 2		G	-
SIZE A3			E	-
SCALE 1:1	WEIGHT (kg)	DRAWING NUMBER 03.05.03.02	C	-
			B	-
			A	-
SHEET 1/1				

This drawing is our property; it can't be reproduced or communicated without our written agreement.

H G B A

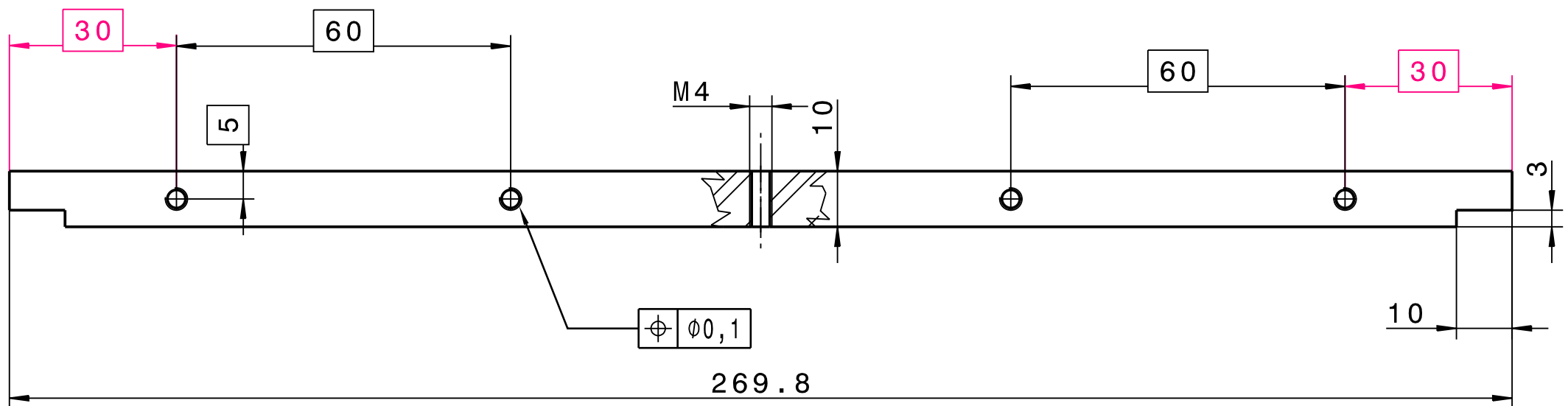
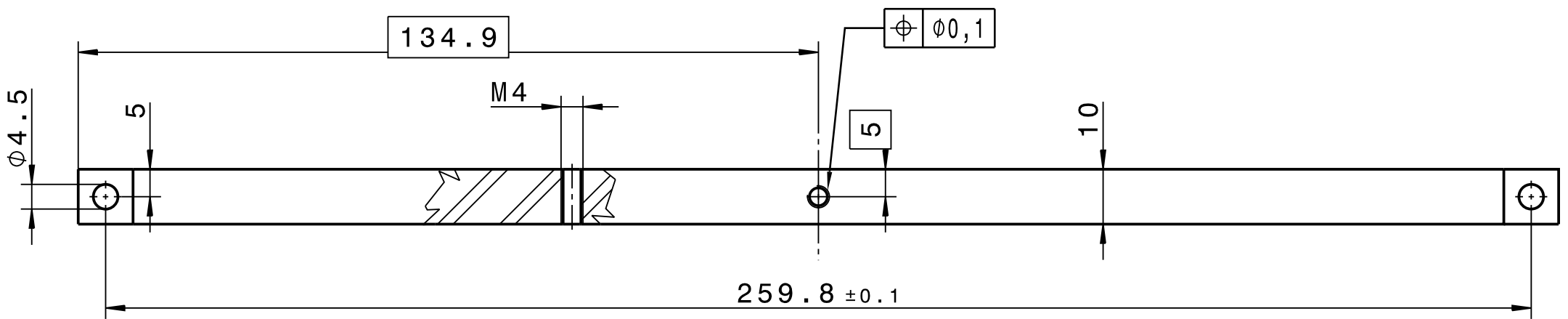


DESIGNED BY: HIT-SD		HIT		I	-
DATE: 12/10/2015				H	-
CHECKED BY:		Rahmen hinten		G	-
DATE:				F	-
SIZE A3		DRAWING NUMBER 03.05.04.00		E	-
SCALE 1:1	WEIGHT (kg) 0,25			D	-
		SHEET 1/1		C	-
				B	-
				A	-

This drawing is our property; it can't be reproduced or communicated without our written agreement.

Copying of this Document, and giving it to others and the use of communication of the contents thereof, are forbidden without express authority. Offenders are liable to the payment of damages. All rights are reserved in the event of the grant of a patent or the registration of a utility model or design.					Rev. No.	Rev.-Doc.-No.	Date	Name	
HIT			Date	Name	Description Rahmen hinten				
			Drawn	10.12.2015					HIT-SD
			Checked						
			Approved			Drawing No.	03.05.04.00		Rev.
						Prev. Dwg.	Repl. for		
Item	Qty.	Description	Drawing No.	Dimensions (finished part)	Standard / Source of supply	Material	Remark		
1	2	Rahmen Teil 3	03.05.04.01	10x10x269,8		ALCu4PbMgMn	schwarz eloxiert		
2	2	Rahmen Teil 4	03.05.04.02	10x10x146		ALCu4PbMgMn	schwarz eloxiert		
3									
4									
5	4	Zylinderschraube		M4x10	ISO 4762	A2			
6									
7									
8									
9									
10									
11									
12									
13									
14									
15									
16									

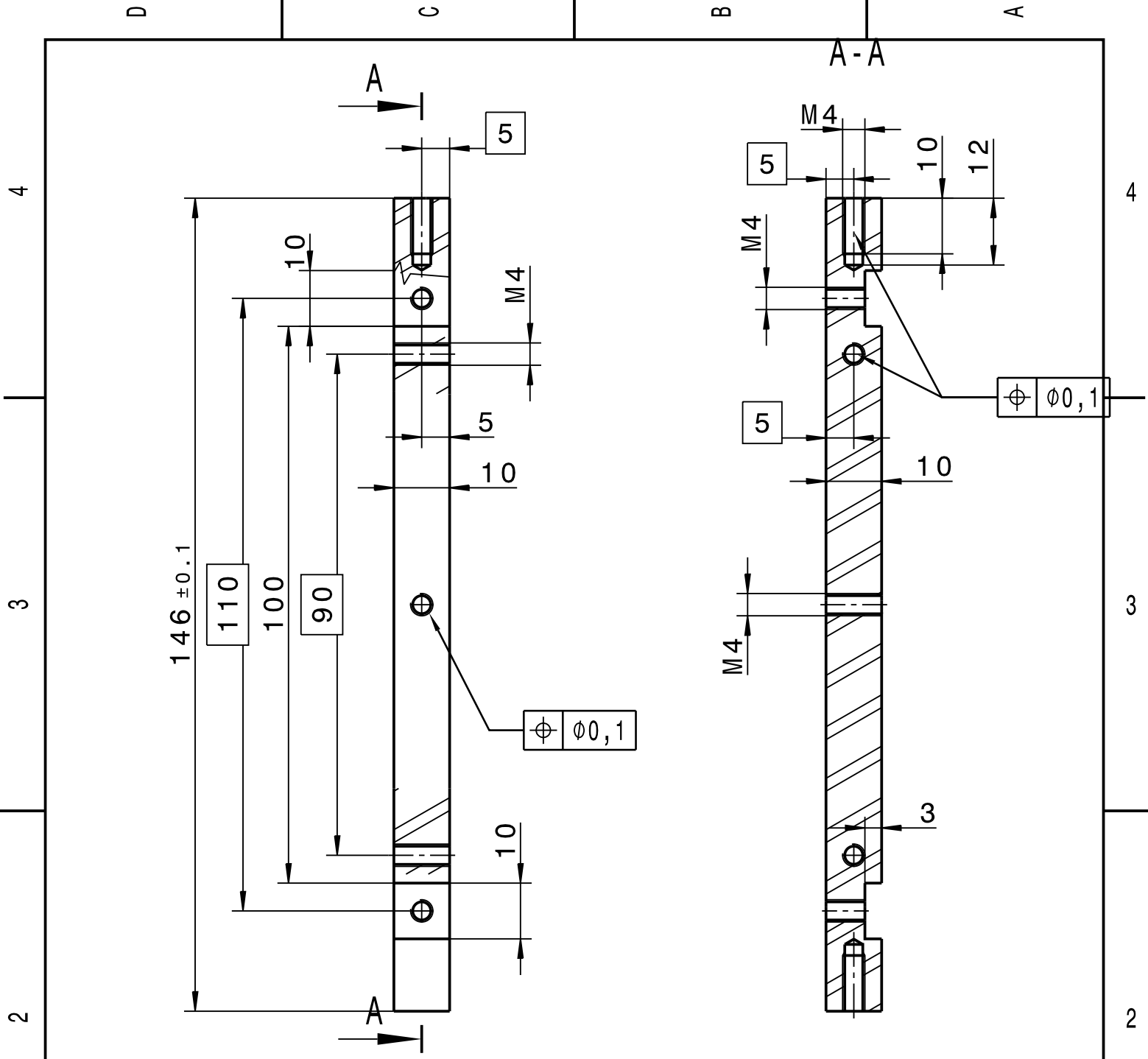
H G F E D C B A



Kanten ISO 13715 $\begin{matrix} +0.3 \\ -0.1 \end{matrix}$ $\begin{matrix} -0.3 \\ -0.1 \end{matrix}$ schwarz eloxiert $\sqrt{\text{Rz 25}}$

DESIGNED BY: HIT-SD		HIT		I	-
DATE: 12/10/2015				H	-
Material: ALCu4PbMgMn		Rahmen Teil 3		G	-
SIZE A3				E	-
SCALE 1:1	WEIGHT (kg)	DRAWING NUMBER 03.05.04.01	SHEET 1/1	D	-
This drawing is our property; it can't be reproduced or communicated without our written agreement.				C	-
				B	-
				A	-

H G B A



Kanten ISO 13715

+0.3

-0.3

-0.1

schwarz eloxiert

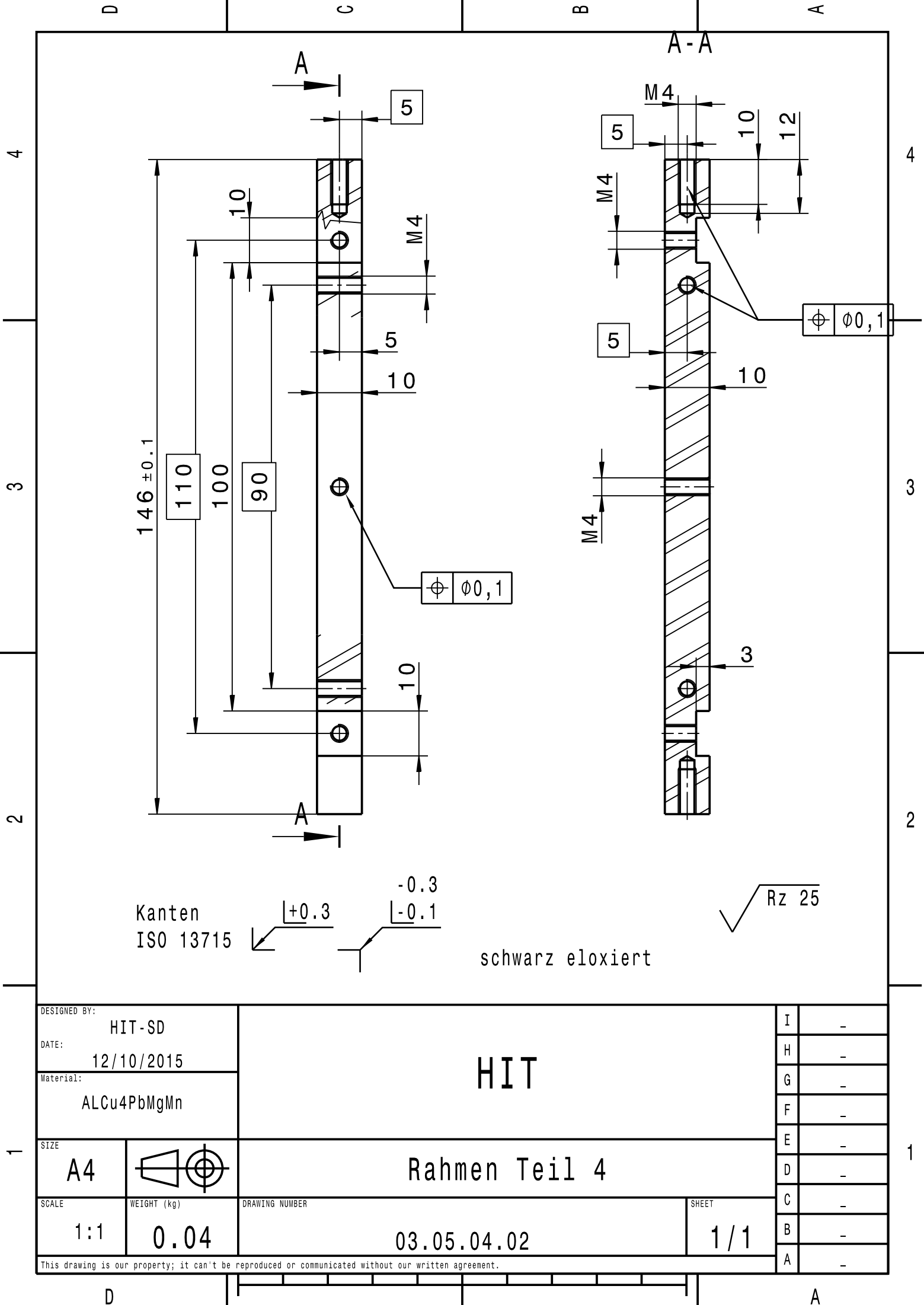
Rz 25

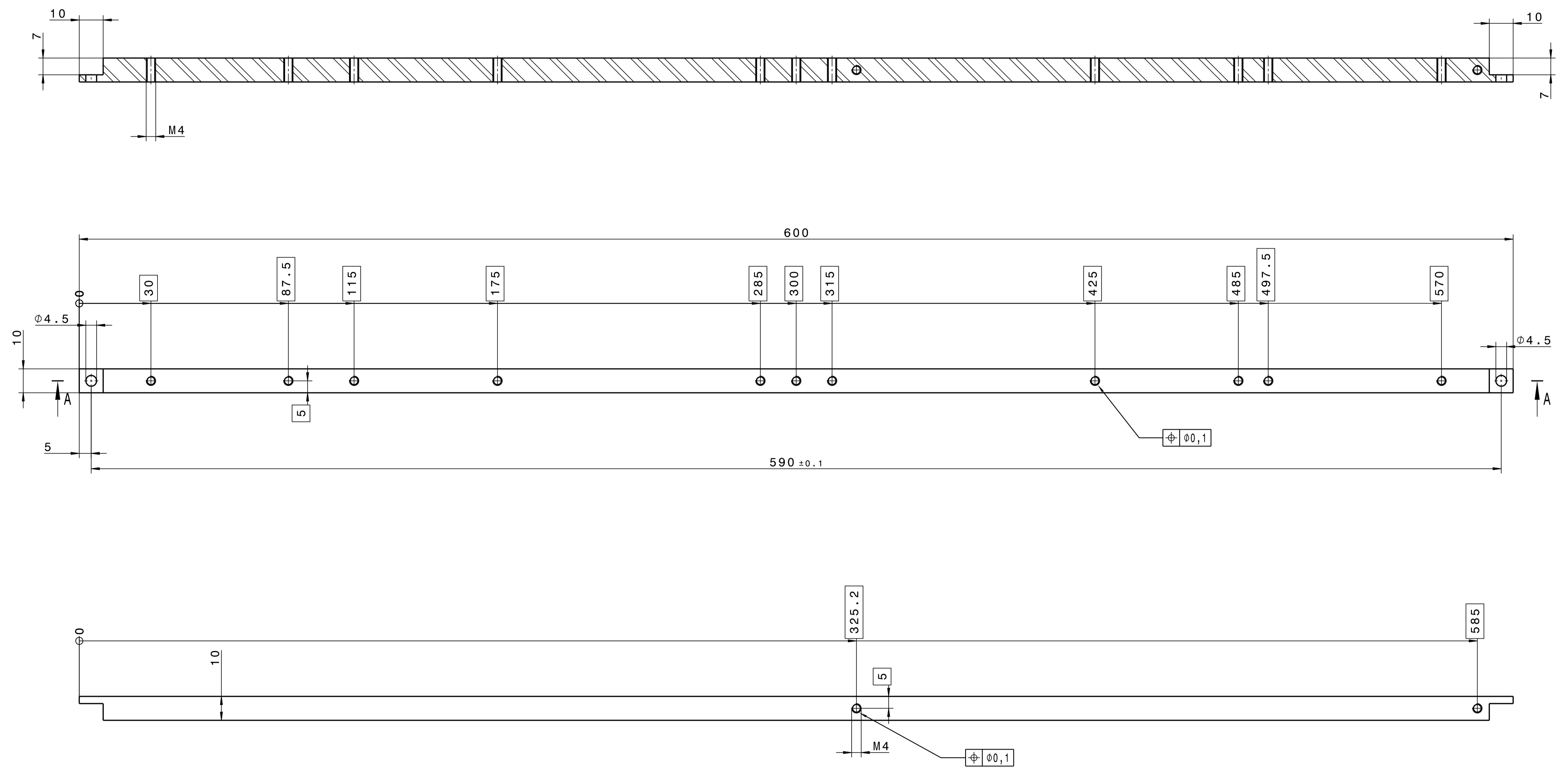
DESIGNED BY:	HIT-SD
DATE:	12/10/2015
MATERIAL:	ALCu4PbMgMn
SIZE	A4
SCALE	1:1
WEIGHT (kg)	0.04

<h1>HIT</h1>	
<h2>Rahmen Teil 4</h2>	
DRAWING NUMBER	03.05.04.02
SHEET	1/1

I	-
H	-
G	-
F	-
E	-
D	-
C	-
B	-
A	-

This drawing is our property; it can't be reproduced or communicated without our written agreement.





DESIGNED BY: HIT-SD		DATE: 12/10/2015		MATERIAL: AlCu4PbMgMn	
SCALE: 1:1		DRAWING NUMBER: 03.05.01.01		SHEET: 1/1	
Kanten ISO 13715		+0.3 / -0.1		schwarz eloxiert	
				√ Rz 25	
HIT Rahmen Teil 5				I	-
				H	-
				G	-
				F	-
				E	-
				D	-
				C	-
				B	-
				A	-

H G F E D C B A

4

4

3

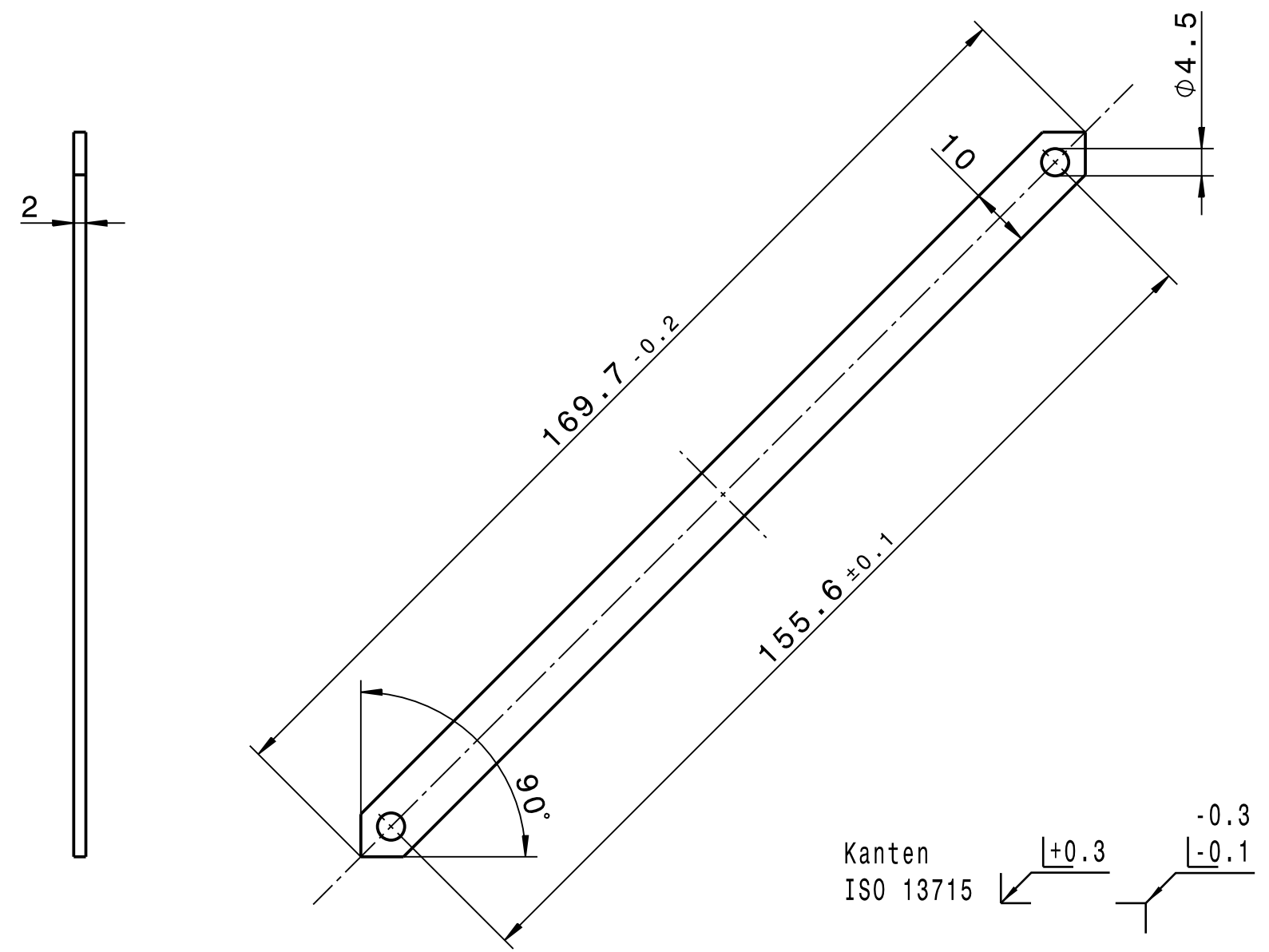
3

2

2

1

1



Kanten ISO 13715 $\begin{matrix} +0.3 \\ -0.1 \end{matrix}$ schwarz eloxiert $\sqrt{Rz\ 25}$

DESIGNED BY: HIT-SD		HIT		I	-
DATE: 12/10/2015				H	-
Material: AlCu4PbMgMn				G	-
SIZE A3		Rahmen Teil 6		E	-
SCALE 1:1	WEIGHT (kg)	DRAWING NUMBER 03.05.01.02	SHEET 1/1	D	-
This drawing is our property; it can't be reproduced or communicated without our written agreement.				C	-
				B	-
				A	-

H G B A

H G F E D C B A

4

4

3

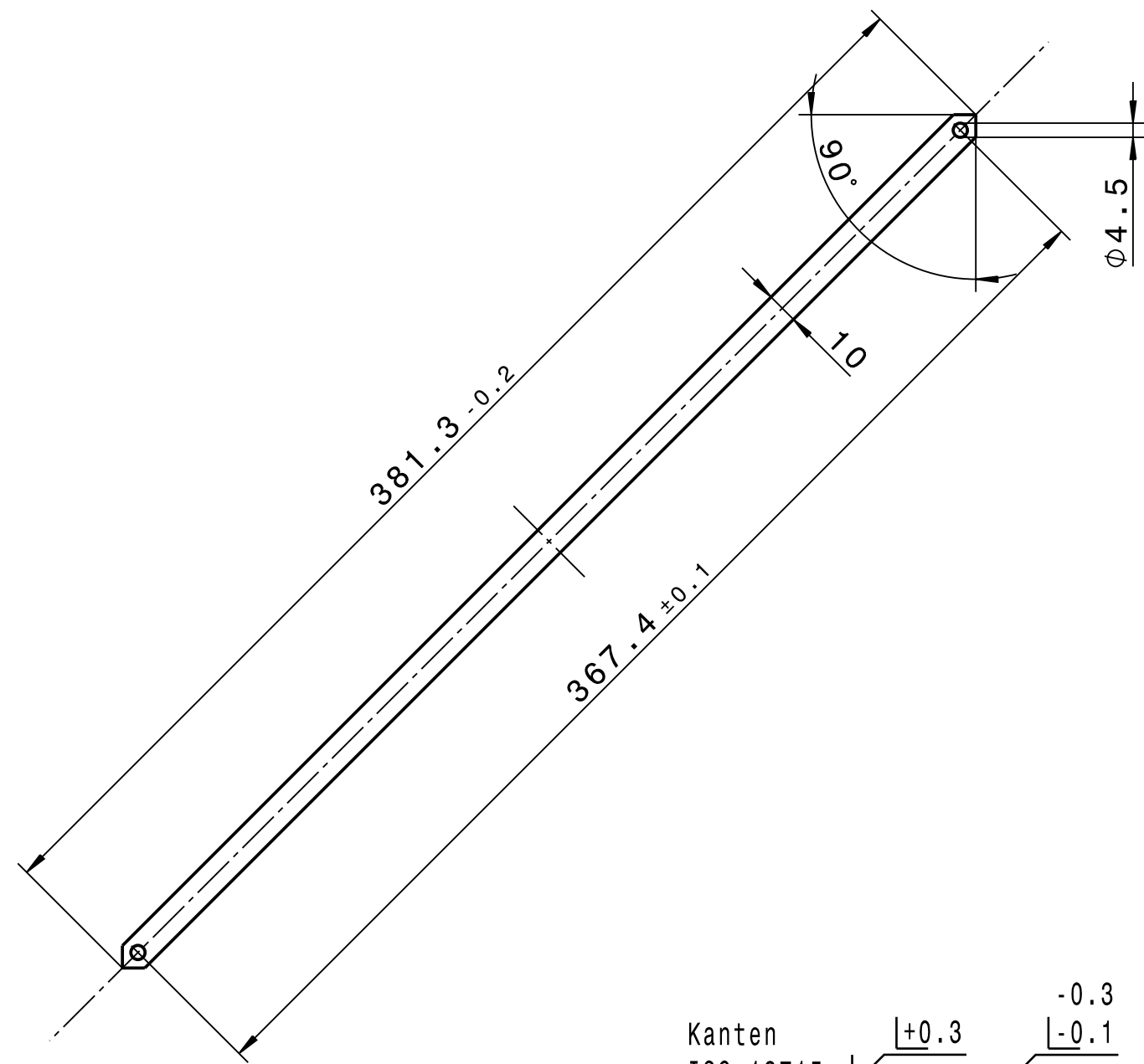
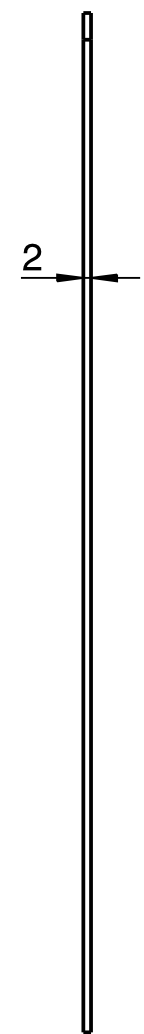
3

2

2

1

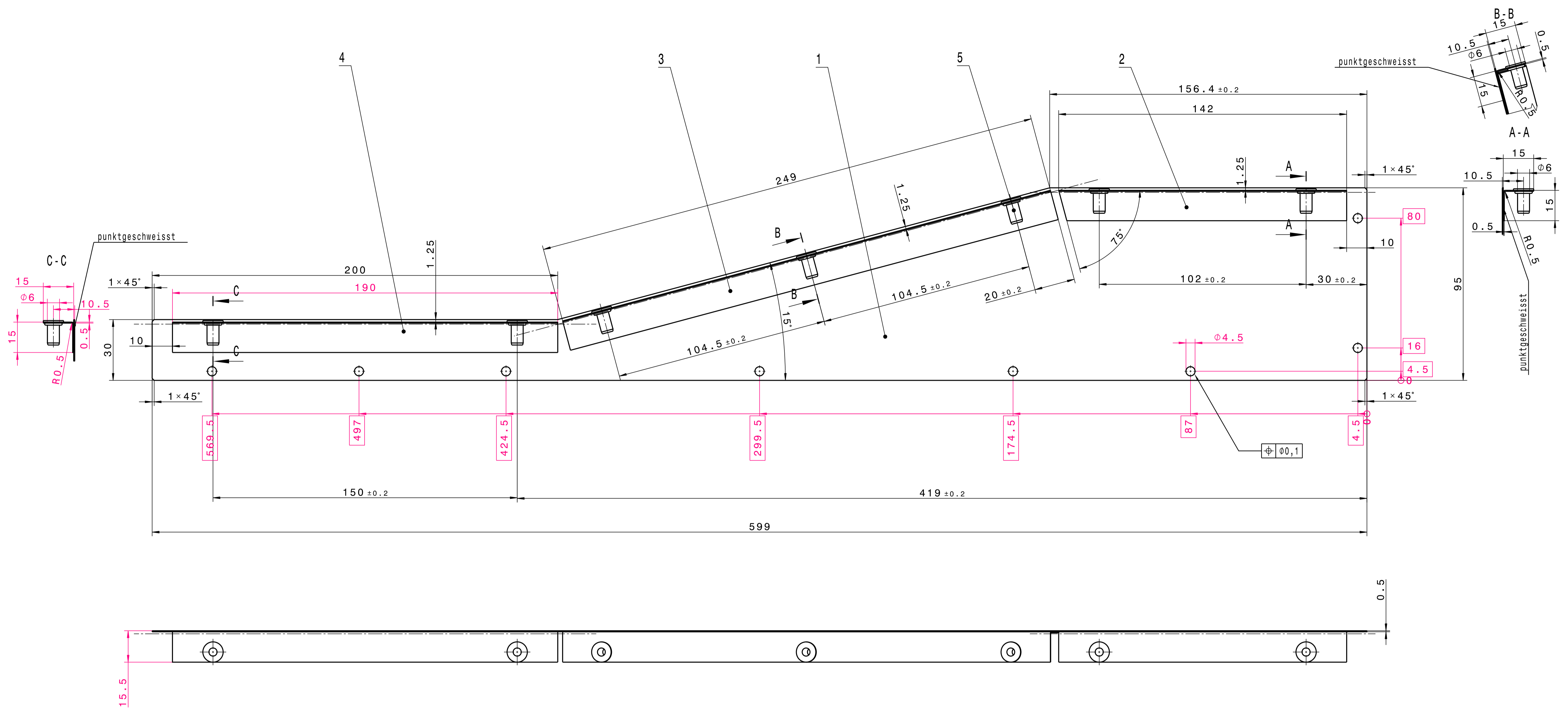
1



Kanten ISO 13715 $\begin{matrix} +0.3 \\ -0.1 \end{matrix}$ $\begin{matrix} -0.3 \\ -0.1 \end{matrix}$ schwarz eloxiert $\sqrt{\text{Rz 25}}$

DESIGNED BY: HIT-SD		HIT		I	-
DATE: 12/10/2015				H	-
Material: AlCu4PbMgMn				G	-
SIZE A3		Rahmen Teil 7		E	-
SCALE 1:2	WEIGHT (kg)	DRAWING NUMBER 03.05.01.03	SHEET 1/1	D	-
This drawing is our property; it can't be reproduced or communicated without our written agreement.				C	-
				B	-
				A	-

H G F E D C B A



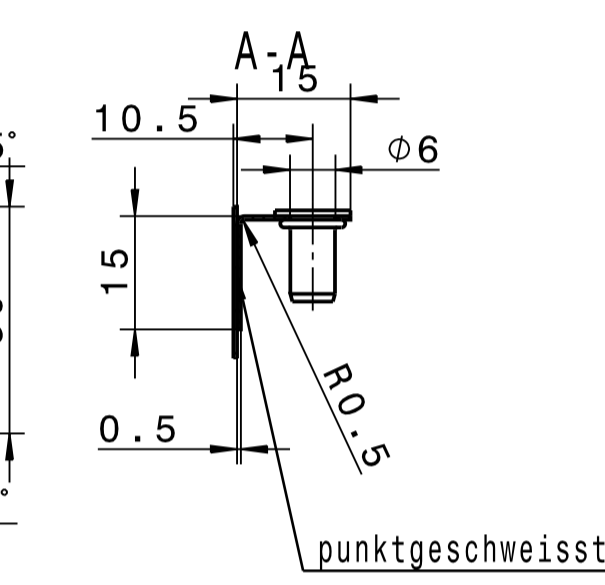
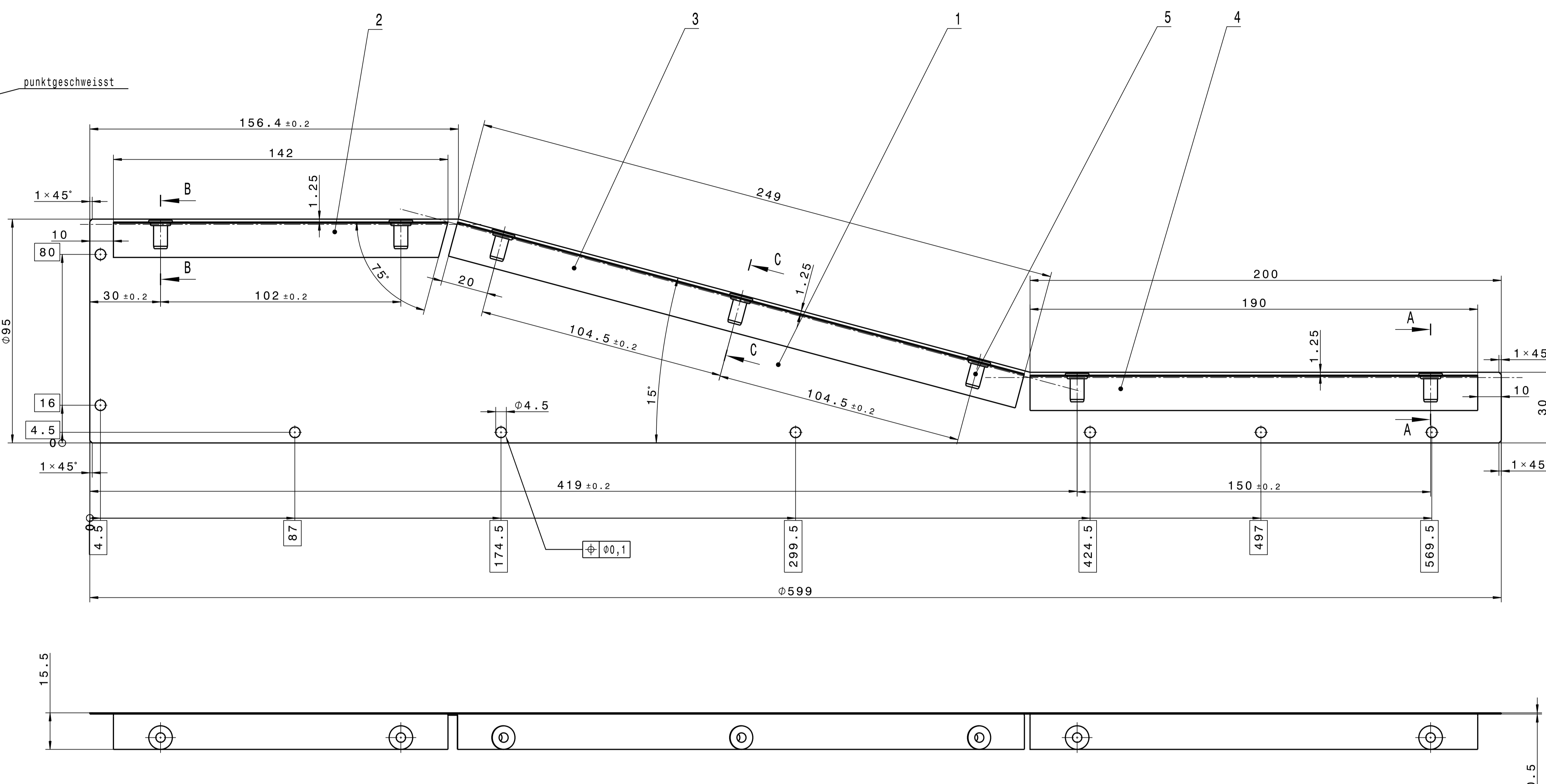
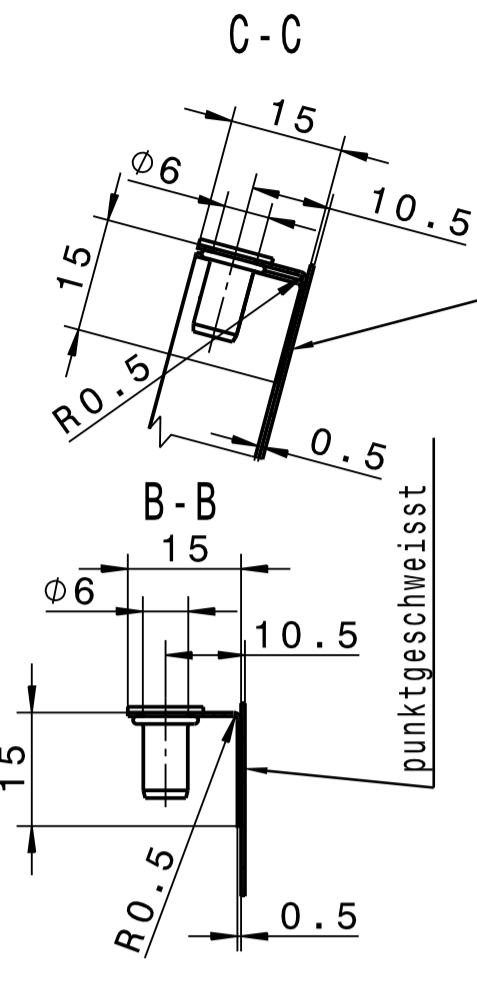
Oberfläche schwarz matt lackiert

RZ 25

DESIGNED BY: HIT-SD	HIT	I	-
DATE: 12/3/2015		H	-
CHECKED BY:		G	-
DATE:		F	-
SIDE: A1	Seitenteil rechts	E	-
SCALE: 1:1		D	-
RECHT (TYP):	DRAWING NUMBER: 0,22	C	-
	DATE: 03.05.05.00	B	-
	SHEET: 1/1	A	-

This drawing is our property; it can't be reproduced or communicated without our written agreement.

Copying of this Document, and giving it to others and the use of communication of the contents thereof, are forbidden without express authority. Offenders are liable to the payment of damages. All rights are reserved in the event of the grant of a patent or the registration of a utility model or design.					Rev. No.	Rev.-Doc.-No.	Date	Name	
HIT			Date	Name	Seitenteil rechts				
			Drawn	24.09.2015					HIT-SD
			Checked						
			Approved			Drawing No.	03.05.05.00		Rev.
						Prev. Dwg.	Repl. for		
Item	Qty.	Description	Drawing No.	Dimensions (finished part)	Standard / Source of supply	Material	Remark		
1	1	Blech Teil 1		599x95x0,5		1.4301 (X5CrNi18-10)			
2	1	Blech Teil 2		15x15x0,5x142		1.4301 (X5CrNi18-10)			
3	1	Blech Teil 3		15x15x0,5x249		1.4301 (X5CrNi18-10)			
4	1	Blech Teil 4		15x15x0,5x190		1.4301 (X5CrNi18-10)			
5	7	Blindnietmutter 23320040030		M4	Fa. Böllhof	1.4301			
6									
7									
8									
9									
10									
11									
12									
13									
14									
15									
16									

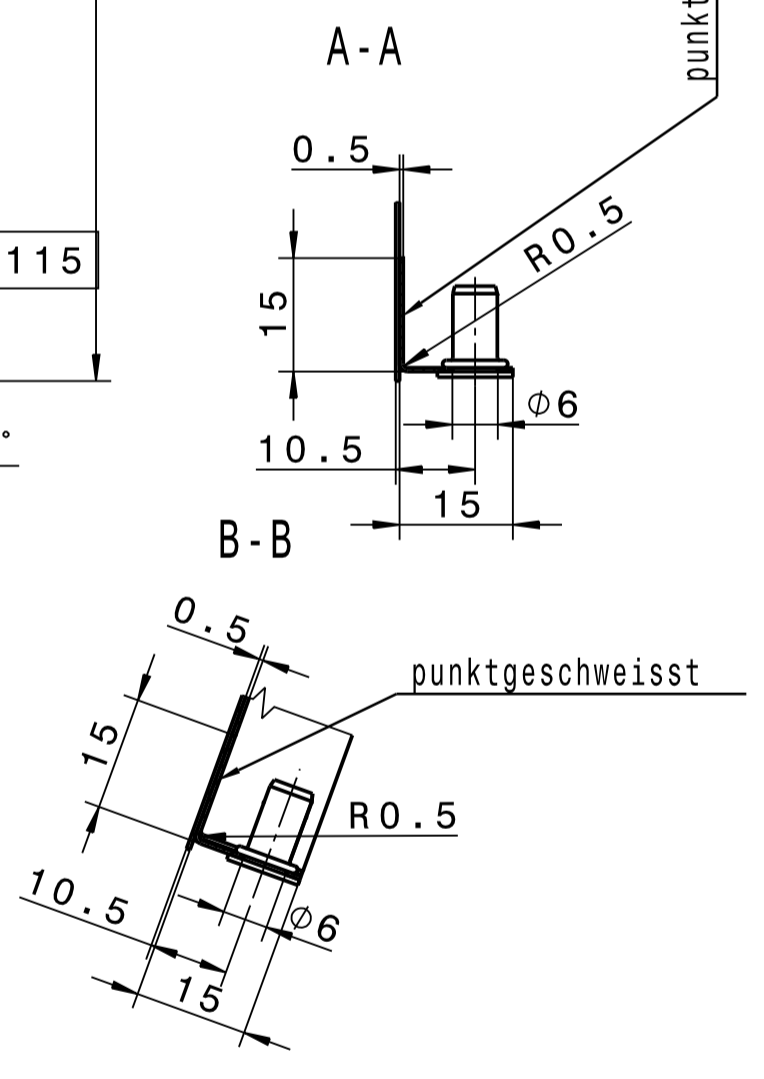
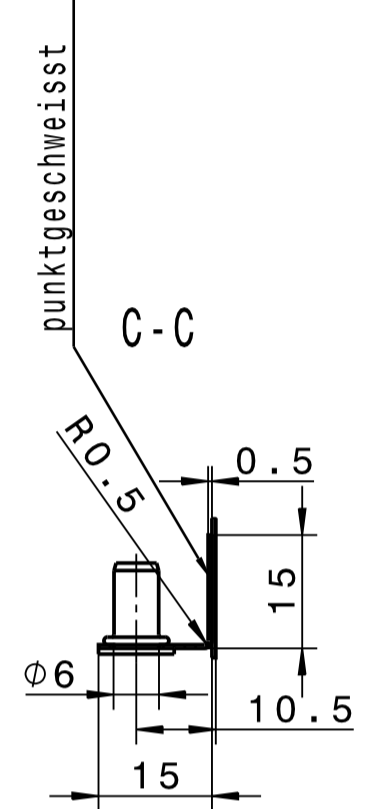
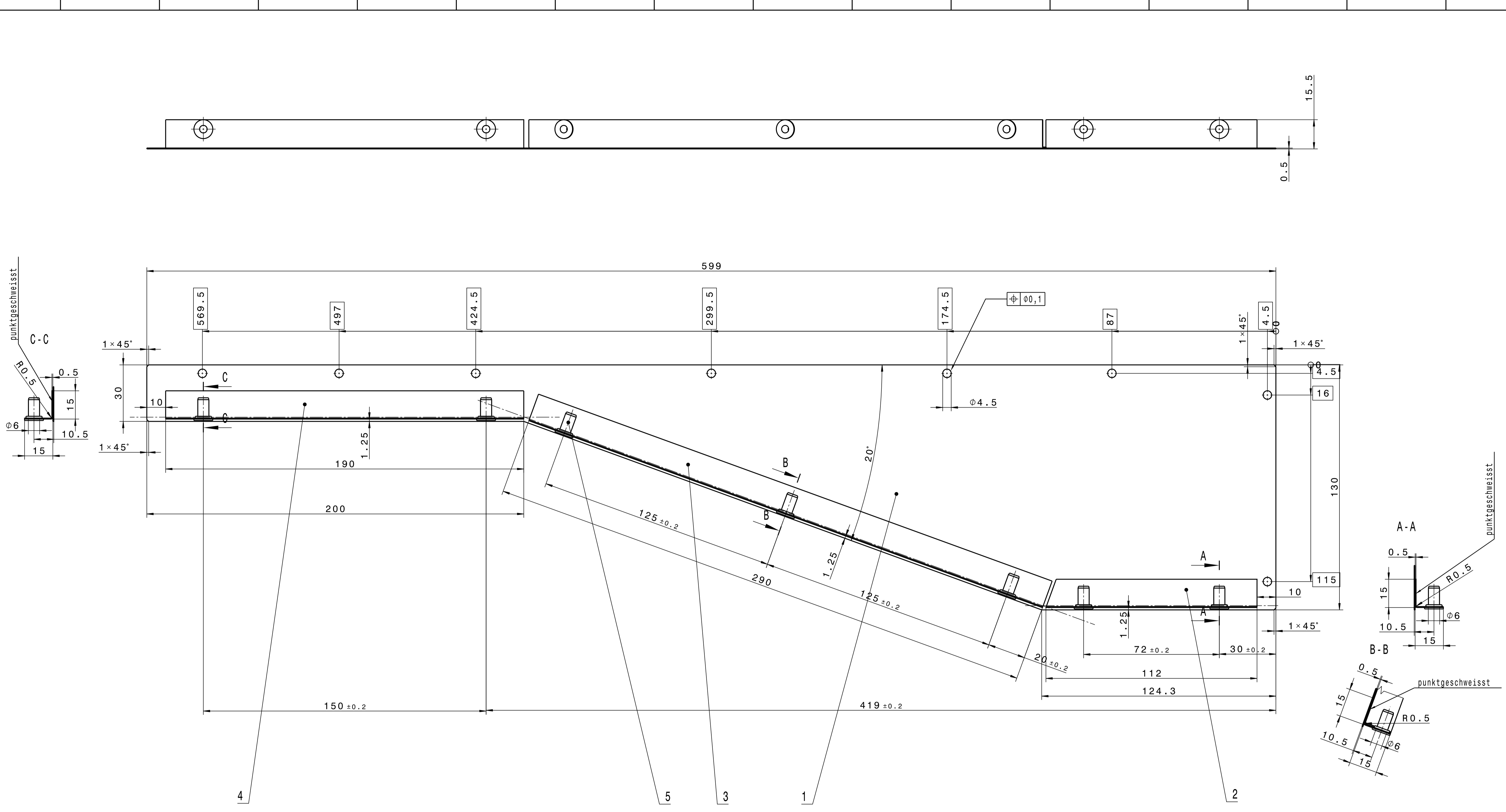


$\sqrt{Rz\ 25}$

Oberfläche schwarz matt lackiert

DESIGNED BY:	HIT-SD	HIT	I	-
DATE:	12/3/2015		H	-
CHECKED BY:			G	-
DATE:		F	-	
SIDE:	A1	Seitenteil links	E	-
SCALE:	1:1		D	-
RECHT (kg)	0.22	03.05.06.00	C	-
DRAWING NUMBER			B	-
			A	-
SHEET			1/1	

Copying of this Document, and giving it to others and the use of communication of the contents thereof, are forbidden without express authority. Offenders are liable to the payment of damages. All rights are reserved in the event of the grant of a patent or the registration of a utility model or design.					Rev. No.	Rev.-Doc.-No.	Date	Name		
HIT			Date	Name	Description Seitenteil links					
			Drawn	24.09.2015					HIT-SD	
			Checked							
			Approved			Drawing No.	03.05.06.00			Rev.
						Prev. Dwg.	Repl. for			
Item	Qty.	Description	Drawing No.	Dimensions (finished part)	Standard / Source of supply	Material	Remark			
1	1	Blech Teil 11		599x95x0,5		1.4301 (X5CrNi18-10)				
2	1	Blech Teil 12		15x15x0,5x142		1.4301 (X5CrNi18-10)				
3	1	Blech Teil 13		15x15x0,5x249		1.4301 (X5CrNi18-10)				
4	1	Blech Teil 14		15x15x0,5x190		1.4301 (X5CrNi18-10)				
5	7	Blindnietmutter 23320040030		M4	Fa. Böllhof	1.4301				
6										
7										
8										
9										
10										
11										
12										
13										
14										
15										
16										



Oberfläche schwarz matt lackiert

√ Rz 25

DESIGNED BY: HIT-SD	HIT	I	-
DATE: 12/3/2015		H	-
CHECKED BY:		G	-
DATE:		F	-
SCALE: 1:1	Seitenteil rechts unten	E	-
RECHT (TYP):		D	-
DRAWING NUMBER:		C	-
SHEET: 03.05.07.00		B	-
		A	-

1/1

This drawing is our property; it can't be reproduced or communicated without our written agreement.

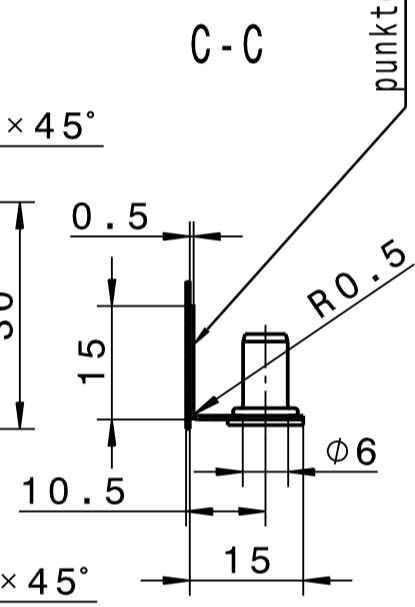
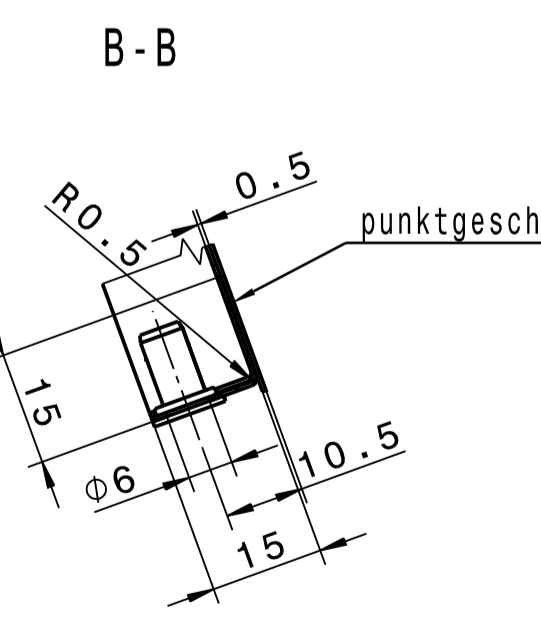
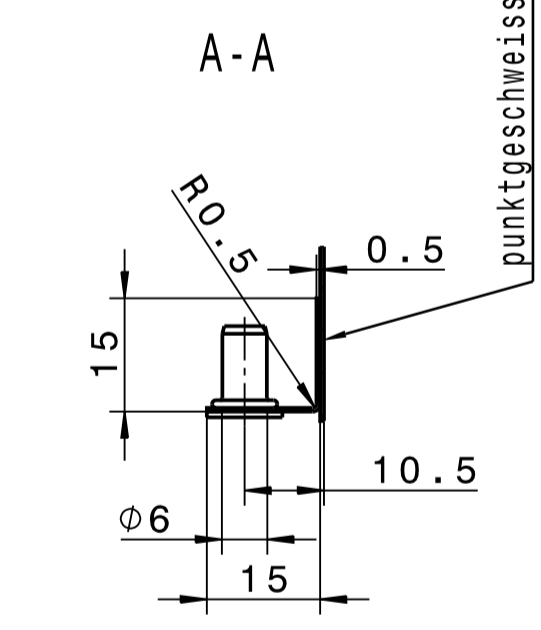
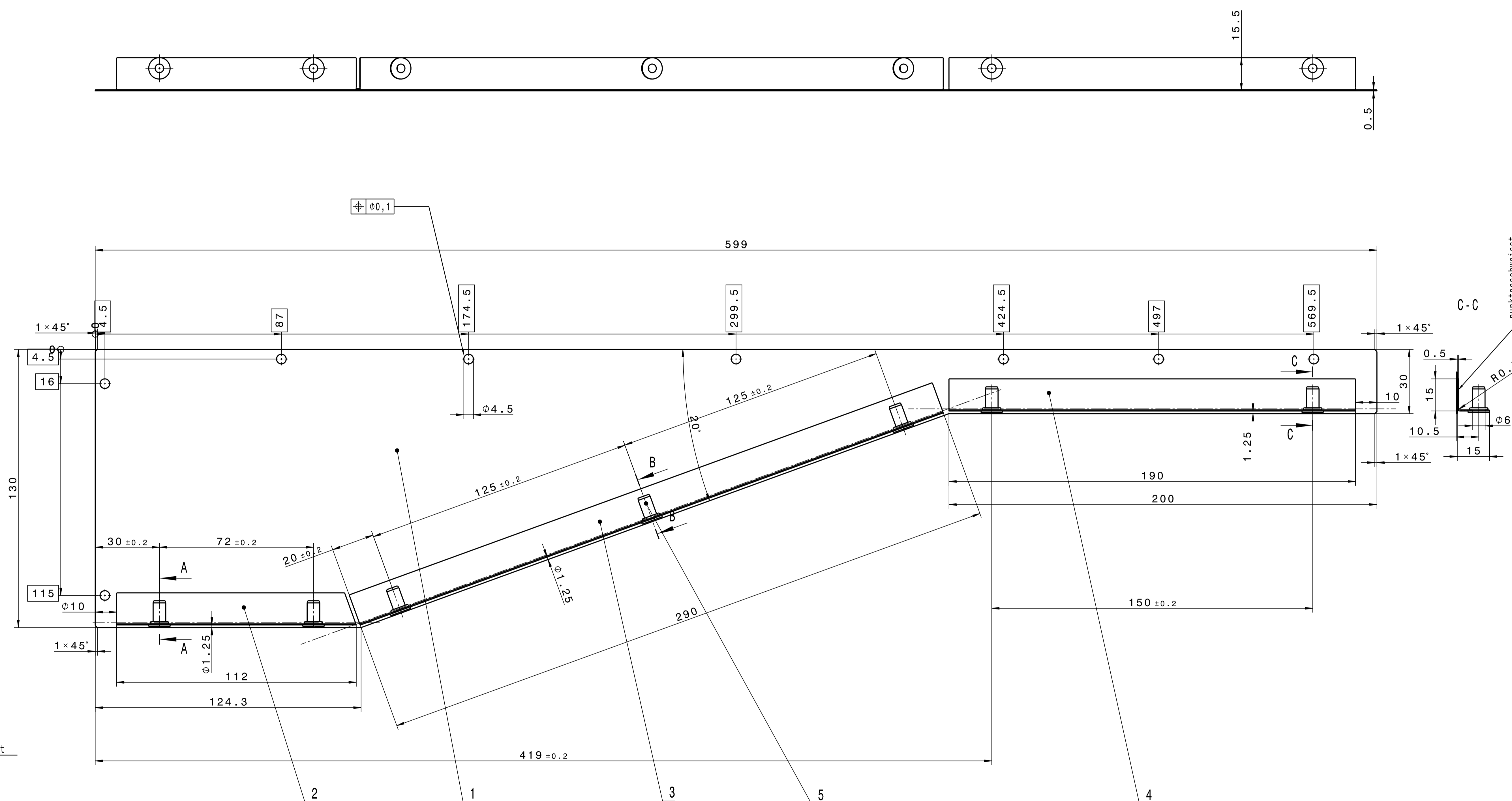
Copying of this Document, and giving it to others and the use of communication of the contents thereof, are forbidden without express authority. Offenders are liable to the payment of damages. All rights are reserved in the event of the grant of a patent or the registration of a utility model or design.			Rev. No.	Rev.-Doc.-No.	Date	Name

HIT		Date	Name	Seitenteil rechts unten			
	Drawn	25.09.2015	HIT-SD				
	Checked						
	Approved			Drawing No.	03.05.07.00		Rev.

Item	Qty.	Description	Drawing No.	Dimensions (finished part)	Standard / Source of supply	Material	Remark
1	1	Blech Teil 21		599x130x0,5		1.4301 (X5CrNi18-10)	
2	1	Blech Teil 22		15x15x0,5x112		1.4301 (X5CrNi18-10)	
3	1	Blech Teil 23		15x15x0,5x290		1.4301 (X5CrNi18-10)	
4	1	Blech Teil 24		15x15x0,5x190		1.4301 (X5CrNi18-10)	
5	7	Blindnietmutter 23320040030		M4	Fa. Böllhof	1.4301	
6							
7							
8							
9							
10							
11							
12							
13							
14							
15							
16							

P O N M L K J I H G F E D C B A

8 7 6 5 4 3 2 1



Oberfläche schwarz matt lackiert Rz 25

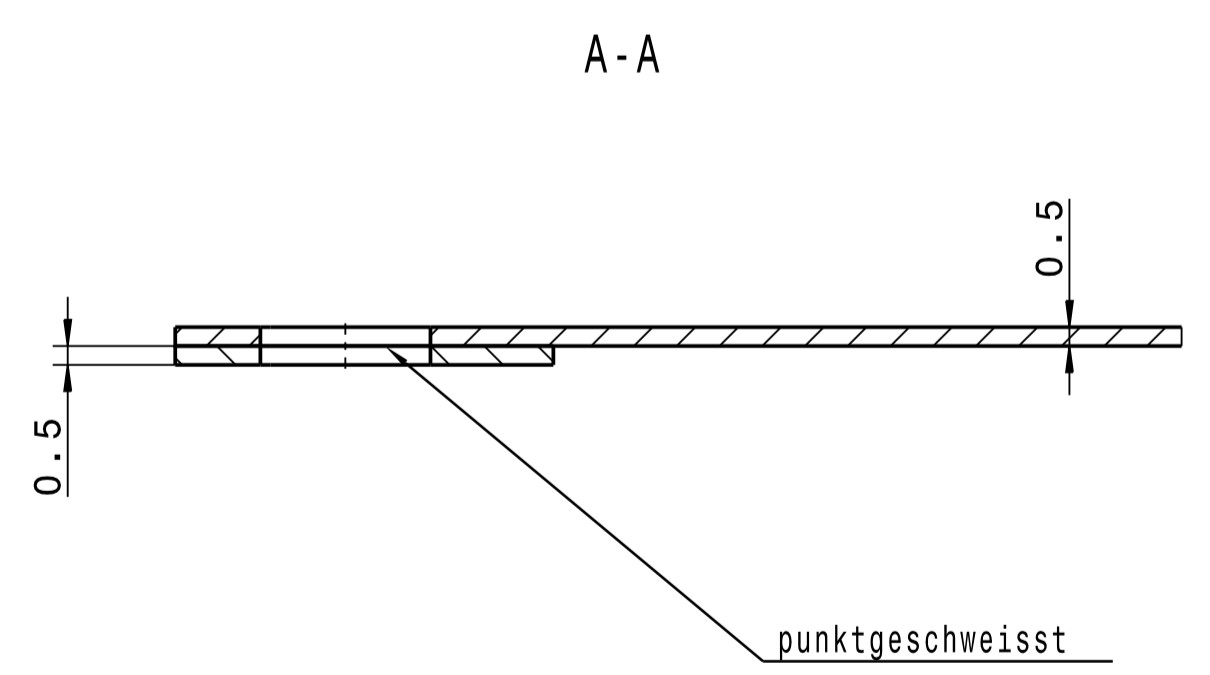
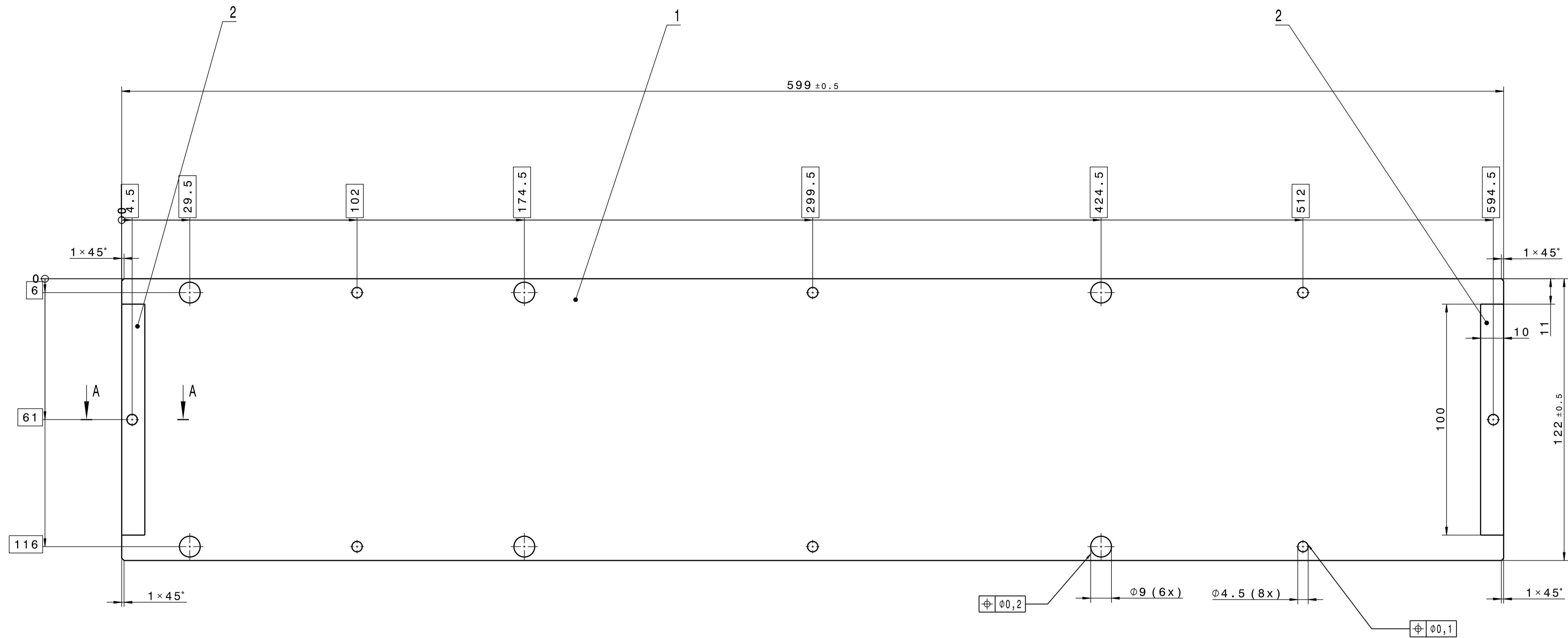
DESIGNED BY: HIT-SD	HIT	I	-
DATE: 12/3/2015		H	-
CHECKED BY:		G	-
DATE:		F	-
		E	-
SIDE A1	Seitenteil links unten	D	-
SCALE 1:1		C	-
HEIGHT (mm) 0.25	03.05.08.00	B	-
DRAWING NUMBER		A	-
		SHEET 1/1	

P O N M L K J I H G F E D C B A

Copying of this Document, and giving it to others and the use of communication of the contents thereof, are forbidden without express authority. Offenders are liable to the payment of damages. All rights are reserved in the event of the grant of a patent or the registration of a utility model or design.			Rev. No.	Rev.-Doc.-No.	Date	Name

HIT		Date	Name	Seitenteil links unten			
	Drawn	25.09.2015	HIT-SD				
	Checked						
	Approved			Drawing No.	03.05.08.00		Rev.

Item	Qty.	Description	Drawing No.	Dimensions (finished part)	Standard / Source of supply	Material	Remark
1	1	Blech Teil 31		599x130x0,5		1.4301 (X5CrNi18-10)	
2	1	Blech Teil 32		15x15x0,5x112		1.4301 (X5CrNi18-10)	
3	1	Blech Teil 33		15x15x0,5x290		1.4301 (X5CrNi18-10)	
4	1	Blech Teil 34		15x15x0,5x190		1.4301 (X5CrNi18-10)	
5	7	Blindnietmutter 23320040030		M4	Fa. Böllhof	1.4301	
6							
7							
8							
9							
10							
11							
12							
13							
14							
15							
16							



Oberflächen schwarz matt lackiert
 Kanten ISO 13715 $\begin{matrix} +0.3 \\ -0.1 \end{matrix}$ $\sqrt{Rz 25}$

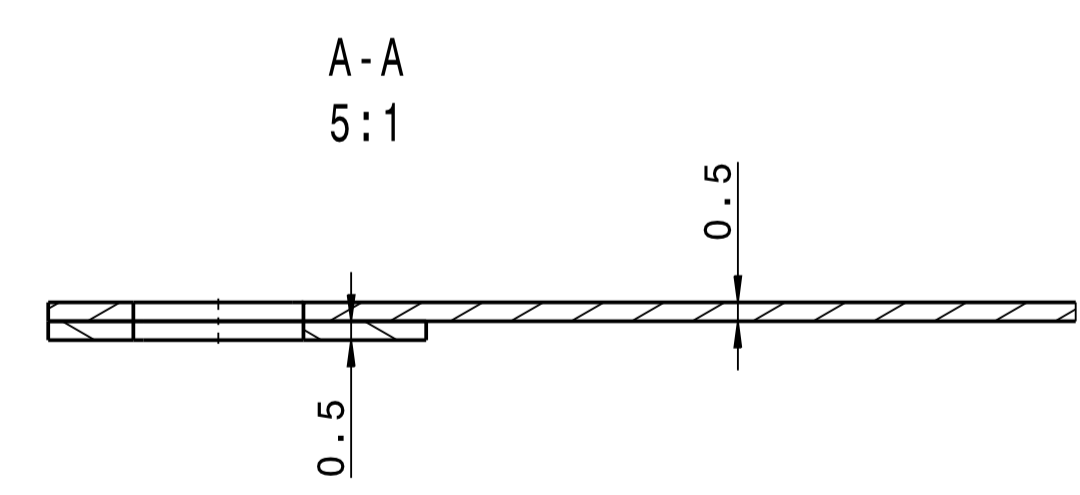
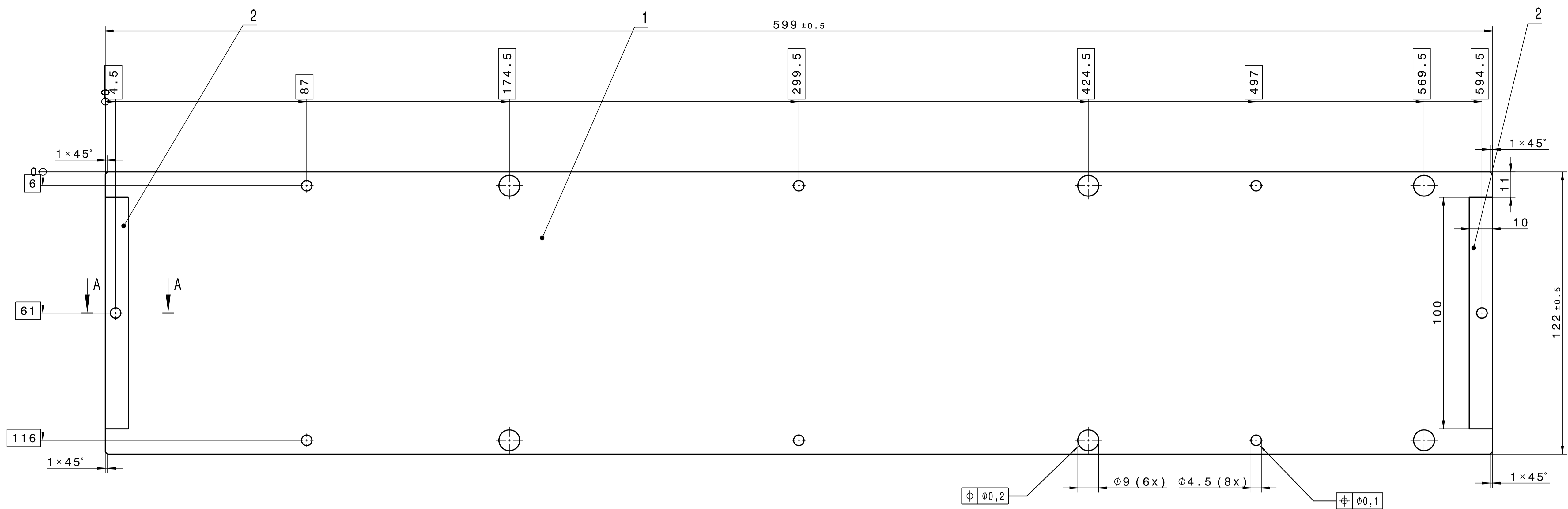
DESIGNED BY: HIT-SD	HIT	I	-
DATE: 12/3/2015		H	-
CHECKED BY:		G	-
DATE:		F	-
		E	-
SIDE A1		D	-
SCALE 1:1 (5:1)	HEIGHT (mm) 0.29	C	-
DRAWING NUMBER 03.05.09.00		B	-
		A	-
SHEET 1/1			

This drawing is our property; it can't be reproduced or communicated without our written agreement.

Copying of this Document, and giving it to others and the use of communication of the contents thereof, are forbidden without express authority. Offenders are liable to the payment of damages. All rights are reserved in the event of the grant of a patent or the registration of a utility model or design.

HIT		Date	Name	Description		
	Drawn	16.10.2015	HIT-SD	Baugruppe Seitenteil rechts		
	Checked					
	Approved			Drawing No.		Rev.
				03.05.09.00		
				Prev. Dwg.	Repl. for	

Item	Qty.	Description	Drawing No.	Dimensions (finished part)	Standard / Source of supply	Material	Remark
1	1	Seitenteil rechts		599x122x0,5		1.4301 (X5CrNi18-10)	
2	2	Streifen		100x10x0,5		1.4301 (X5CrNi18-10)	
3							
4							
5							
6							
7							
8							
9							
10							
11							
12							
13							
14							
15							
16							



Oberflächen schwarz matt lackiert

Kanten ISO 13715 $\begin{matrix} +0.3 \\ -0.1 \end{matrix}$

$\sqrt{Rz 25}$

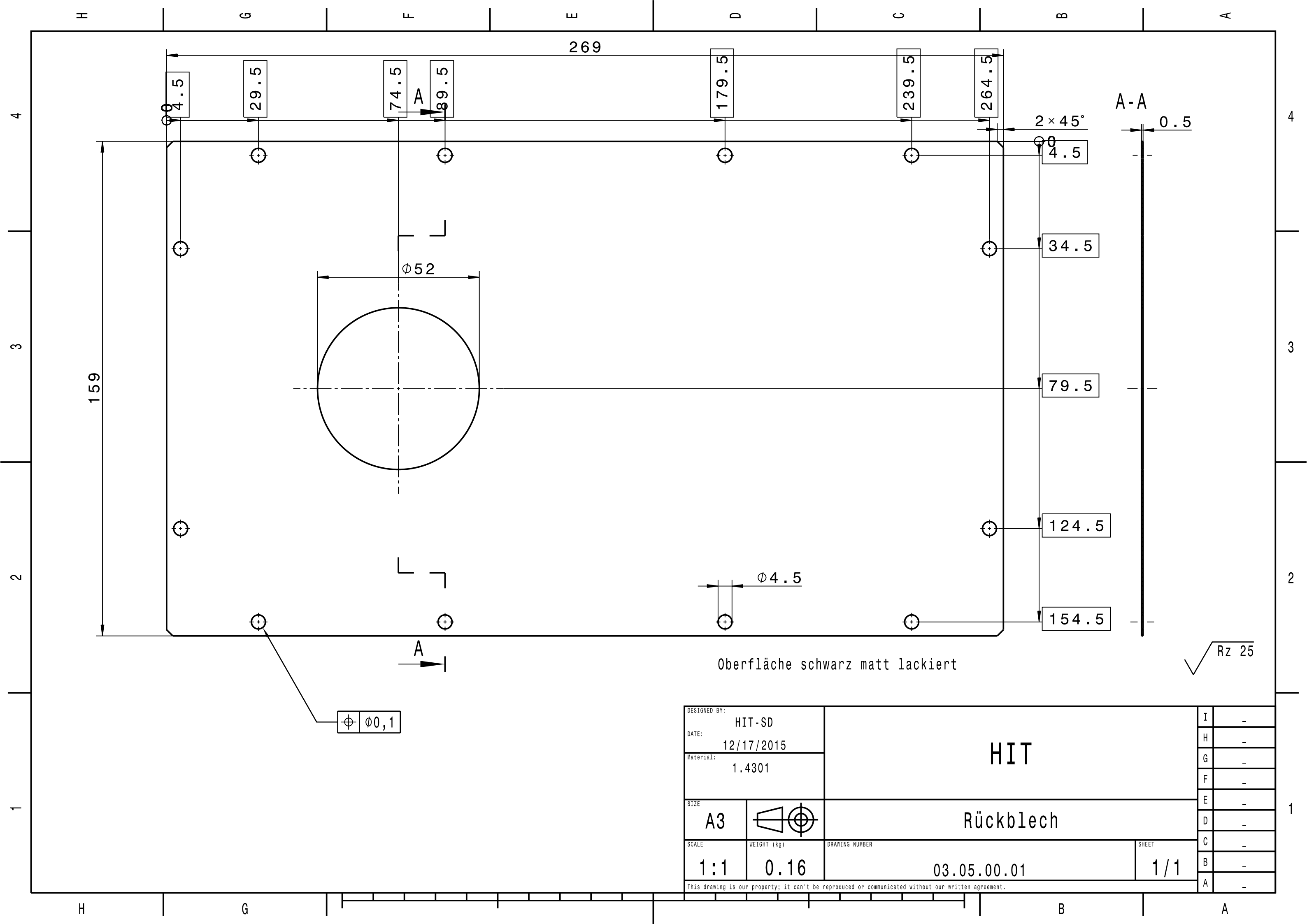
DESIGNED BY:	HIT-SD	HIT	I	-
DATE:	12/3/2015		H	-
CHECKED BY:			G	-
DATE:		F	-	
SIDE:	A1	Baugruppe Seitenteil links	E	-
SCALE:	1:1		D	-
HEIGHT (mm):	0,29		C	-
DRAWING NUMBER:	03.05.10.00		B	-
SHEET:	1/1		A	-

This drawing is our property; it can't be reproduced or communicated without our written agreement.

Copying of this Document, and giving it to others and the use of communication of the contents thereof, are forbidden without express authority. Offenders are liable to the payment of damages. All rights are reserved in the event of the grant of a patent or the registration of a utility model or design.

HIT		Date	Name	Description		
	Drawn	16.10.2015	HIT-SD	Baugruppe Seitenteil links		
	Checked					
	Approved			Drawing No.		Rev.
				03.05.10.00		
	Prev. Dwg.			Repl. for		

Item	Qty.	Description	Drawing No.	Dimensions (finished part)	Standard / Source of supply	Material	Remark
1	1	Seitenteil links		599x122x0,5		1.4301 (X5CrNi18-10)	
2	2	Streifen		100x10x0,5		1.4301 (X5CrNi18-10)	
3							
4							
5							
6							
7							
8							
9							
10							
11							
12							
13							
14							
15							
16							



159

269

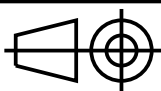
∅52

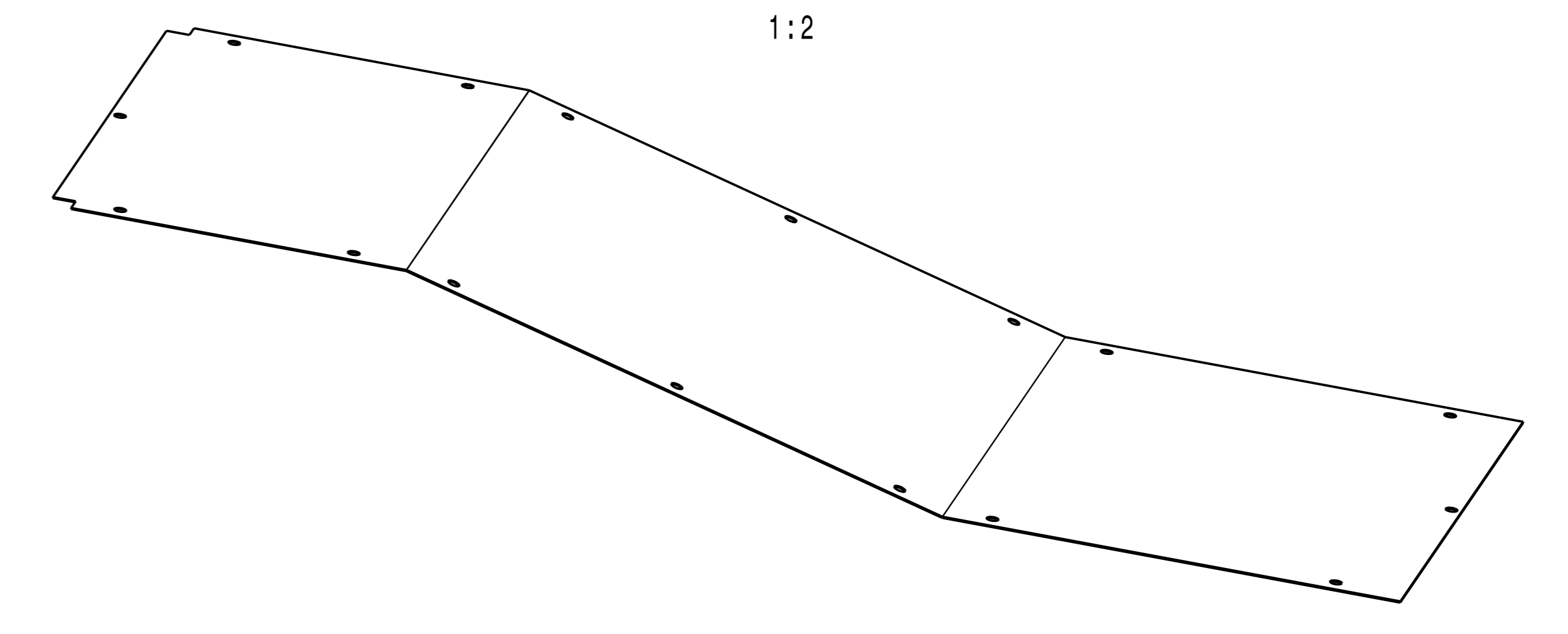
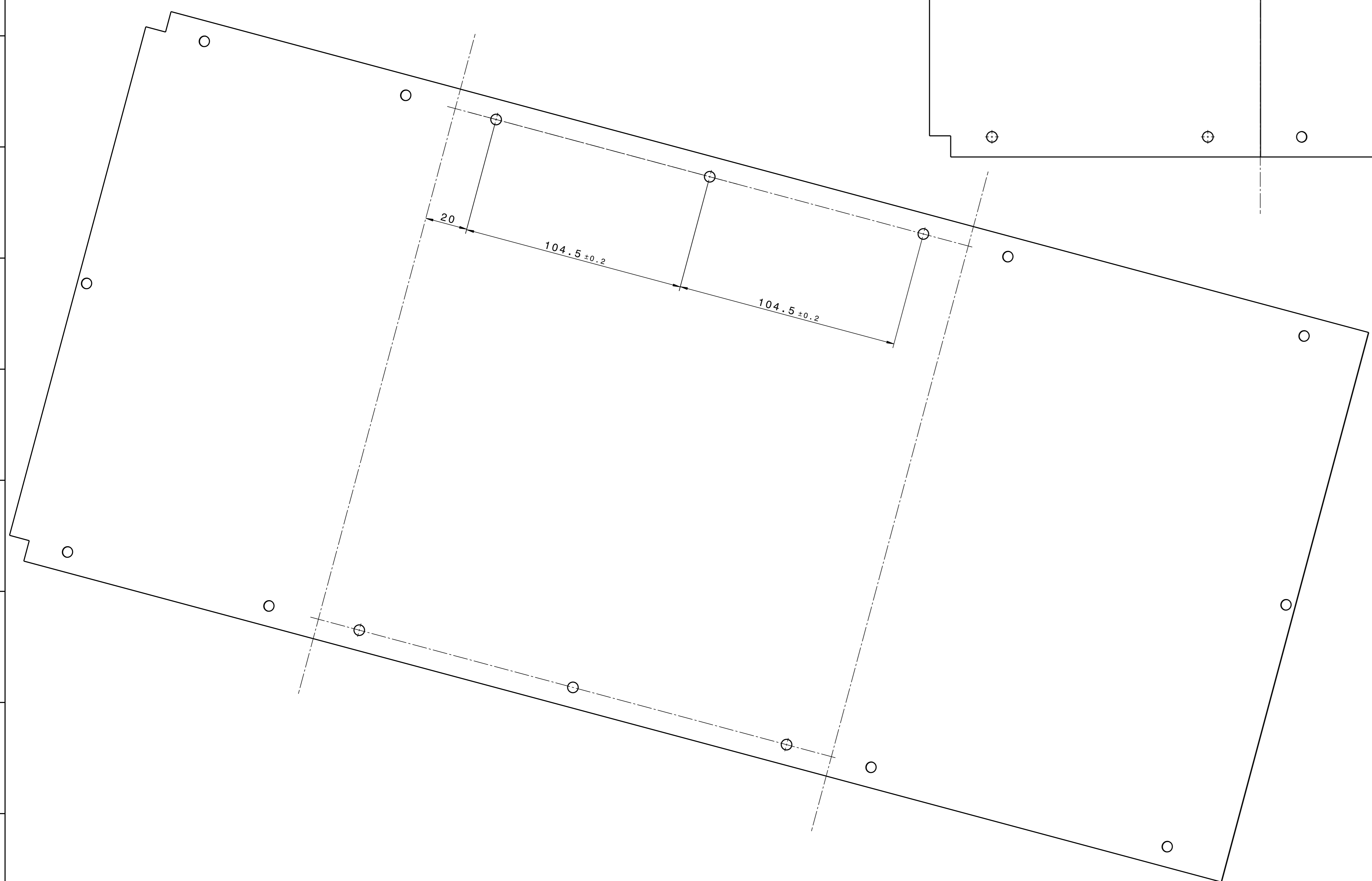
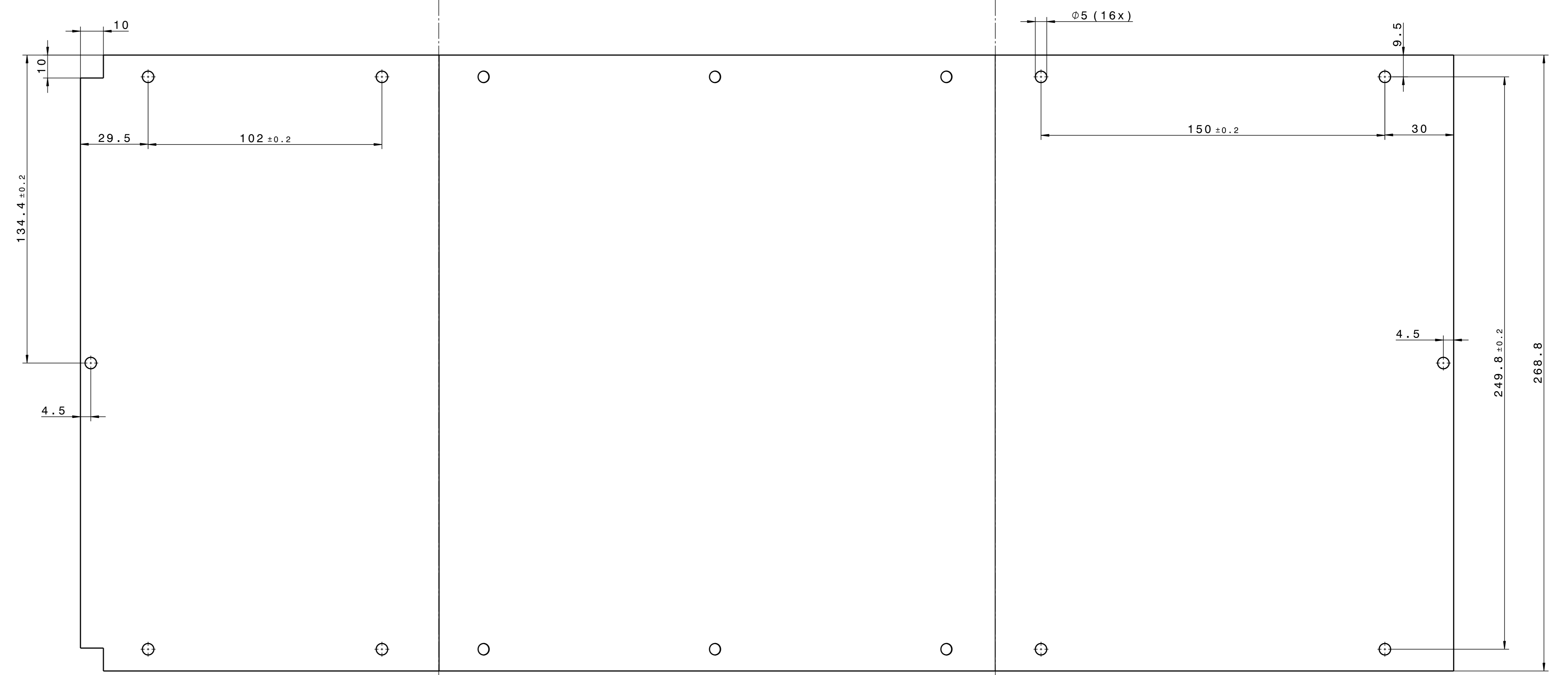
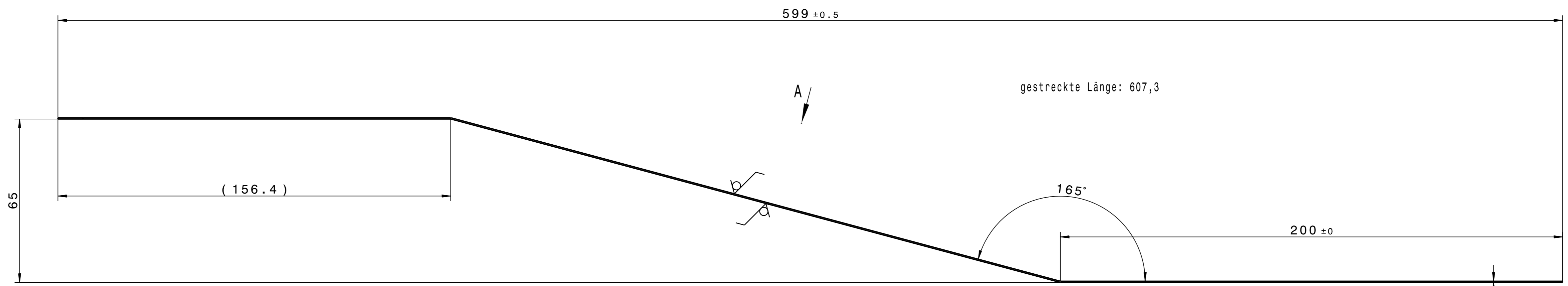
∅4.5

∅0,1

Oberfläche schwarz matt lackiert

Rz 25

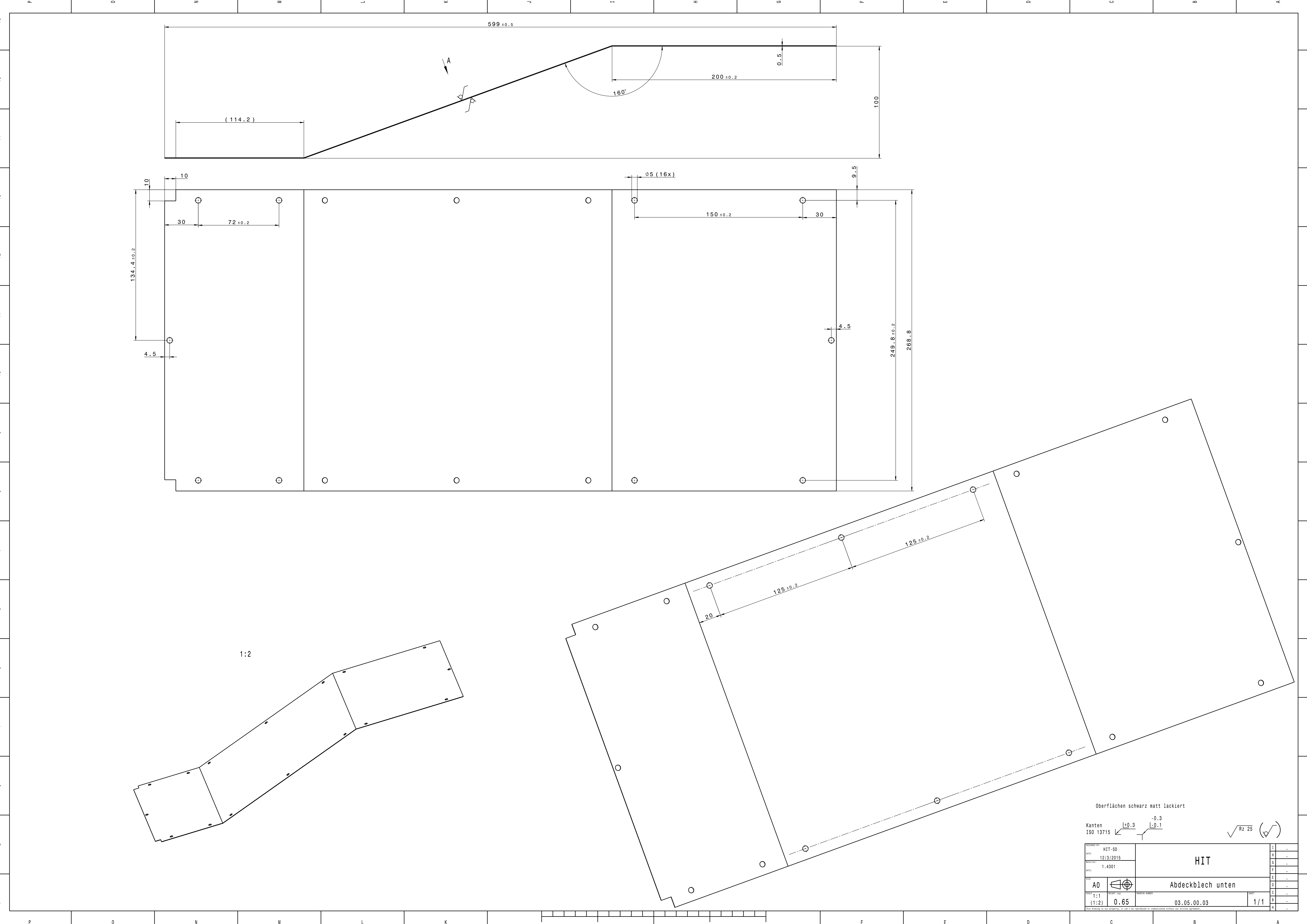
DESIGNED BY: HIT-SD		HIT		I	-
DATE: 12/17/2015				H	-
Material: 1.4301				G	-
SIZE A3		Rückblech		F	-
SCALE 1:1				E	-
WEIGHT (kg) 0.16	DRAWING NUMBER 03.05.00.01	D	-	C	-
		SHEET 1/1		B	-
This drawing is our property; it can't be reproduced or communicated without our written agreement.				A	-



Oberfläche schwarz matt lackiert
 Kanten ISO 13715

$\sqrt{Rz 25}$

PROJEKT NR:	HIT-SD	HIT		1	-
DATE:	12/3/2015			2	-
REVISION:	1.4301			3	-
ZEICHNUNG:	A0	Abdeckblech oben		4	-
MASSSTAB:	1:1	DRUCK:	0.64	DRUCK NR:	03.05.00.02
	(1:2)				1/1
This drawing is the property of the company and is not to be reproduced or disseminated without the written agreement.					



Oberflächen schwarz matt lackiert
 Kanten ISO 13715 $\sqrt{Rz 25}$ $\begin{pmatrix} \checkmark \end{pmatrix}$

PROJEKT NR.: HIT-SD		DATE: 12/3/2015		HIT	
REVISION: 1.4301		DATE:			
TITLE: A0		DRAWING NO.: 03.05.00.03			
SCALE: 1:1 (1:2)		SHEET: 0.65		DATE: 1/1	

This drawing is the property of its creator. It shall be reproduced or disseminated without the written approval.