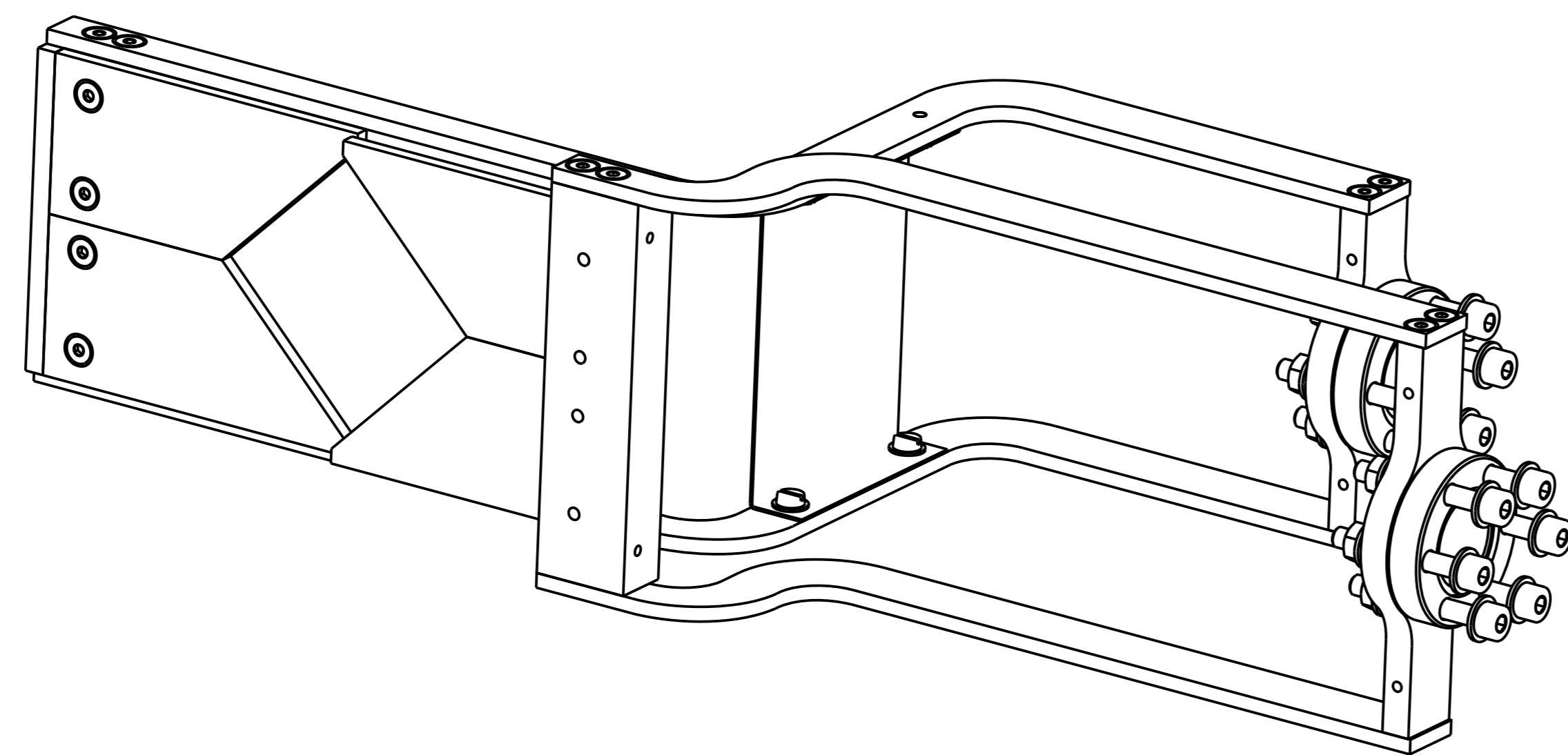


1:1



<small>Copyright of this document and giving it to others and the use of communication of the contents thereof are forbidden without express authority. Offenders are liable to the payment of damages. All rights are reserved in the event of the grant of a patent or the registration of a utility or design.</small>		<b>Projection</b> 	Rev. No. Rev.-Doc.-No. Date Name
Surfaces 328 100 1000	<b>For information</b>		
Dimensions without tolerance indicated DIN ISO 2768-MS EN ISO 15000-01	Weight Material	Scale 2:1 (1:1)	Size A0
Name Date Name	Drawing No. STD-000-LZX.023.000	Rev. +	Sheet 1 of 1
Drawn 18.11.2012 GBN	Checked Approved	Part No. 22	Inv. No. 23