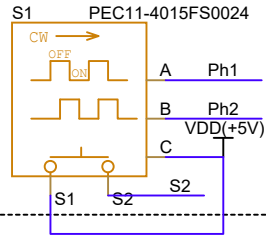
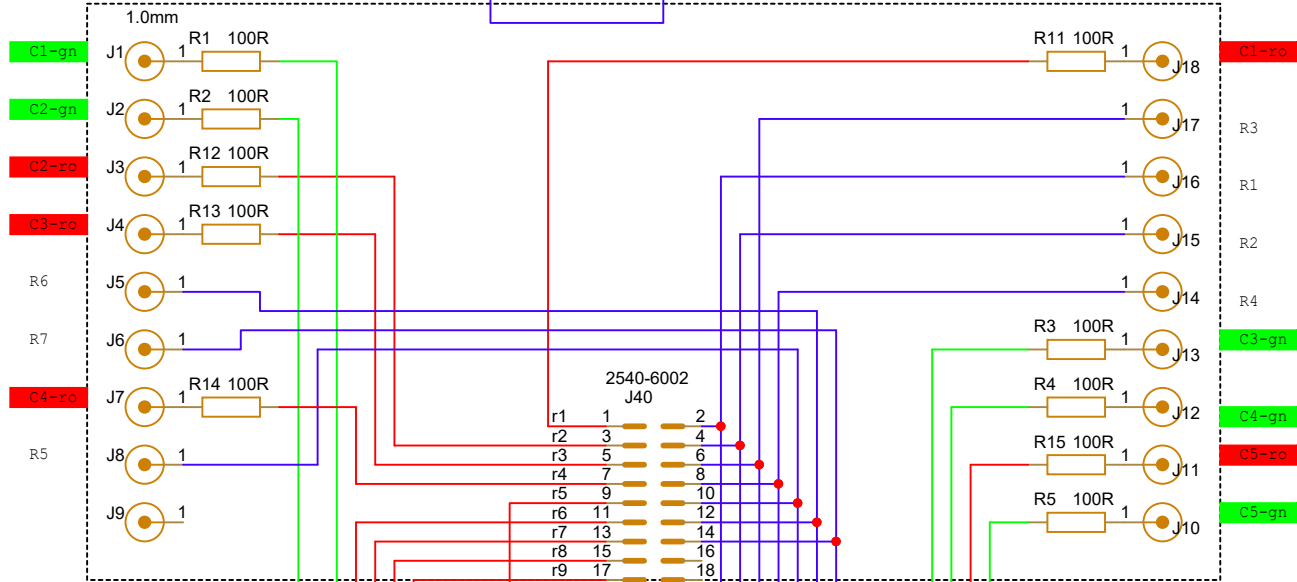


39 mm (< 8 TE)

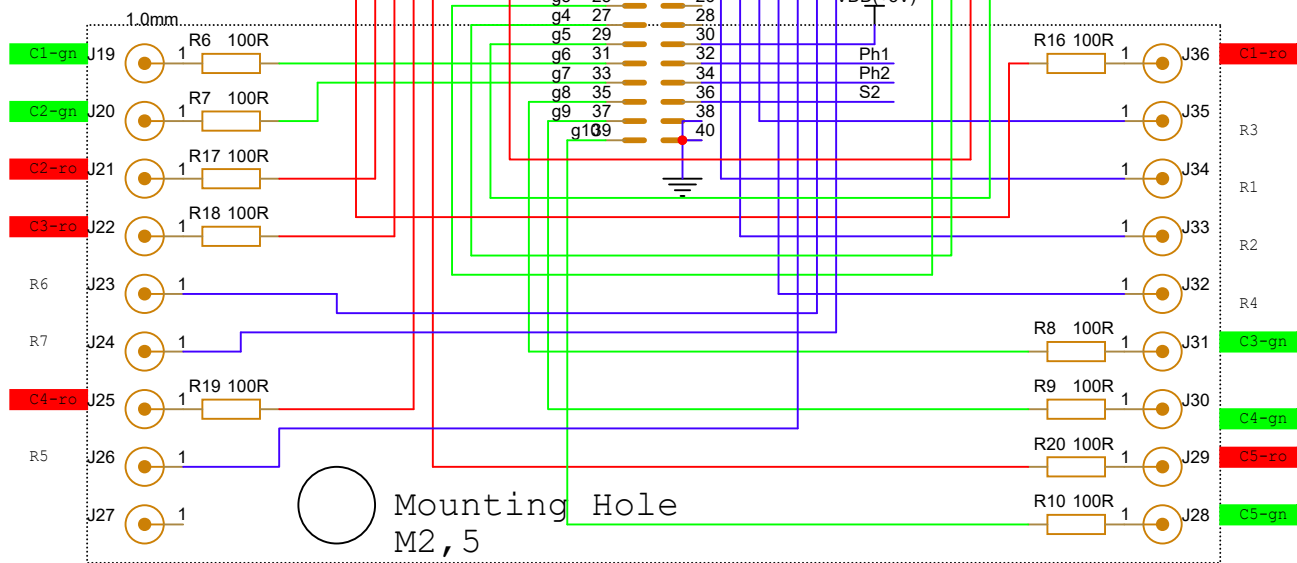


○ Mounting Hole  
M2,5

2x 22,9 mm = 45,18 mm



○ Mounting Hole  
M2,5



○ Mounting Hole  
M2,5

**GSI**

Gesellschaft für Schwerionenforschung mbH  
Planckstrasse 1  
D-64291 Darmstadt  
GERMANY  
www.gsi.de

M21-Front

Design: K:\GSI\JOB\SD\MAPS-2021\M21-FRONT\M21-FRONT.DSN	Size: A4	Page: 1 / 1
Modified: Wednesday, February 09, 2022	Designer: <Designer>	Lavouter: <Lavouter>