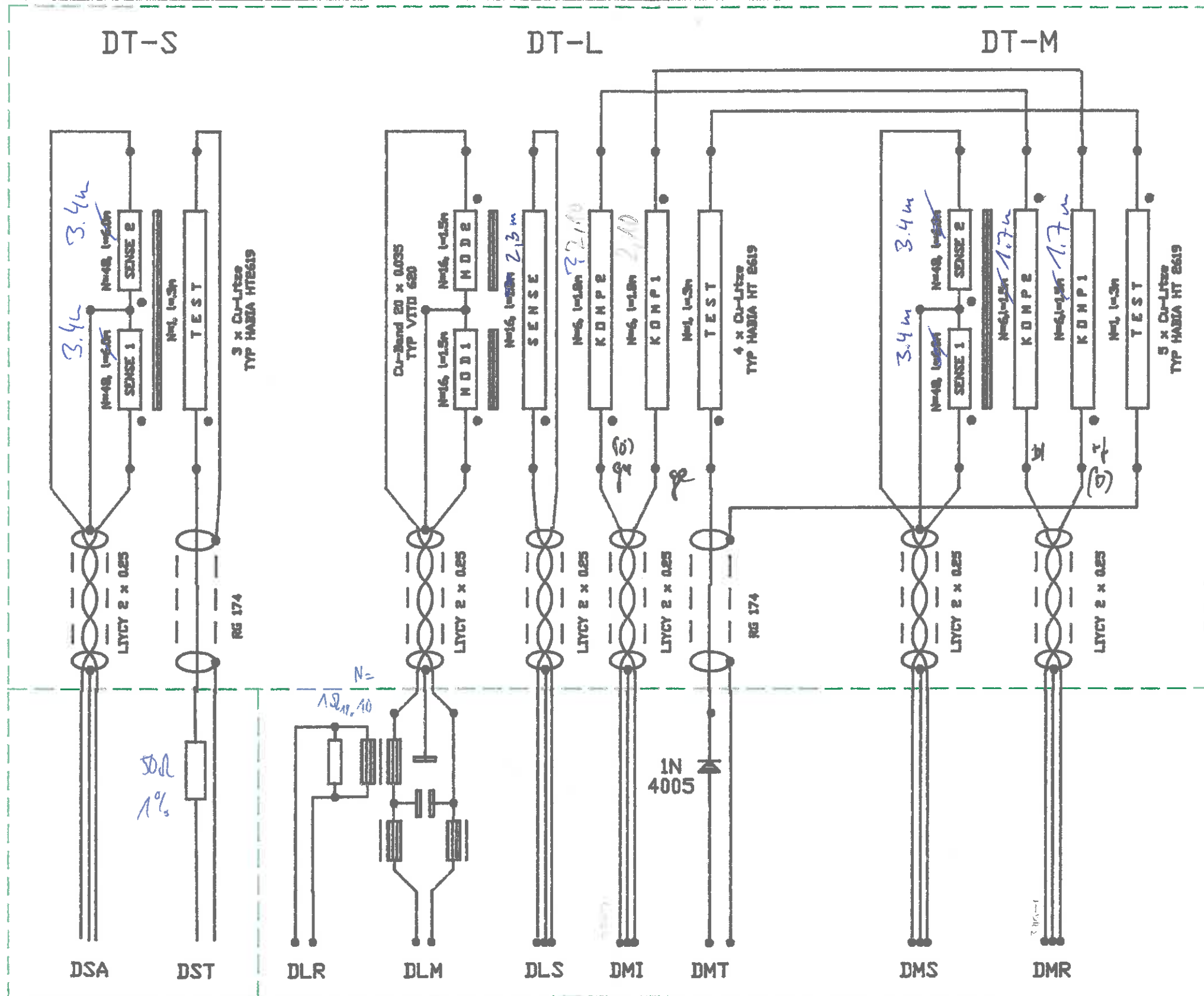


GSI

SIS DT-M/L BEAM CURRENT TRANSFORMER CORE AND HEADBOX INTERCONNECTIONS

4.10.88

NSC/HR



134
736

BNC

Limolp Binder
2 W

Limolp Binder
BNC

Binder
3 M

Binder
3 W