

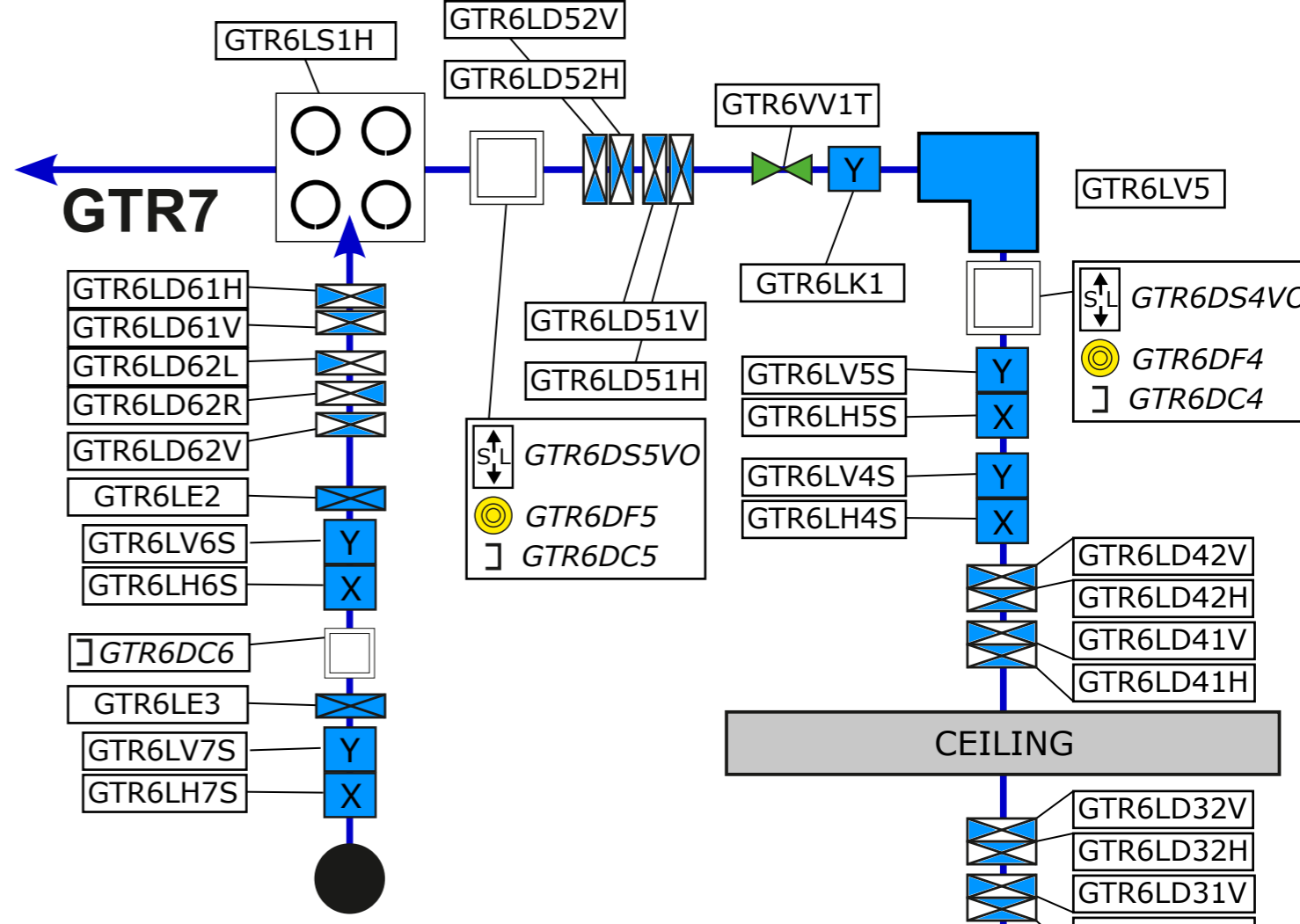
Strahlstecke GTR5/GTR6

V1.2.1: W. Geithner, 16.09.2021

█ Electrostatic Device
█ Magnetic Device

Coordinate orientations
 horizontal

vertical



EBIT - GTR6IT

