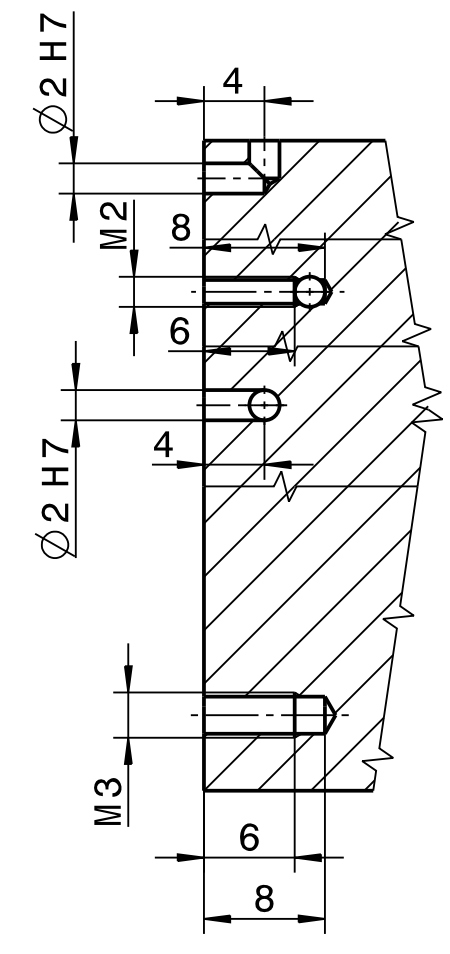
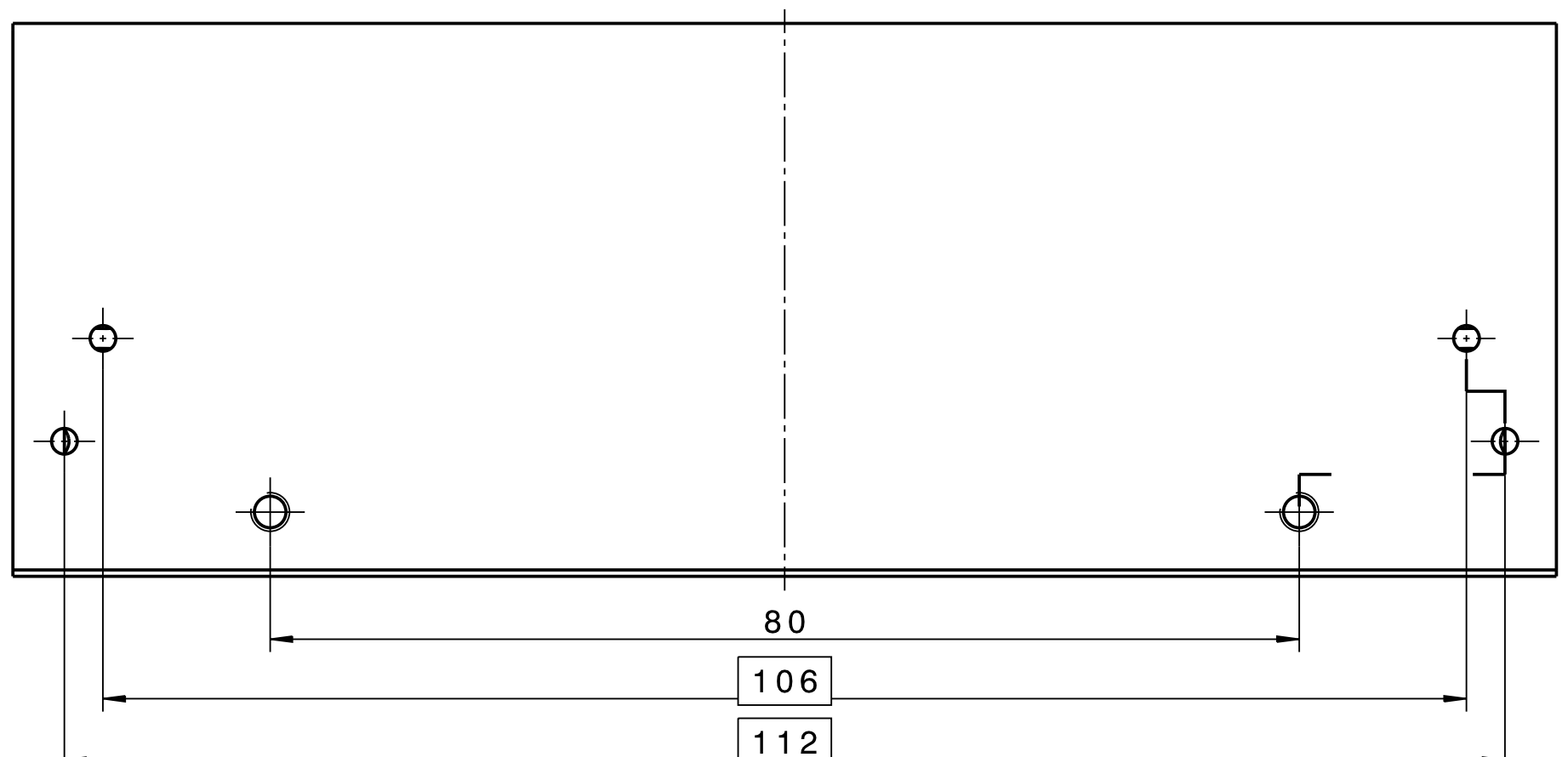
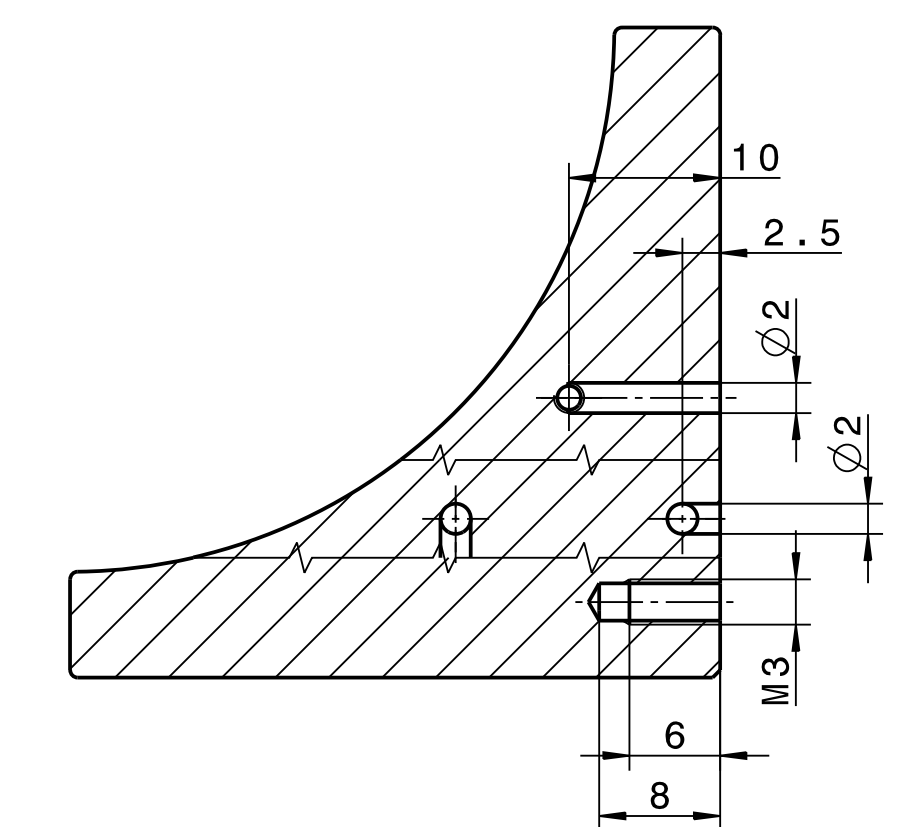


A-A



B-B



ultraschallgereinigt  
elektrolytisch poliert

Kanten ISO 13715  $\begin{matrix} +0.3 \\ -0.1 \end{matrix}$

$\sqrt{Rz\ 6.3}$  ( $\sqrt{Rz\ 1}$ )

Copying of this document and giving it to others and the use of communication of the contents thereof are forbidden without express authority. Offenders are liable to the payment of damages. All rights are reserved in the event of the grant of a patent or the registration of a utility model or design.		Projection	Rev. No.	Rev.-Doc.-No.	Date	Name
			-	-	-	-
Surfaces		For information				
DIN ISO 1302		Dimensions without tolerance indication		Weight	Scale	
HeInholtzzentrum für Schwerionenforschung GmbH Planckstrasse 1, 64291 Darmstadt		DIN ISO 2768-mK EN ISO 13920-BF		AlMgSi0.5F22 o.ä.	2:1	
Drawn	Date	Name	Description			
Checked	26.11.2013	Hartung, M.	Kondensatorplatte aussen			
Approved			Drawing No.	Rev.	Sheet	
			STD-V01-L01.251.006	-	1 of 1	
IP	Prev. Dwg.		Repl. for			