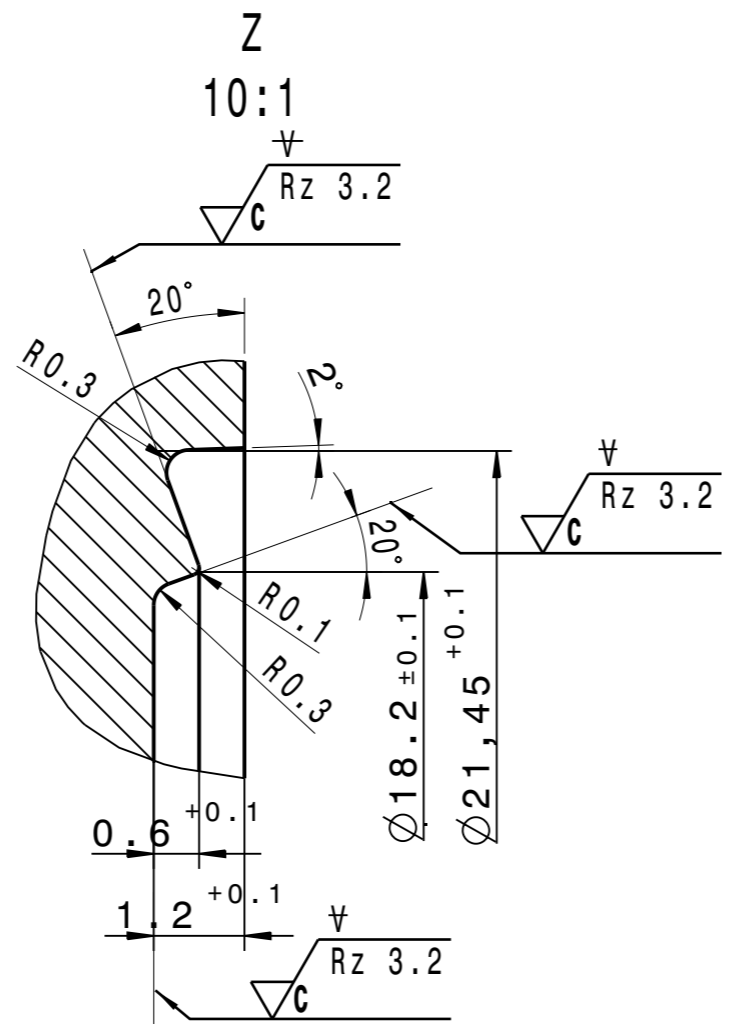
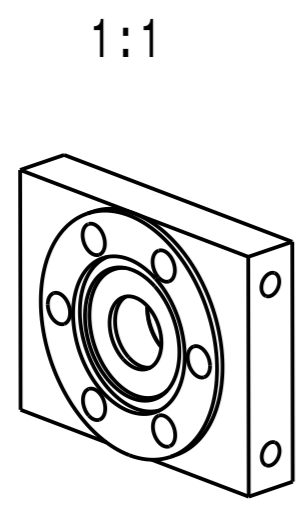
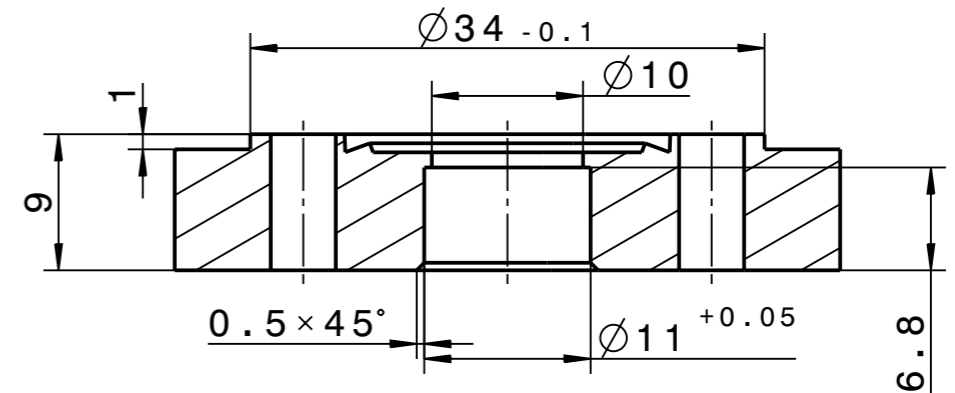
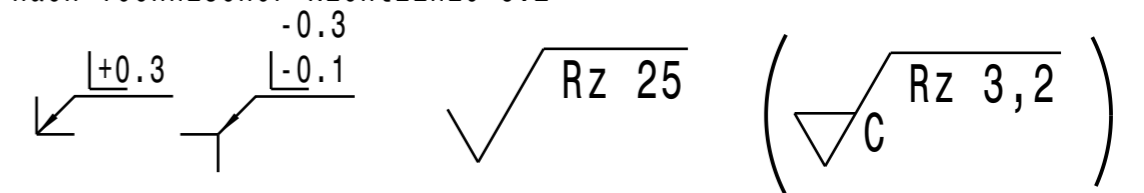


A-A



Reinigung nach Technischer Richtlinie 6.2

Kanten  
ISO 13715



Copying of this document and giving it to others and the use of communication of the contents thereof are forbidden without express authority. Offenders are liable to the payment of damages. All rights are reserved in the event of the grant of a patent or the registration of a utility model or design.		Projection	Rev. No.	Rev.-Doc.-No.	Date	Name
			-			
<b>GSIT</b> Helmholtzzentrum für Schwerionenforschung GmbH Planckstrasse 1, 64291 Darmstadt		Surfaces	For information			
		DIN ISO 1302	Weight	2:1		
Dimensions without tolerance indication DIN ISO 2768-mK EN ISO 13920-BF		Material	1.4306 geschmiedet			(10:1)
		Description	Platte			Size
Drawn	Date	Name	A3			
Checked	07.03.2013	Dorn, C.				
Approved			Description	STD-000-L01.652.001		
IP			Drawing No.	Rev.	Sheet 1 of 1	
			Prev. Dwg. DL 510.010.010	Repl. for		