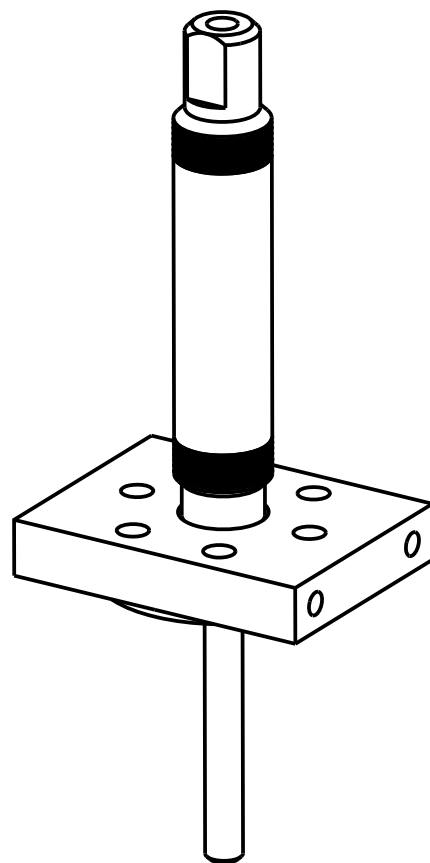


1:1



Vakuumdicht geschweisst.
 Integrale Leckrate $<1 \cdot 10^{-9}$ mbar \cdot l/s
 Reinigung nach Technischer Richtlinie 6.2

Copying of this document and giving it to others and the use of communication of the contents thereof are forbidden without express authority. Offenders are liable to the payment of damages. All rights are reserved in the event of the grant of a patent or the registration of a utility model or design.		Projection 	Rev. No. -	Rev.-Doc.-No. 	Date 	Name
		Surfaces DIN ISO 1302	For information			
 Helmholtzzentrum für Schwerionenforschung GmbH Planckstrasse 1, 64291 Darmstadt		Dimensions without tolerance indication DIN ISO 2768-mK EN ISO 13920-BF	Weight 	Scale 2:1 (1:1)		
		Description Membranbalg Hub 25	Size A3			
Drawn 07.03.2013	Date 	Name Dorn, C.	Drawing No. STD-000-L01.652.000		Rev. -	Sheet 1 of 1
Checked 			Prev. Dwg. DL 510.010.000		Repl. for 	
Approved 						
IP 						