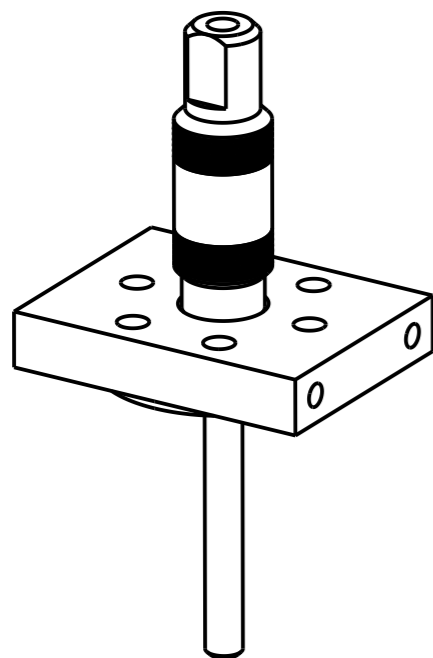
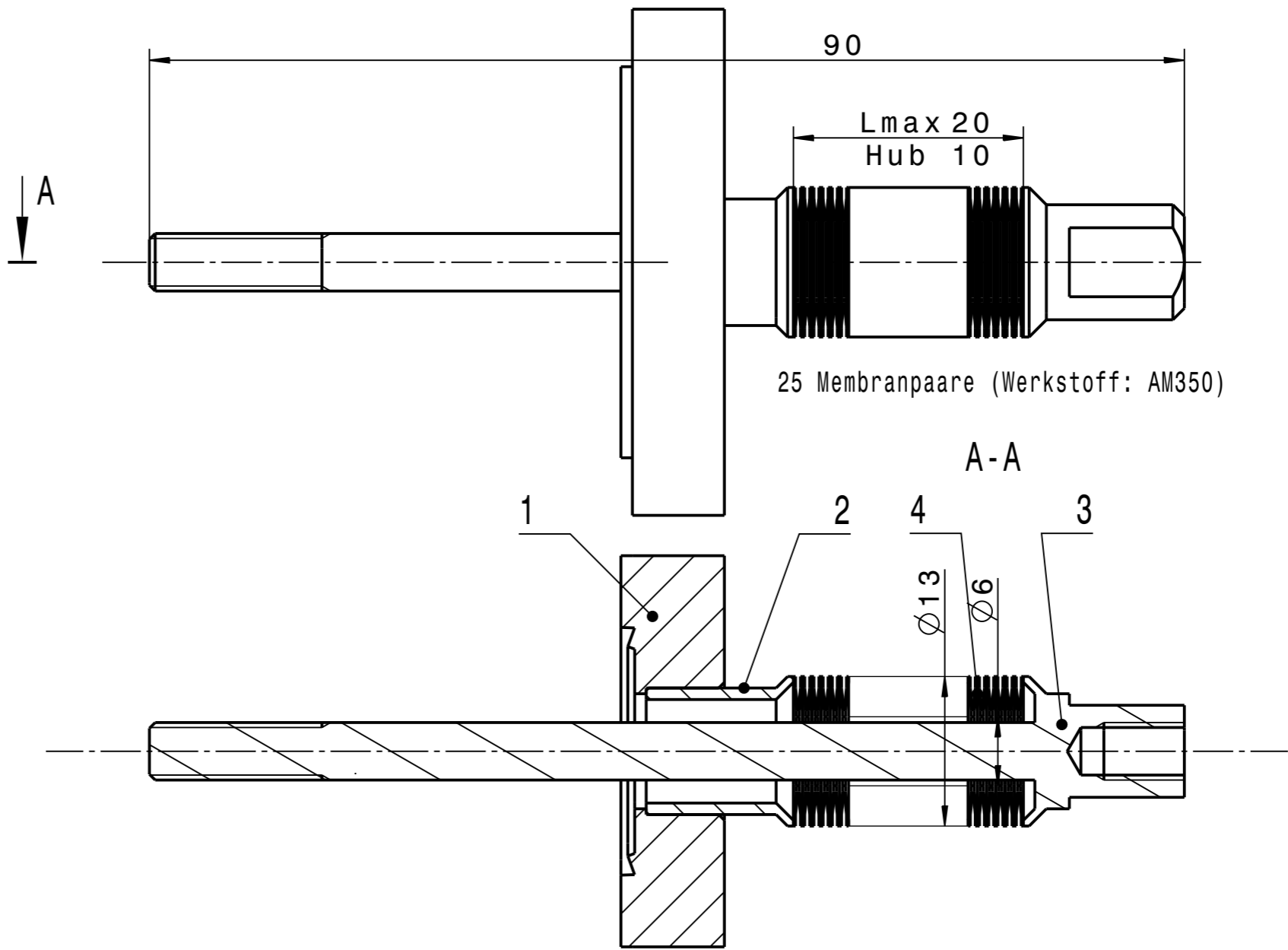


1:1



Vakuumdicht geschweisst.
 Integrale Leckrate $<1 \cdot 10^{-9}$ mbar*1/s
 Reinigung nach Technischer Richtlinie 6.2



Copying of this document and giving it to others and the use of communication of the contents thereof are forbidden without express authority. Offenders are liable to the payment of damages. All rights are reserved in the event of the grant of a patent or the registration of a utility model or design.		Projection	Rev. No.	Rev.-Doc.-No.	Date	Name
			-			
GSIT Helmholtzzentrum für Schwerionenforschung GmbH Planckstrasse 1, 64291 Darmstadt		Surfaces	For information			
		DIN ISO 1302	Dimensions without tolerance indication	Weight	Scale	
		DIN ISO 2768-mK EN ISO 13920-BF	Material	2:1 (1:1)		
	Date	Name	Description			Size
Drawn	15.03.2013	Dorn, C.	Membranbalg Hub 10			A3
Checked			Drawing No.			Rev.
Approved			STD-000-L01.602.000			Sheet 1 of 1
IP	Prev. Dwg. DL 520.010.000		Repl. for			