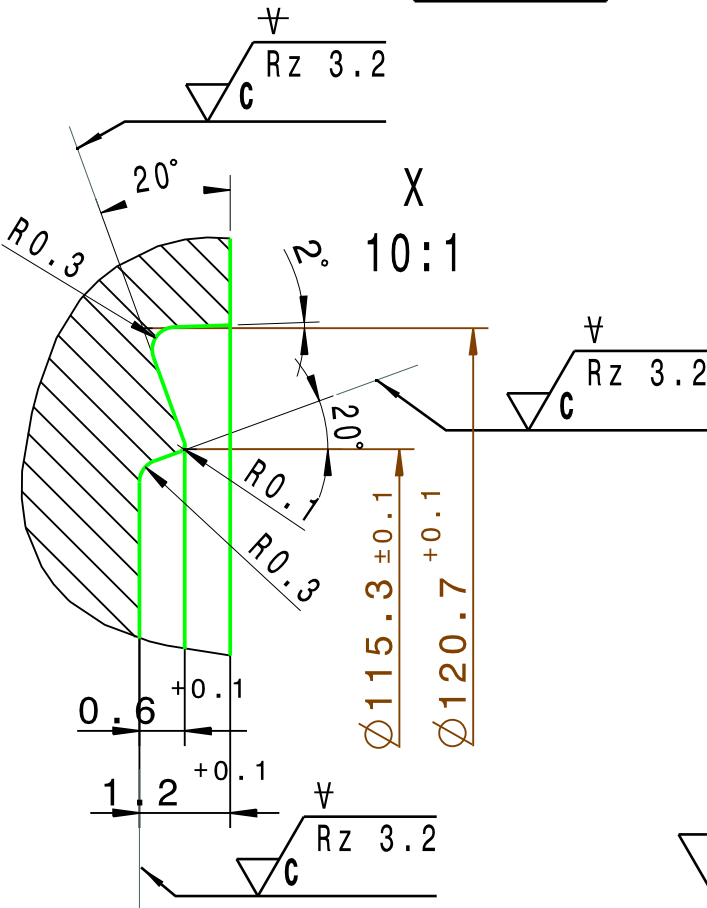
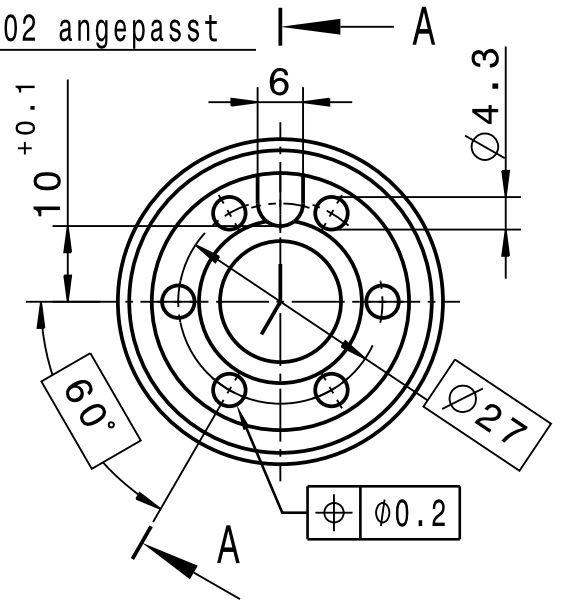
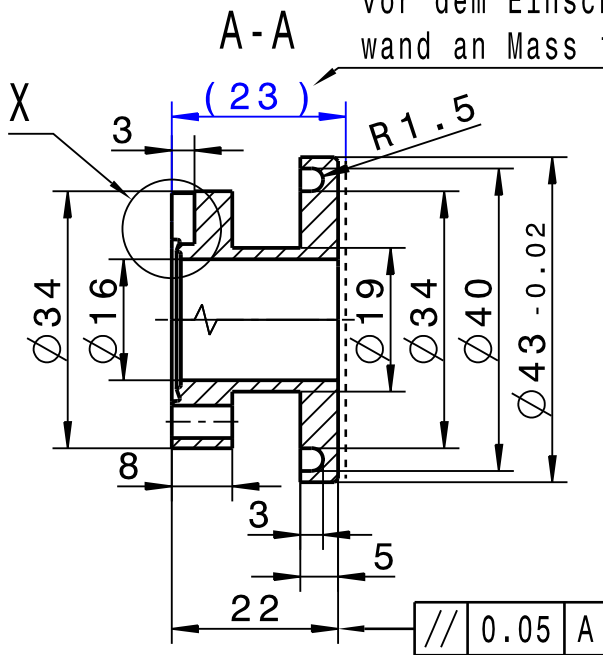
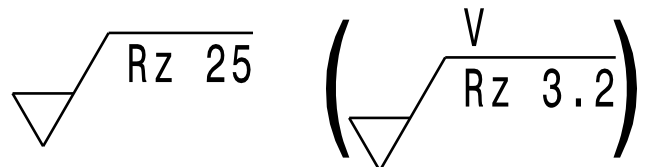
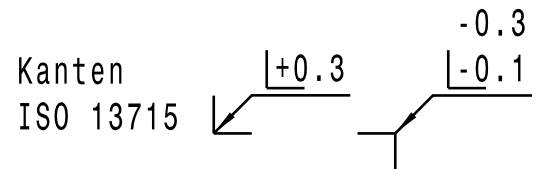


vor dem Einschweissen in die Kammerwand an Mass 187 und 202 angepasst



Schneidkante scharfkantig darf nicht beschaedigt werden

ultraschallgereinigt



Copying of this document and giving it to others and the use of communication of the contents thereof are forbidden without express authority. Offenders are liable to the payment of damages. All rights are reserved in the event of the grant of a patent or the registration of a utility model or design.



Rev. No.	Rev.-Doc.-No.	Date	Name
-			

Surfaces
DIN ISO 1302

For information



Helmholtzzentrum für Schwerionenforschung GmbH
Planckstrasse 1, 64291 Darmstadt

Dimensions without tolerance indication
DIN ISO 2768-mK
EN ISO 13920-BF

Weight
Material
1.4306 (X2CrNi18-9)

Scale
1:1

Date	Name
06.12.2013	Hartung, M.

Description	Size
Stutzen NW 16	A4
Drawing No. STD-000-L01.501.001	Rev. -
	Sheet 1 of 1