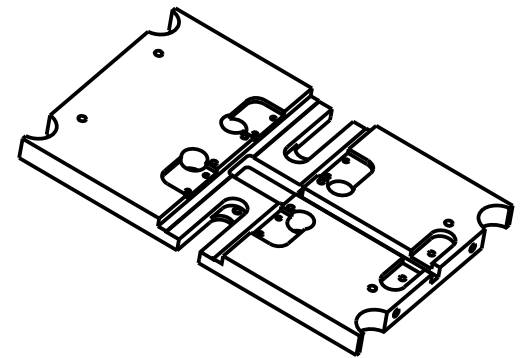
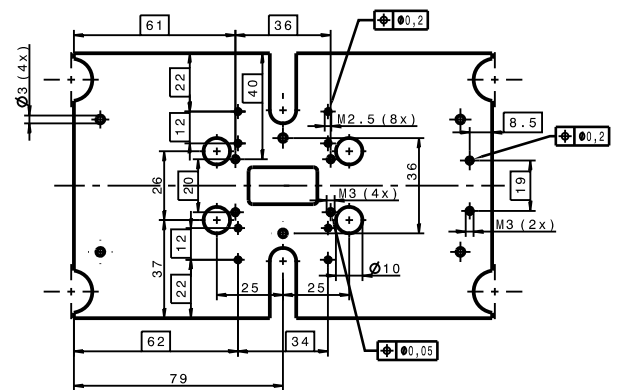


Only for information!



15µm versilbert
ultraschallgereinigt
Fertigung entsprechend
beiliegenden Spezifikationen 04/1, 05/1, 07/1

Kanten ISO 13715 $\sqrt{0.3}$ $\sqrt{0.1}$ $\sqrt{Rz6.3}$ (alle Passungen) $\sqrt{Rz1.0}$

Approval of this document and protection for others and the use of construction of this document are reserved in the event of the grant of a patent or the registration of a utility model or design.		Project No.		Rev. No.	Rev. Date	Date	Name
Mittelstandszentrum für Konstruktionstechnik GmbH Flughafenstr. 1, 40476 Düsseldorf		018 ISO 1392		A			
Date: 07.05.2018		Description: Grundplatte		For information		Scale: 1:1	Sheet: A1
Drawing No.: STD-000-L01.151.001		Drawing to:		Rev.:		Sheet: 1	of: 1
Drawn by:		Checked by:		Approved by:		Rev.:	