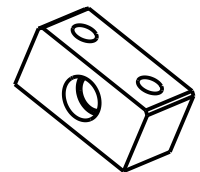
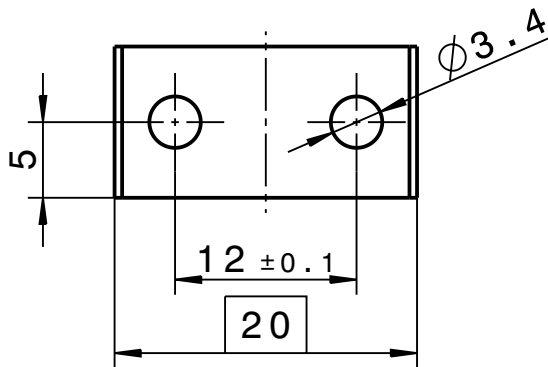
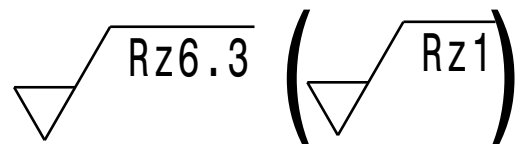
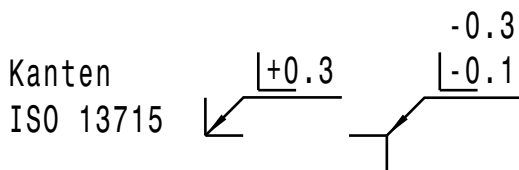


Schubstange mit leichtem Spiel eingepaßt



1:1

Reinigung nach technischer Richtlinie 6.2



Copying of this document and giving it to others and the use of communication of the contents thereof are forbidden without express authority. Offenders are liable to the payment of damages. All rights are reserved in the event of the grant of a patent or the registration of a utility model or design.		Projection 	Rev. No.	Rev.-Doc.-No.	Date	Name
		Surfaces DIN ISO 1302	For information			
GSI Helmholtzzentrum für Schwerionenforschung GmbH Planckstrasse 1, 64291 Darmstadt		Dimensions without tolerance indication DIN ISO 2768-mK EN ISO 13920-BF	Weight Material 1.4301 (X5CrNi18-10)	Scale 2:1 (1:1)		
		Description Fuehrungsstein		Size A4		
Date	Name	Drawing No. STD-000-L01.101.009			Rev. -	Sheet 1 of 1
Drawn 27.03.2013 Hartung, M.	Checked 	Prev. Dwg. U-DB 600.000.090-A			Repl. for	
Approved 		IP				