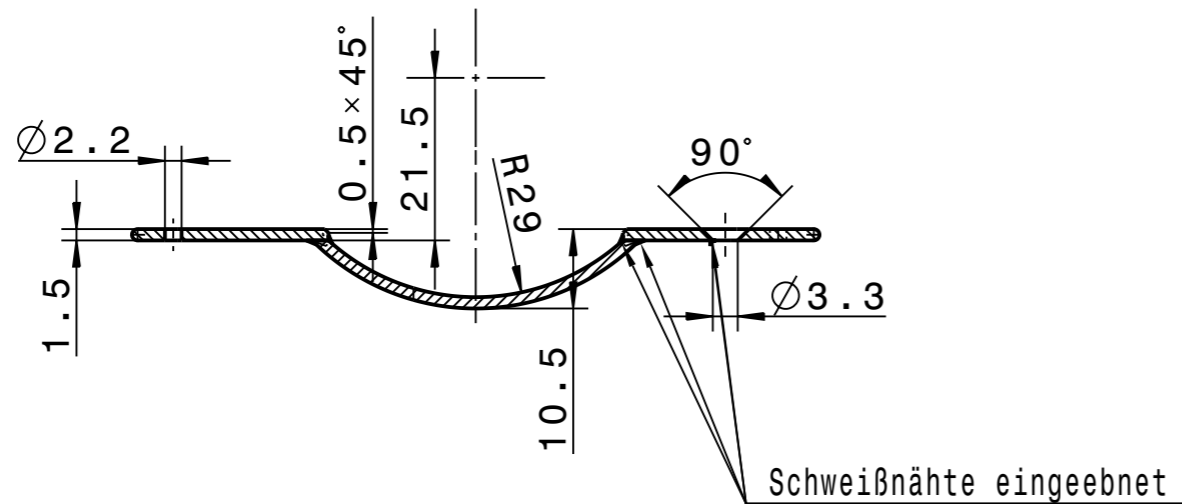


A-A



Kanten ISO 13715  $\begin{matrix} +0.3 \\ -0.1 \end{matrix}$

$\sqrt{Rz6,3}$

alle Ecken und Kanten abgerundet  
Radius ca. 0,75mm

Elektrode von Hand poliert (frei von Kratzern und Riefen)

Reinigung nach Technischer Richtlinie 6.2

Copying of this document and giving it to others and the use of communication of the contents thereof are forbidden without express authority. Offenders are liable to the payment of damages. All rights are reserved in the event of the grant of a patent or the registration of a utility model or design.		Projection	Rev. No.	Rev.-Doc.-No.	Date	Name
			-			
<b>GSIT</b> Helmholtzzentrum für Schwerionenforschung GmbH Planckstrasse 1, 64291 Darmstadt		Surfaces	For information			
		DIN ISO 1302	Dimensions without tolerance indication	Weight	Scale	
Drawn Checked Approved		DIN ISO 2768-mK EN ISO 13920-BF	1.4301 (X5CrNi18-10)	1:1		
		Description Elektrode hinten		Size A3		
Date 25.07.2013		Name Hartung, M.		Drawing No. STD-000-L01.072.000		Rev. -
IP		Prev. Dwg.		Repl. for		Sheet 1 of 1