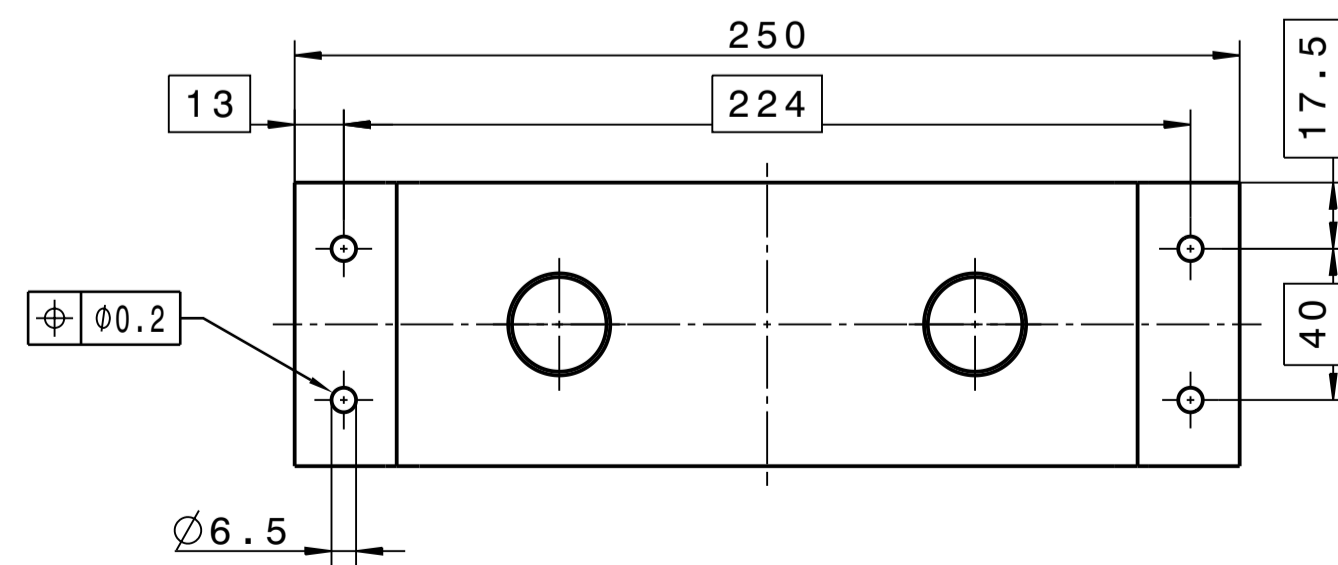
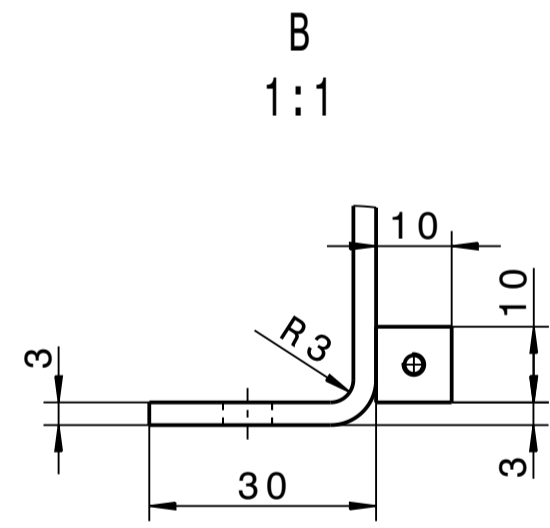
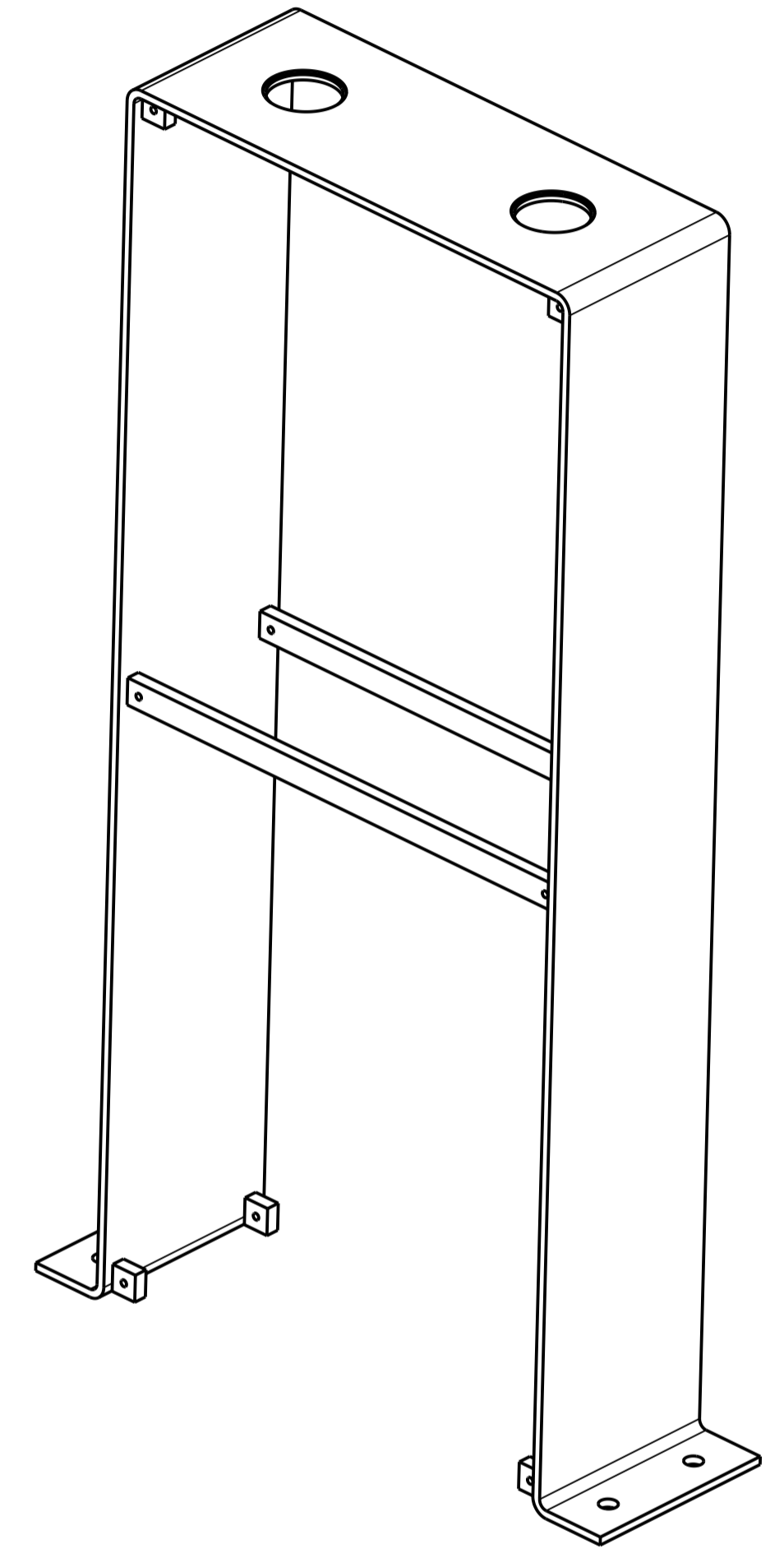
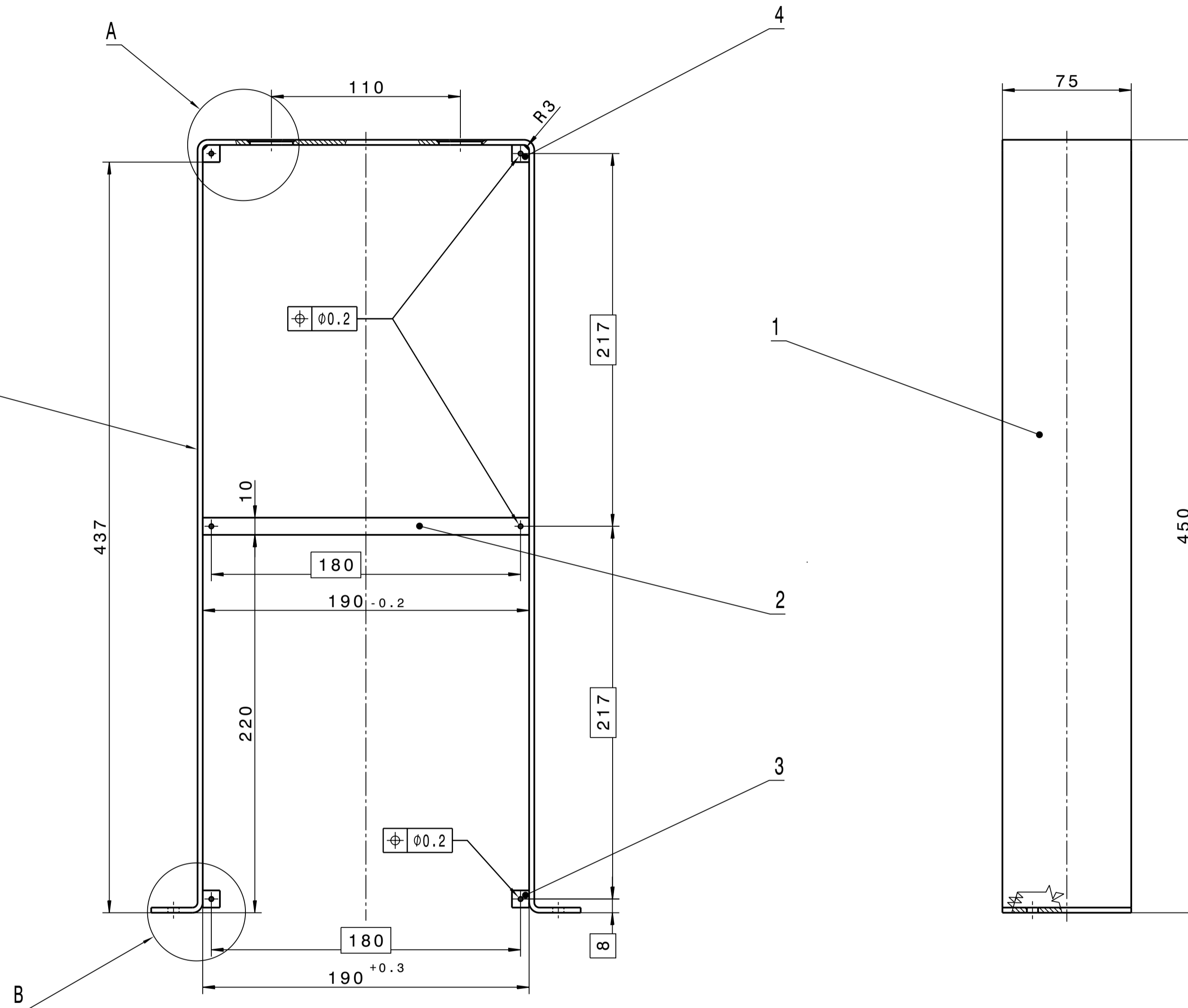


gestreckte Laenge: 1150mm



Kanten ISO 13715

+0.3  
-0.3  
-0.1

√ RZ 25

Copying of this document and giving it to others and the use of communication of the contents thereof are forbidden without express authority. Offenders are liable to the payment of damages. All rights are reserved in the event of the grant of a patent or the registration of a utility model or design.		Projection 	Rev. No. -	Rev.-Doc.-No. -	Date -	Name -
<b>GSi</b> Helmholtzzentrum für Schwerionenforschung GmbH Planckstrasse 1, 64291 Darmstadt		Surfaces DIN ISO 1302	For information			
Dimensions without tolerance indication DIN ISO 2768-mK EN ISO 13920-BF		Weight Material 1.4301 (X5CrNi18-10)	Scale 1:2 (1:1)			
Drawn 17.09.2013 H. Hartung, M.	Checked -	Approved -	Description Rahmen	Size A1	Drawing No. STD-000-L01.006.000	
Rev. -			Sheet 1 of 1	Prev. Dwg. DK 480.030		