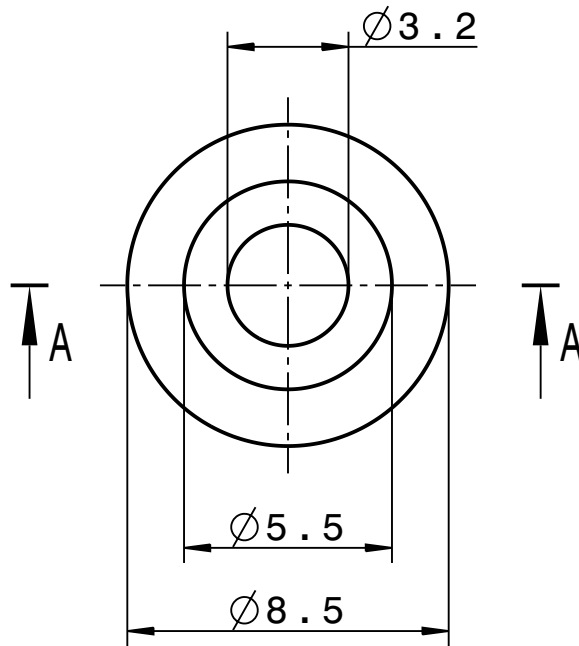
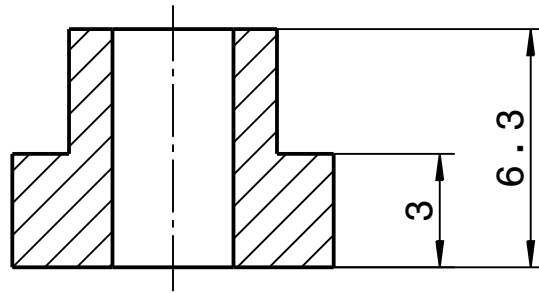


A-A



Kanten  
ISO 13715

$\sqrt{+0.3}$

$\sqrt{-0.1}$

$\sqrt{-0.3}$

$\sqrt{Rz 25}$

Copying of this document and giving it to others and the use of communication of the contents thereof are forbidden without express authority. Offenders are liable to the payment of damages. All rights are reserved in the event of the grant of a patent or the registration of a utility model or design.		Projection 	Rev. No.	Rev.-Doc.-No.	Date	Name
		Surfaces DIN ISO 1302	For information			
 Helmholtzzentrum für Schwerionenforschung GmbH Planckstrasse 1, 64291 Darmstadt		Dimensions without tolerance indication DIN ISO 2768-mK EN ISO 13920-BF	Weight	Scale 5:1		
			Material Aluminiumoxid 99,7%			
Date	Name	Description				Size
Drawn	02.12.2013	Hartung, M.				A4
Checked						
Approved		Drawing No. DB012.000.090			Rev. -	Sheet 1 of 1
IP	Prev. Dwg.			Repl. for		